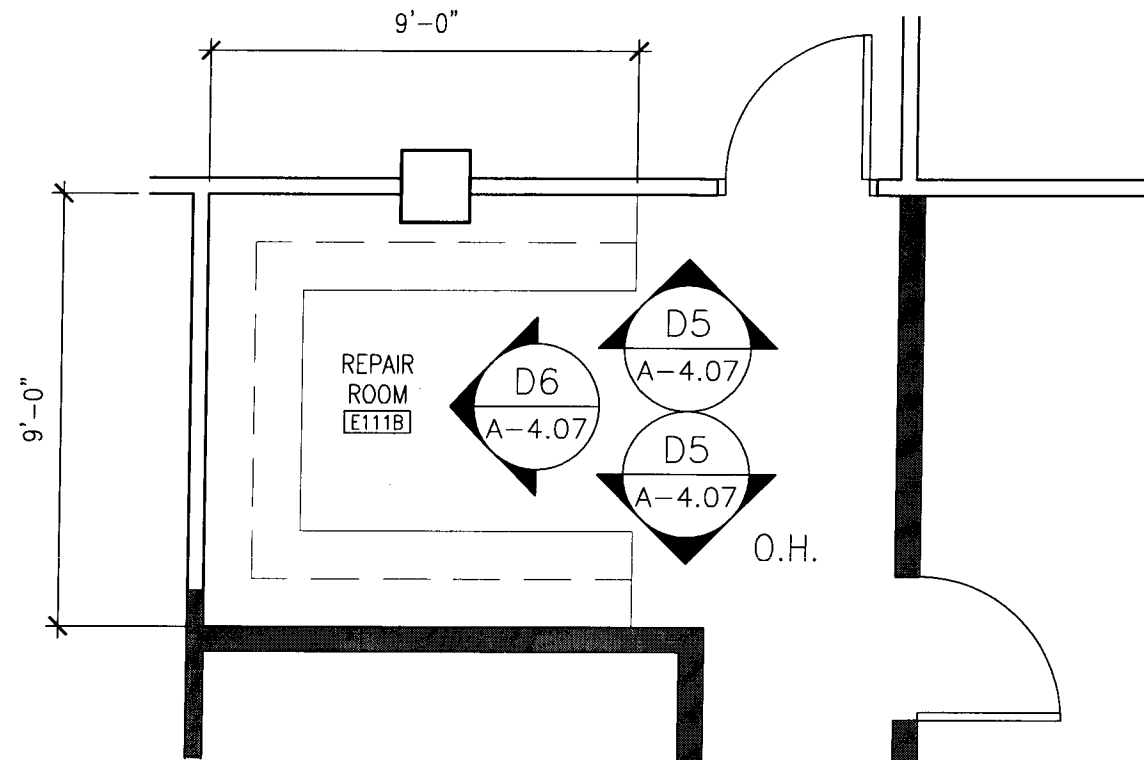


REF: A5/A-4.01
D2/A-4.01 MAIN LEVEL PARTIAL PLAN

Scale: 1/8" = 1'-0"

RELEASERS / DATES	
NOT FOR CONSTRUCTION	<input type="checkbox"/>
RELEASED FOR CONSTRUCTION	<input checked="" type="checkbox"/>
PROJECT TITLE	The University of Alabama School of Law
OWNER	University of Alabama Construction Administration Box 870382 Tuscaloosa, AL 35487-0382
PATH	P:\03612-001\5CD11521
FILENAME	A-401.dwg
DATE	03/09/05
DRAWN	sk
REVIEWED	
SHEET TITLE	ADDENDA #3 PLAN MODIFICATIONS
PROJECT NUMBER	DRAWING NUMBER
03612-00	A-4.01a
SHEET	X OF X

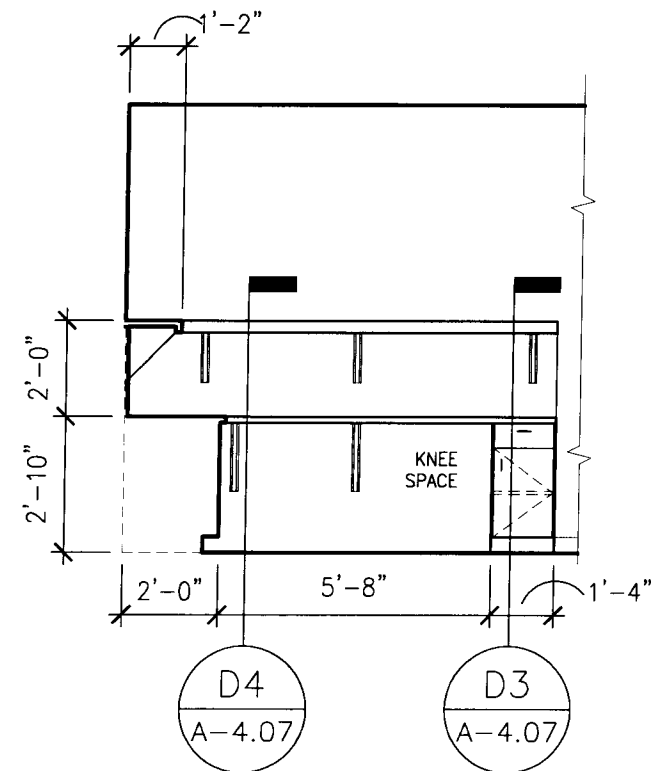
KPS-NCS-RS11-001207



REF: D5/A-4.01

E5/A-4.07 PARTIAL FLOOR PLAN - REPAIR ROOM E111B

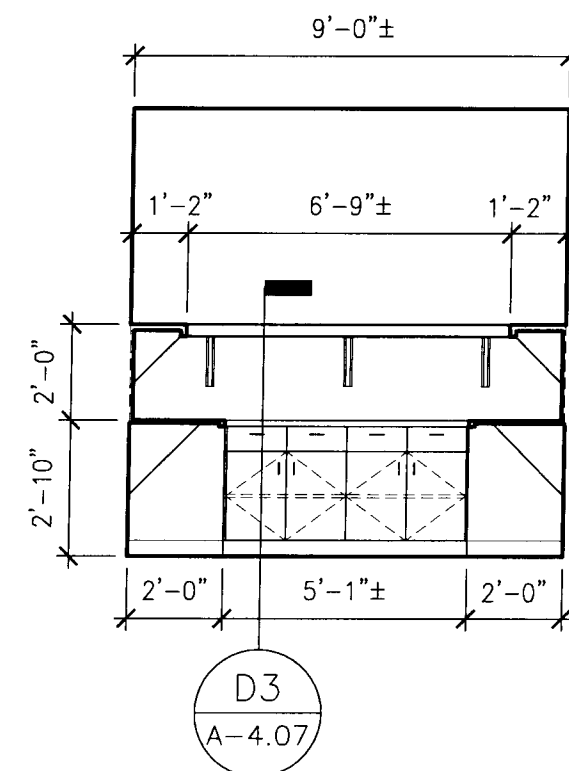
Scale: 1/4" = 1'-0"



REF: E5/A-4.07

D5/A-4.07 INTERIOR ELEVATION

Scale: 1/4" = 1'-0"



REF: E5/A-4.07

D6/A-4.07 INTERIOR ELEVATION

Scale: 1/4" = 1'-0"

RELEASES / DATES

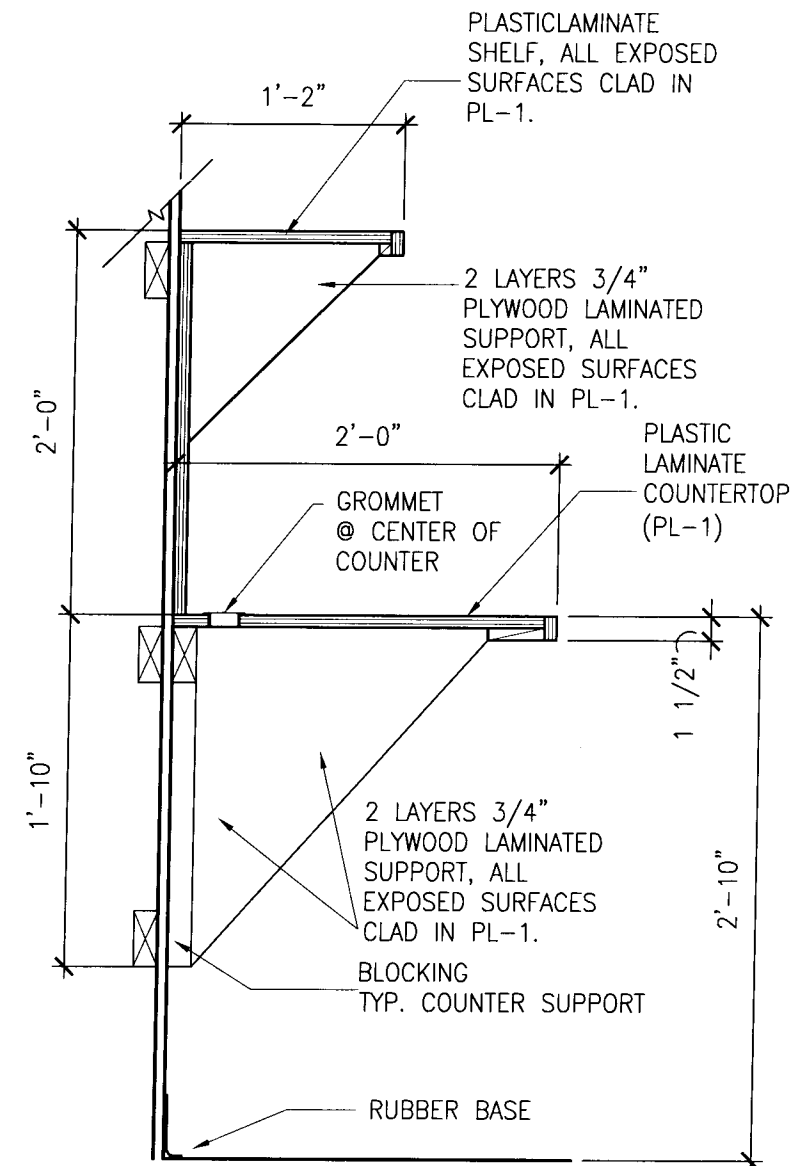
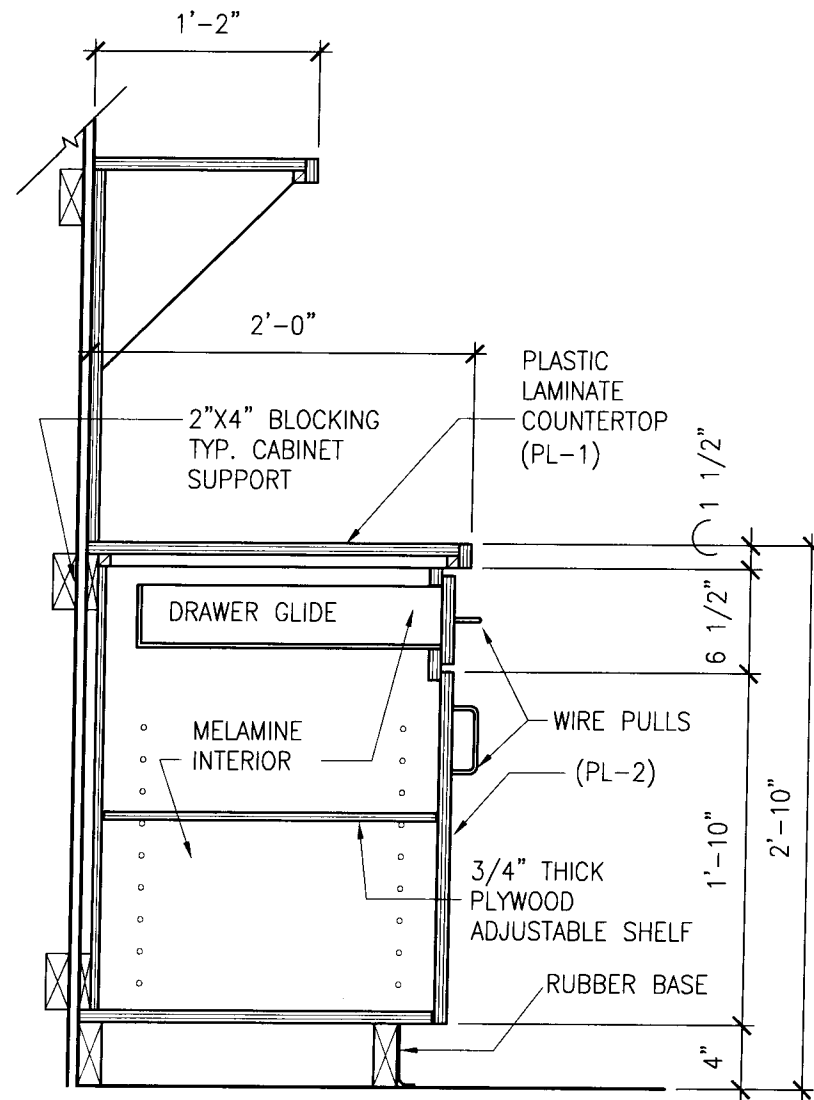
NOT FOR CONSTRUCTION
RELEASED FOR CONSTRUCTION

PROJECT TITLE
The University of Alabama School of Law
OWNER
University of Alabama Construction Administration
Box 870382
Tuscaloosa, AL 35487-0382

PATH: P:\03612-001\5CD\1.5.21
FILENAME: A-412-Law.dwg
DATE: 03/09/05
DRAWN: sk
REVIEWED: -

SHEET TITLE
ADDENDA #3
ADDITIONAL CASEWORK

PROJECT NUMBER: 03612-00
DRAWING NUMBER: A-4.07a
SHEET: x OF x



REF: D5/A-4.07 D6/A-4.07

REF: D5/A-4.07

D3/A-4.07 BASE CABINET

D4/A-4.07 COUNTER

Scale: 1/2" = 1'-0"

Scale: 1/2" = 1'-0"

RELEASES / DATES

NOT FOR CONSTRUCTION
RELEASED FOR CONSTRUCTION

PROJECT TITLE

The University
of Alabama School
of Law

OWNER
University of Alabama Construction Administration
Box 870382
Tuscaloosa, AL 35487-0382

PATH P:\03612-001\SCD11.5.21

FILENAME A-412-Law.dwg

DATE 03/09/05

DRAWN sk

REVIEWED -

SHEET TITLE

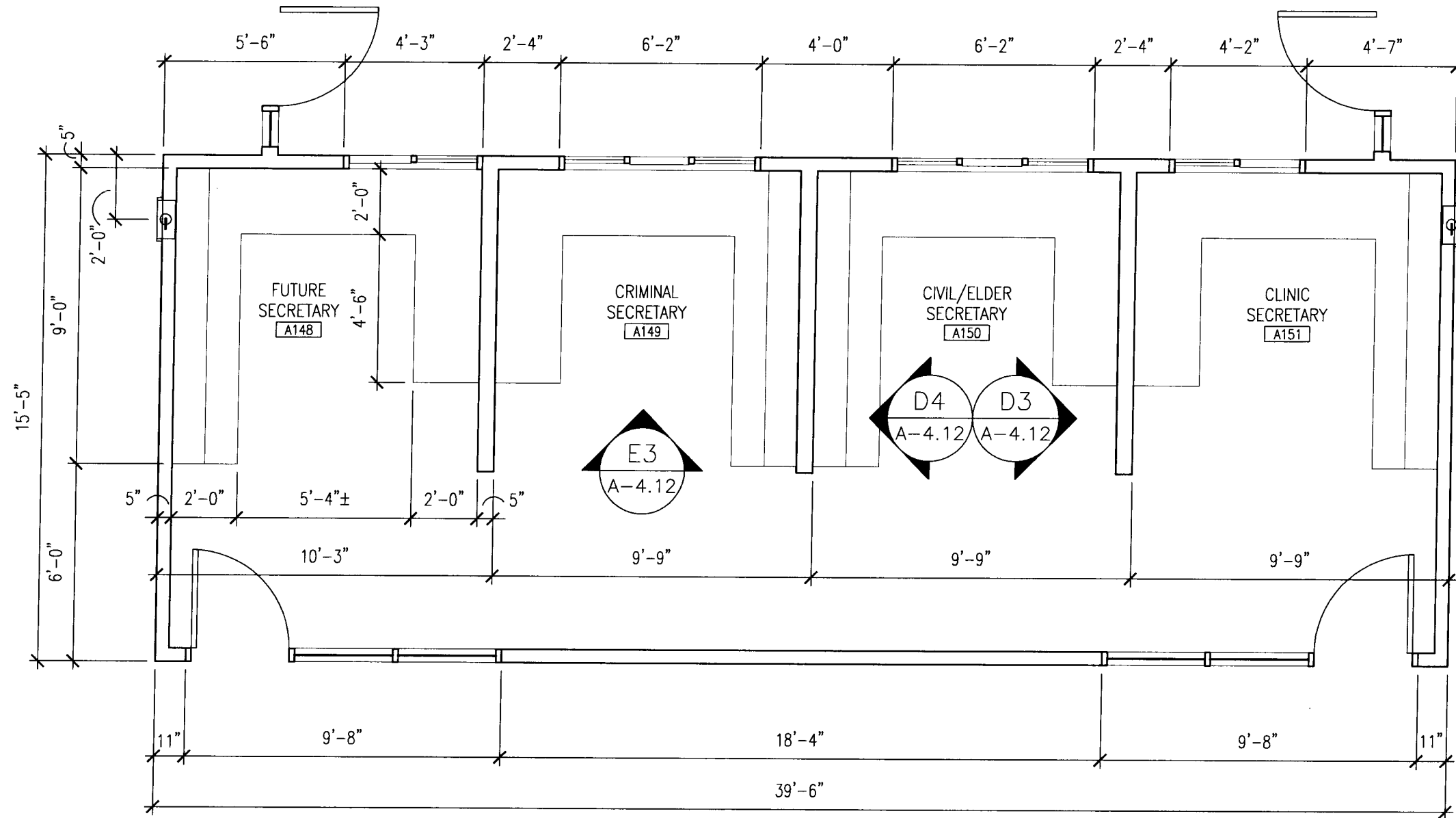
ADDENDA #3

ADDITIONAL CASEWORK

PROJECT NUMBER DRAWING NUMBER

03612-00 A-4.07b

SHEET X OF X



RELEASES / DATES

NOT FOR CONSTRUCTION
RELEASED FOR CONSTRUCTION

PROJECT TITLE
The University of Alabama School of Law
OWNER
University of Alabama Construction Administration
Box 870382
Tuscaloosa, AL 35487-0382

PATH: P:\03612-001\SCD115.21
FILENAME: A-412 Law.dwg

DATE: 03/09/05
DRAWN: sk
REVIEWED: —

SHEET TITLE
ADDENDA #3
CASEWORK MODIFICATIONS

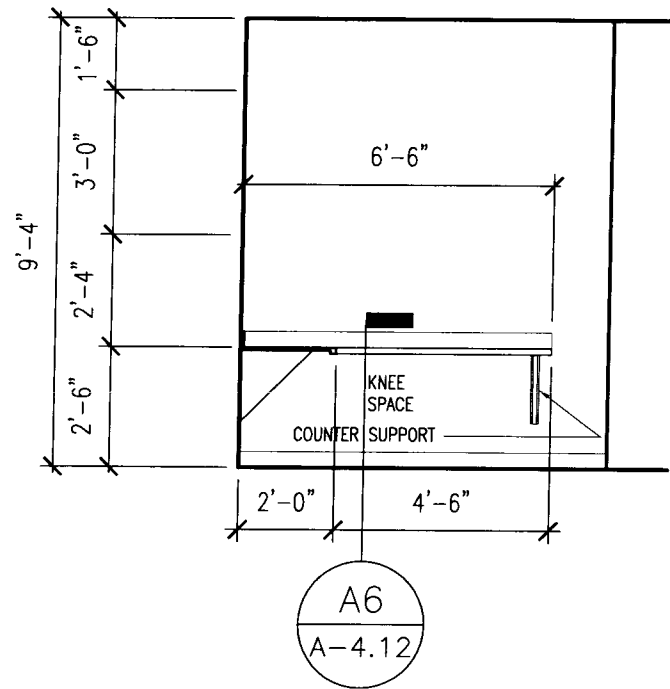
PROJECT NUMBER: 03612-00
DRAWING NUMBER: A-4.12a
SHEET: x OF x

REF: A1/A-1.11

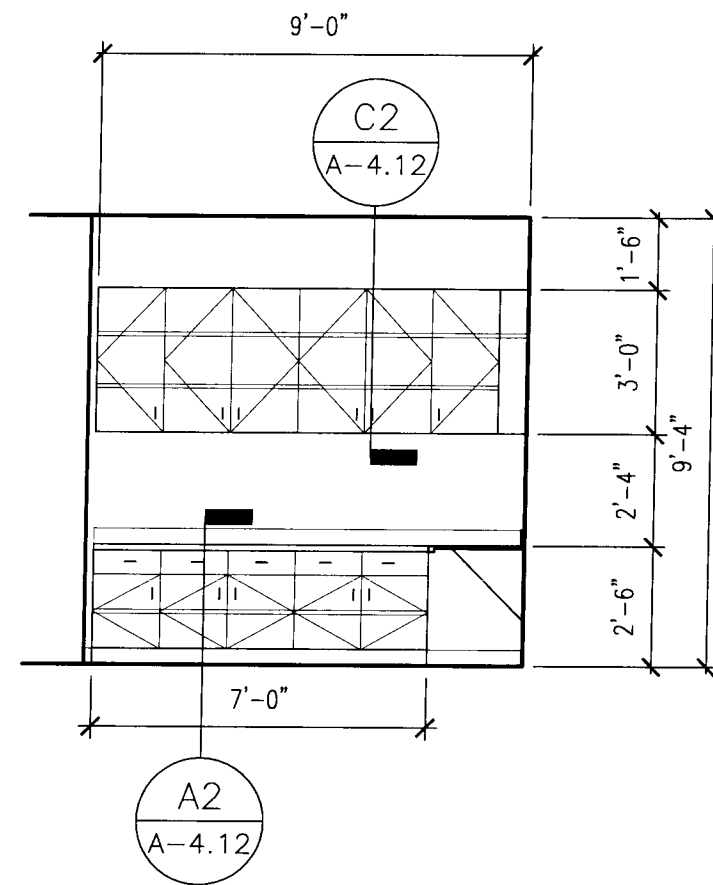
D5/A-4.12 PARTIAL FLOOR PLAN

Scale: 1/4" = 1'-0"

KPS NCS 8511 001207



REF: D5/A-4.12



REF: D5/A-4.12

D3/A-4.12 INTERIOR ELEVATION

Scale: 1/4" = 1'-0"

D4/A-4.12 INTERIOR ELEVATION

Scale: 1/4" = 1'-0"

KPS-NCS 8511 00-207

xx/xx-x.xx NOT USED

Scale: X = X

xx/xx-x.xx NOT USED

Scale: X = X

RELEASES / DATES

NOT FOR CONSTRUCTION
RELEASED FOR CONSTRUCTION

PROJECT TITLE

**The University
of Alabama School
of Law**

OWNER
University of Alabama Construction Administration
Box 870382
Tuscaloosa, AL 35487-0382

PATH: P:\03612-001\SCD11.521
FILENAME: A-412-Law.dwg

DATE: 03/08/05
DRAWN: sk
REVIEWED: —

SHEET TITLE

ADDENDA #3
CASEWORK MODIFICATIONS

PROJECT NUMBER DRAWING NUMBER

03612-00 A-4.12b

SHEET X OF X