

DATE ISSUED:	21 JUNE 2010
REVISED:	
REVISED:	
REVISED:	
REVISED:	
DRAWN BY:	RAB,BJM
CHECKED BY:	CEV
PHASE:	

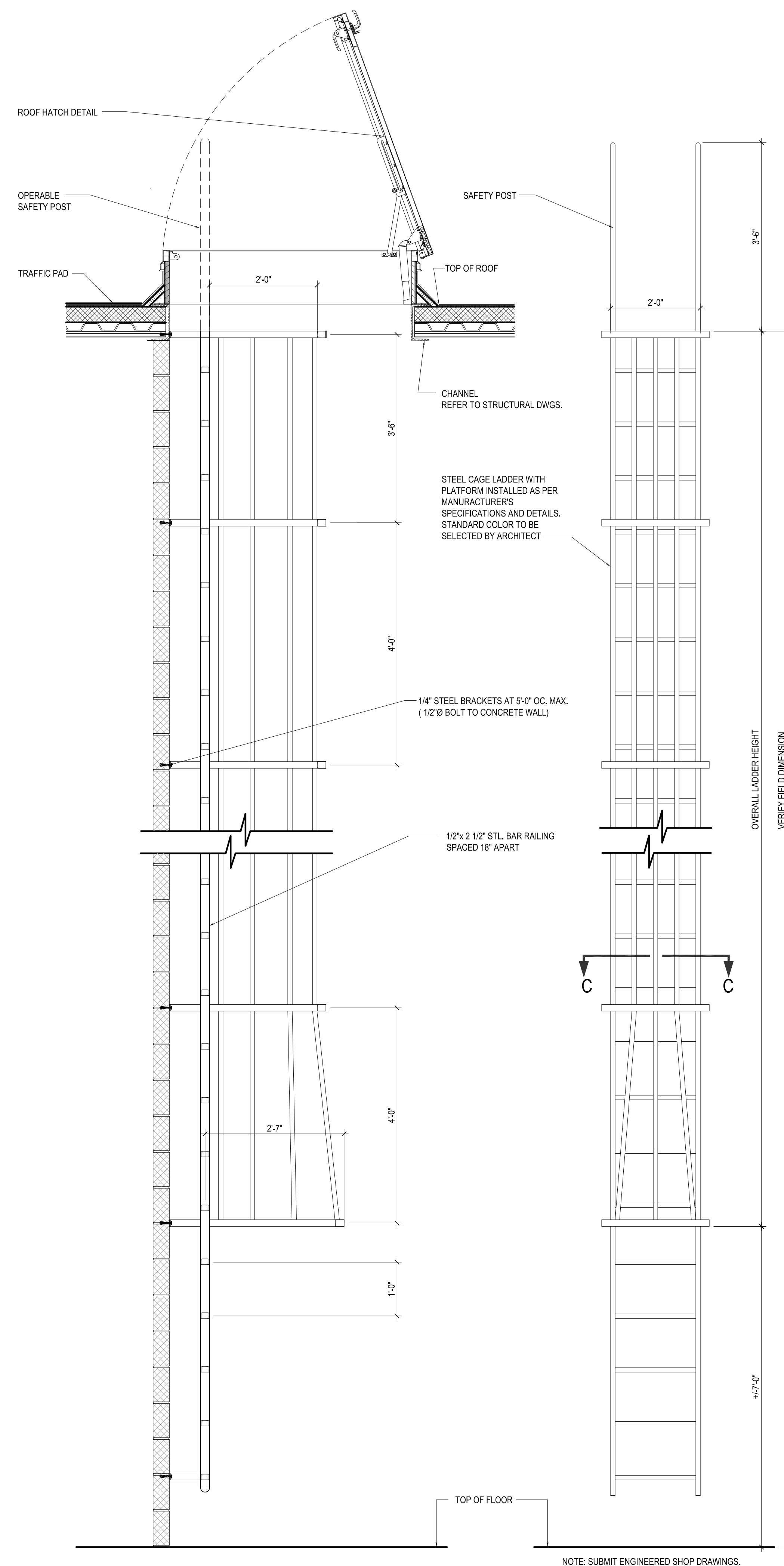
100% CONSTRUCTION DOCUMENTS

09013B

TITLE:  
ROOF ACCESS DETAILS

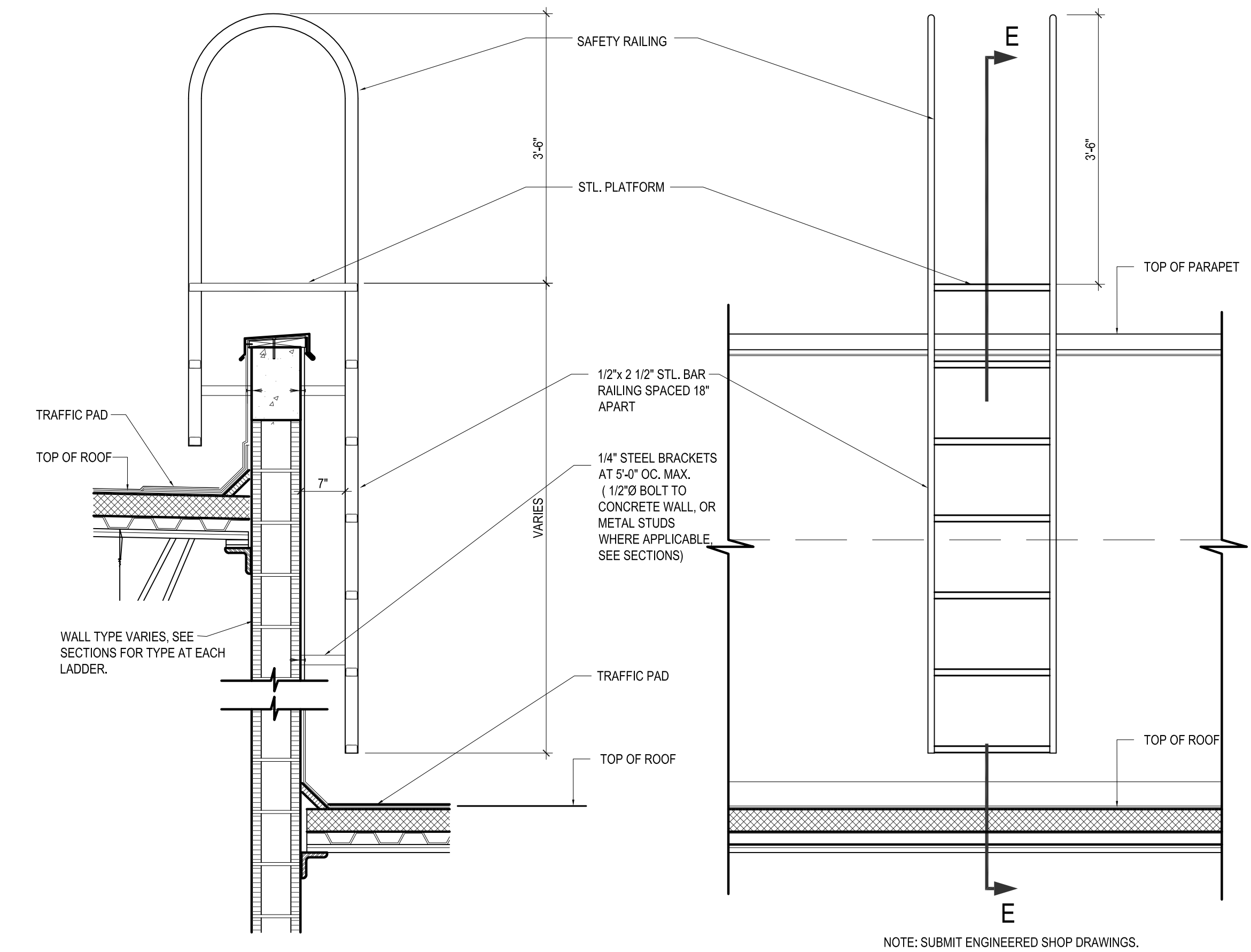
SHEET:

A1.24



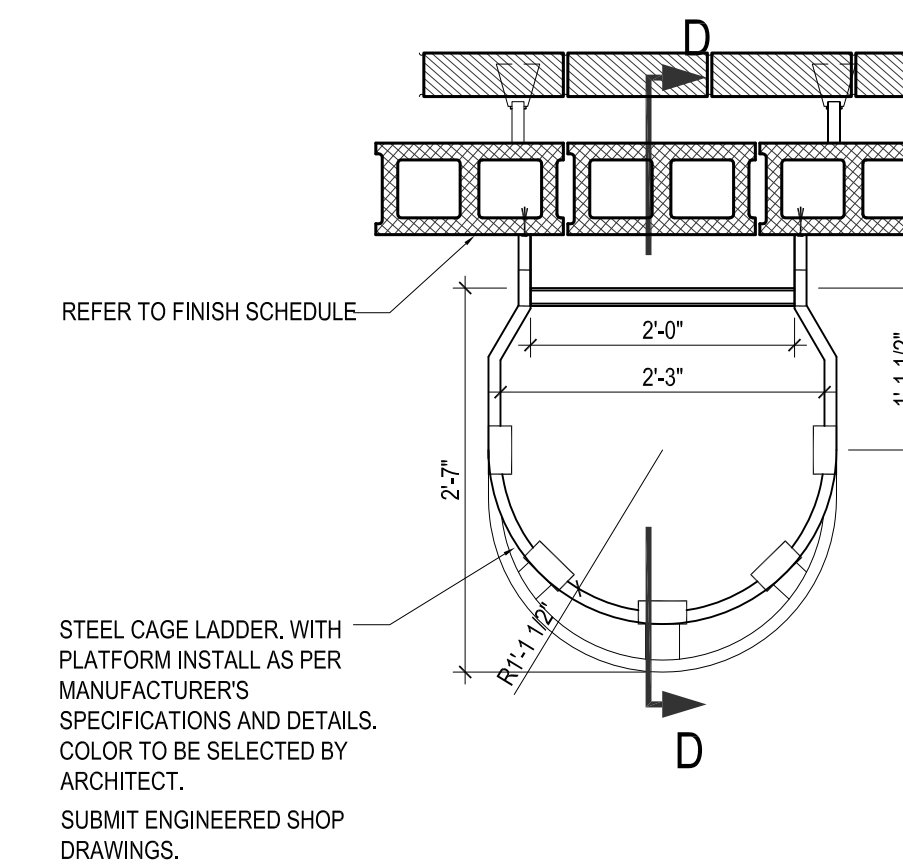
5 SECTION D-D  
A1.24 3/4" = 1'-0"

4 SAFETY CAGE LADDER  
A1.24 3/4" = 1'-0"

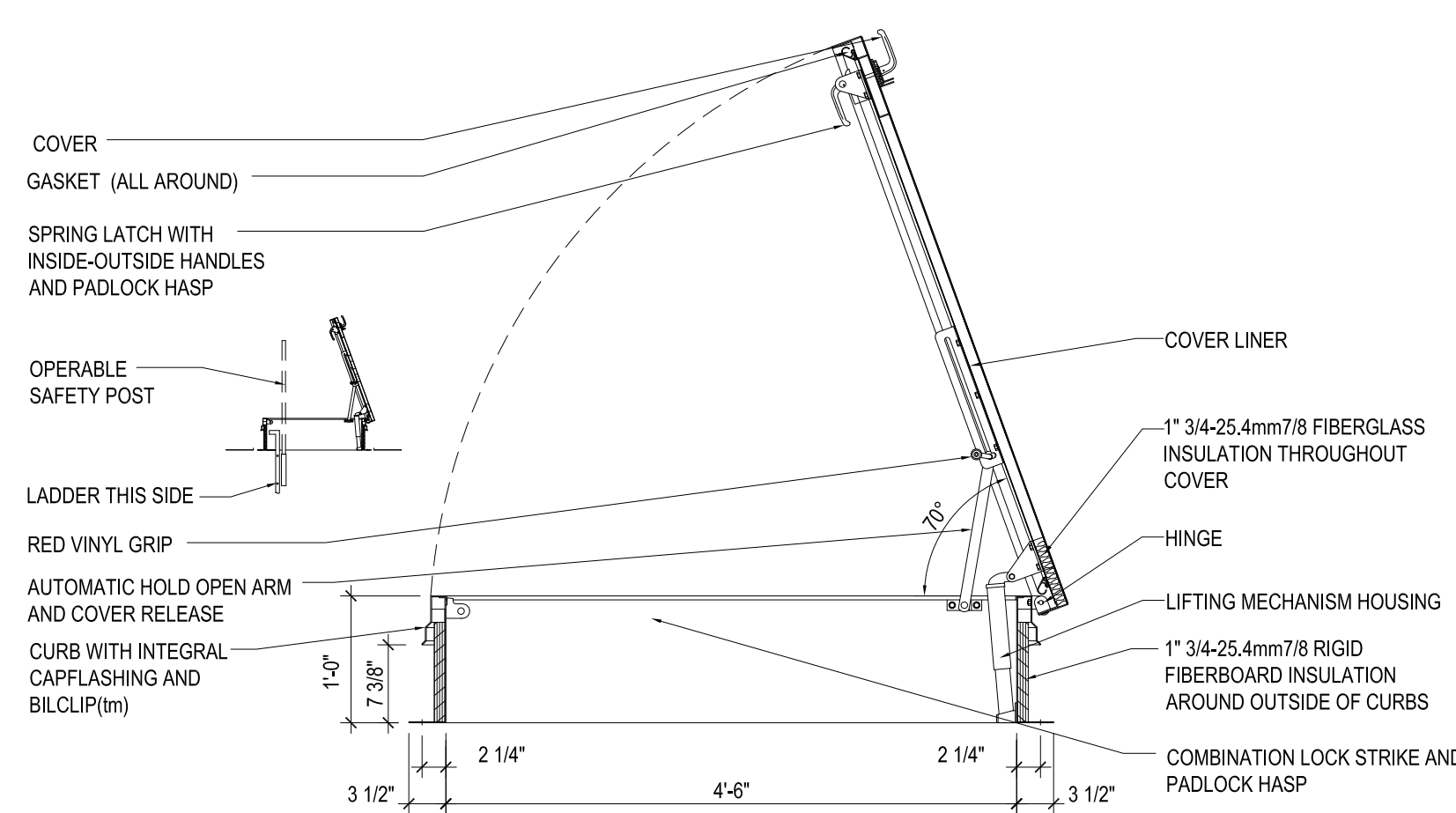


2 SECTION EE  
A1.24 3/4" = 1'-0"

1 ROOF LADDER  
A1.24 3/4" = 1'-0"



3 SECTION C-C  
A1.24 3/4" = 1'-0"



6 ROOF HATCH DETAIL  
A1.24 3/4" = 1'-0"

NOTE: SUBMIT ENGINEERED SHOP DRAWINGS.