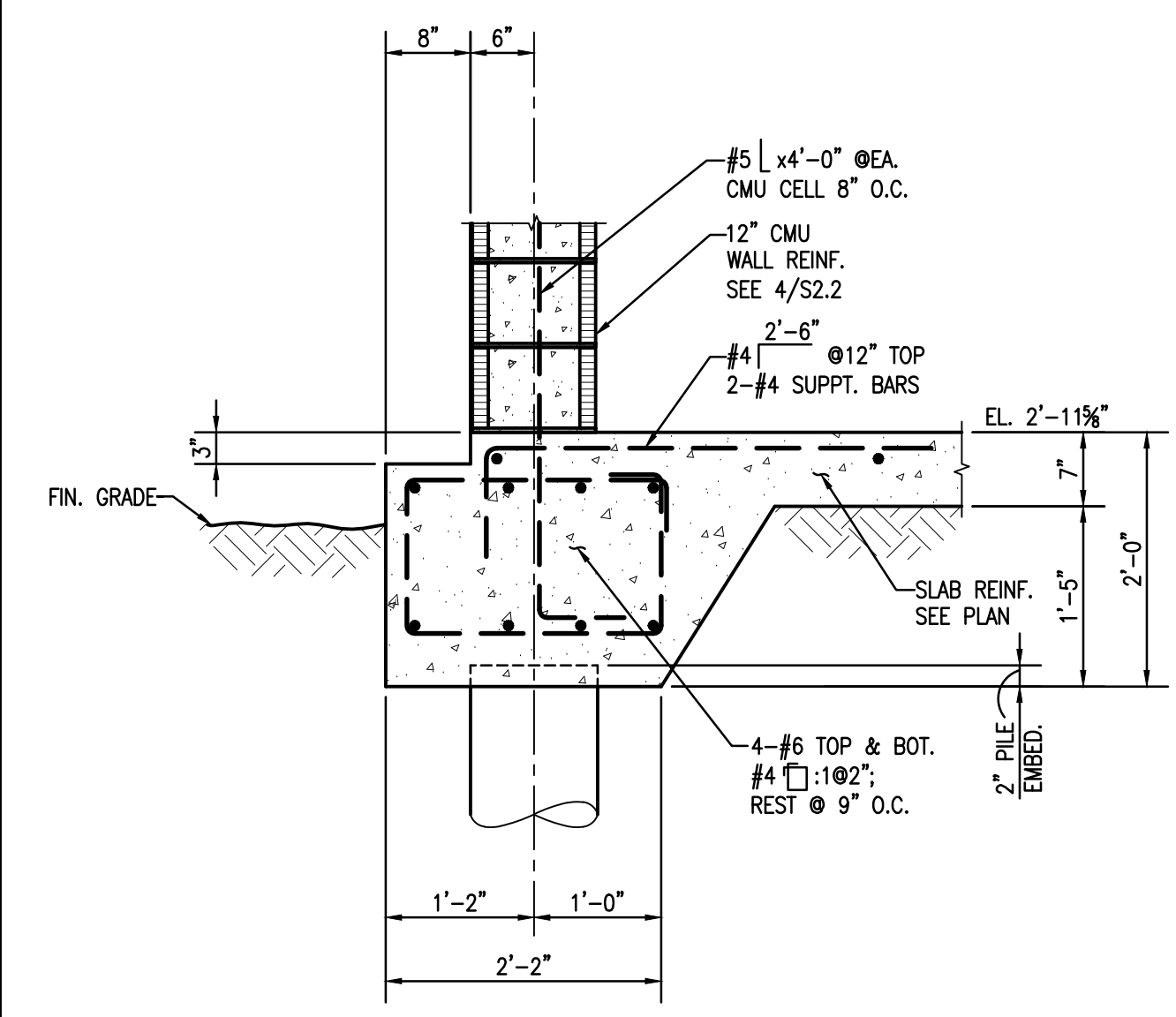
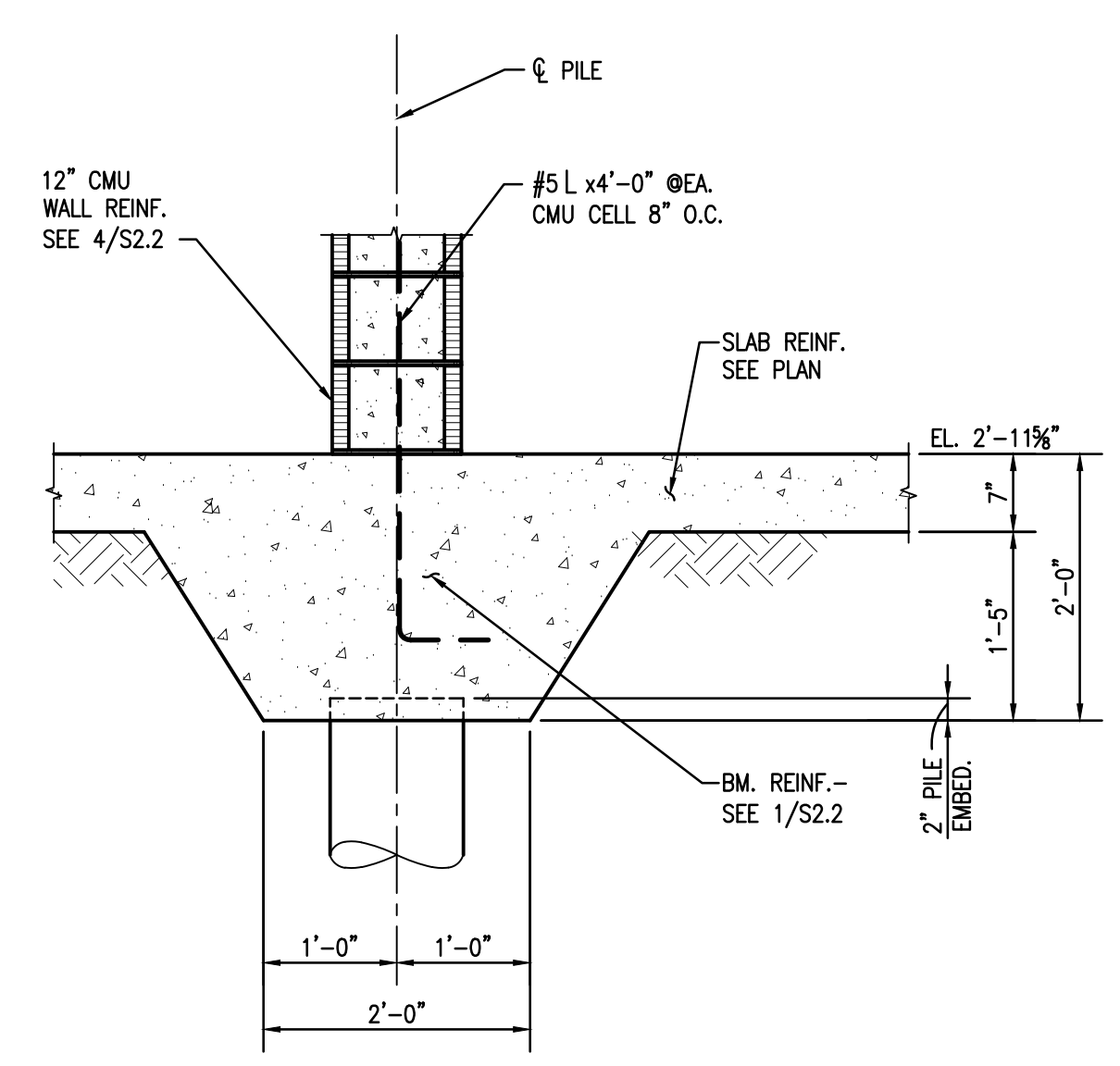


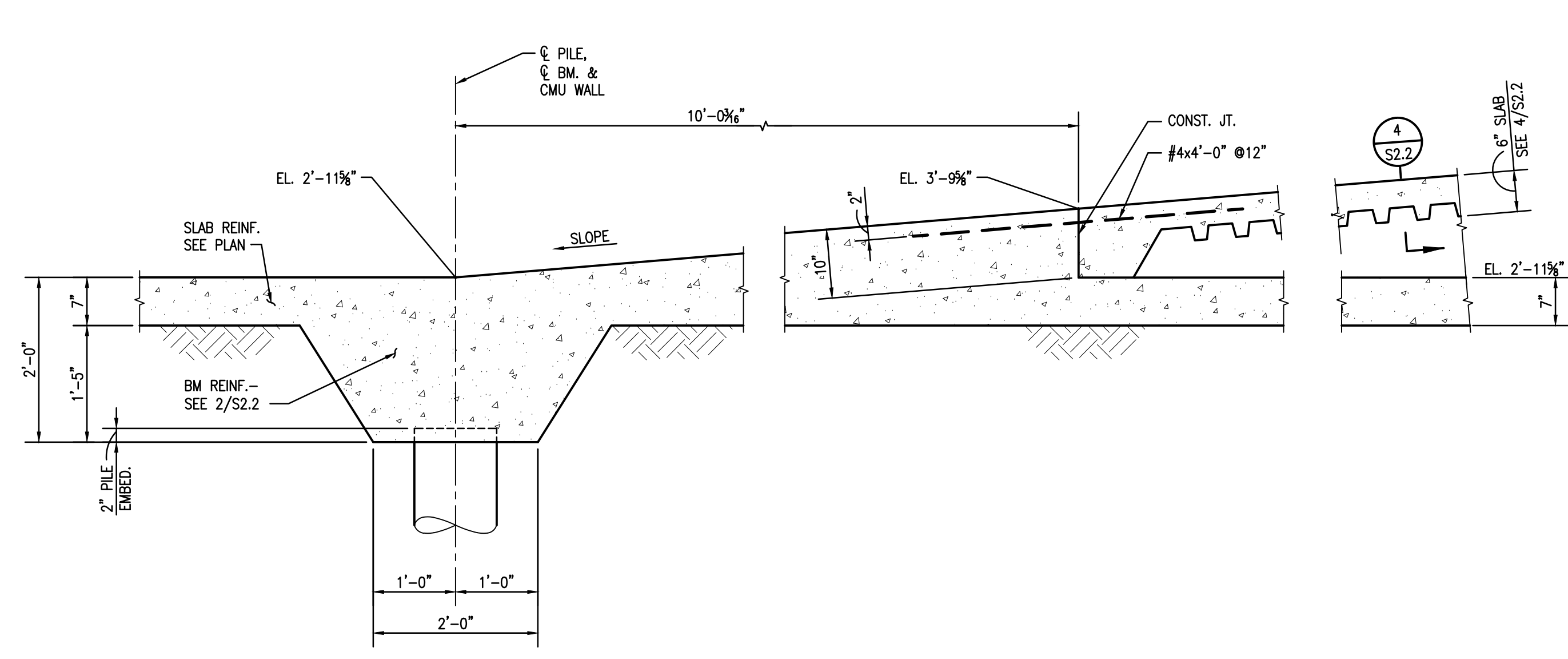
THIS REVISED SHEET S2.2 IS ATTACHMENT #x TO ADDENDUM #1 32



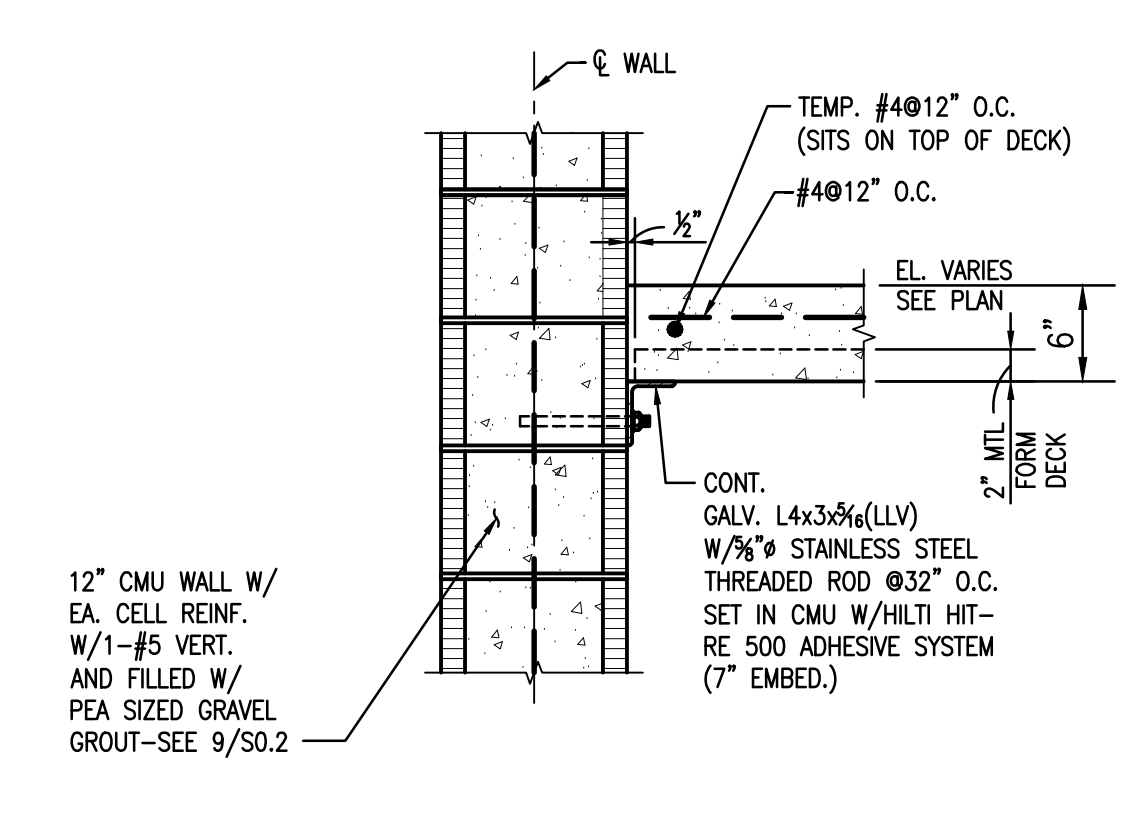
1 SECTION
S2.2 3/4"=1'-0"



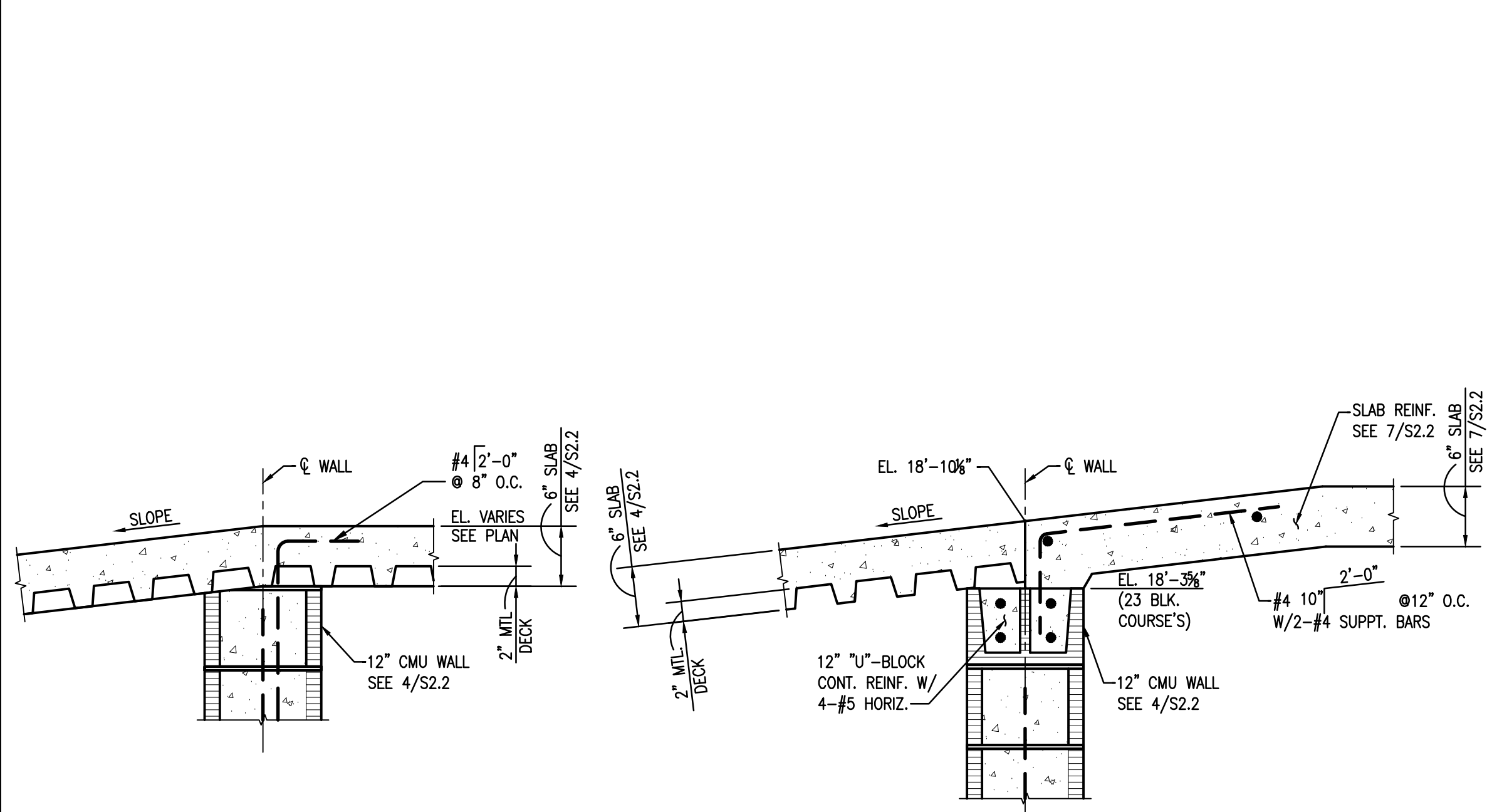
2 SECTION
S2.2 3/4"=1'-0"



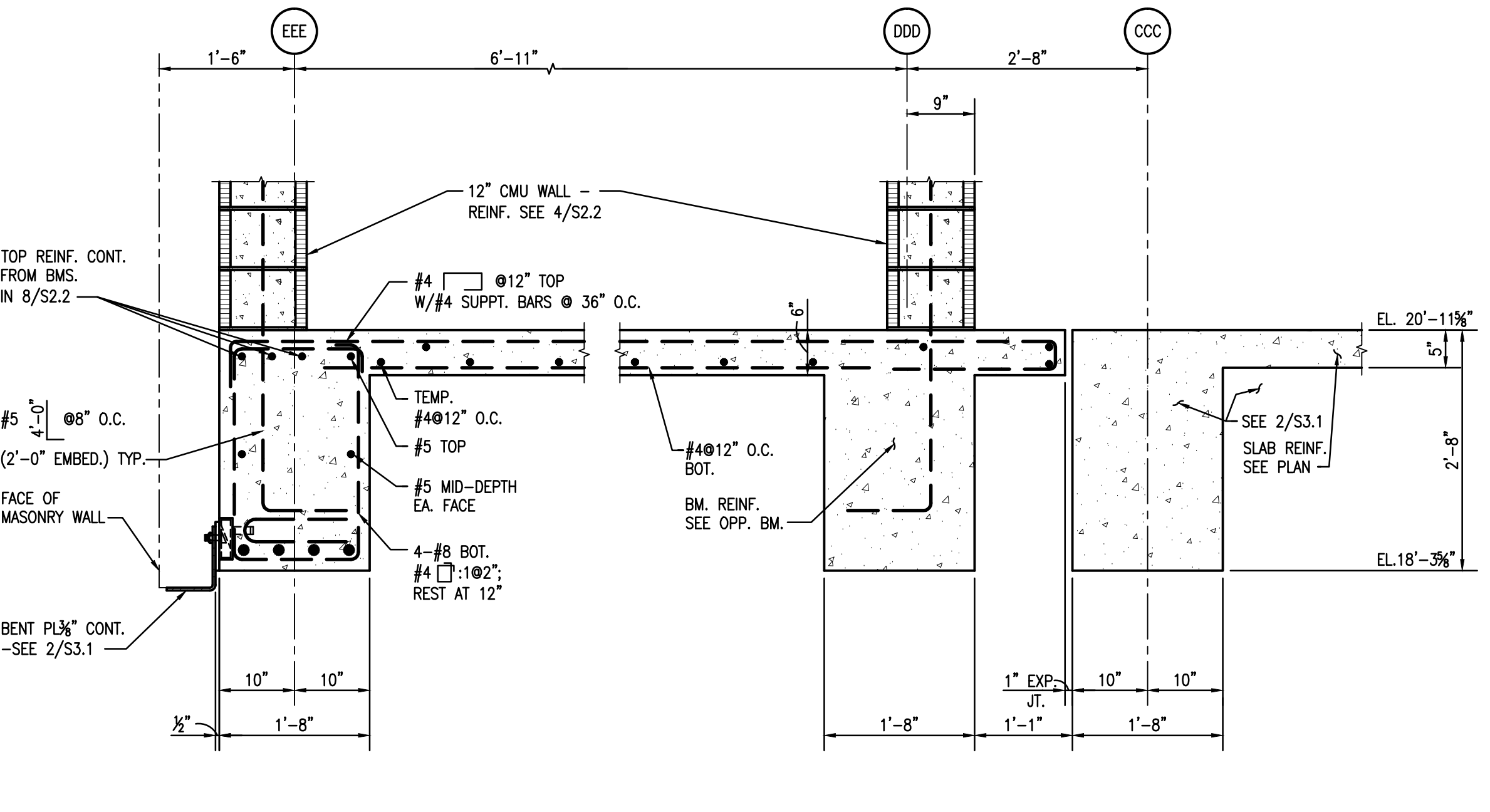
3 SECTION
S2.2 3/4"=1'-0"



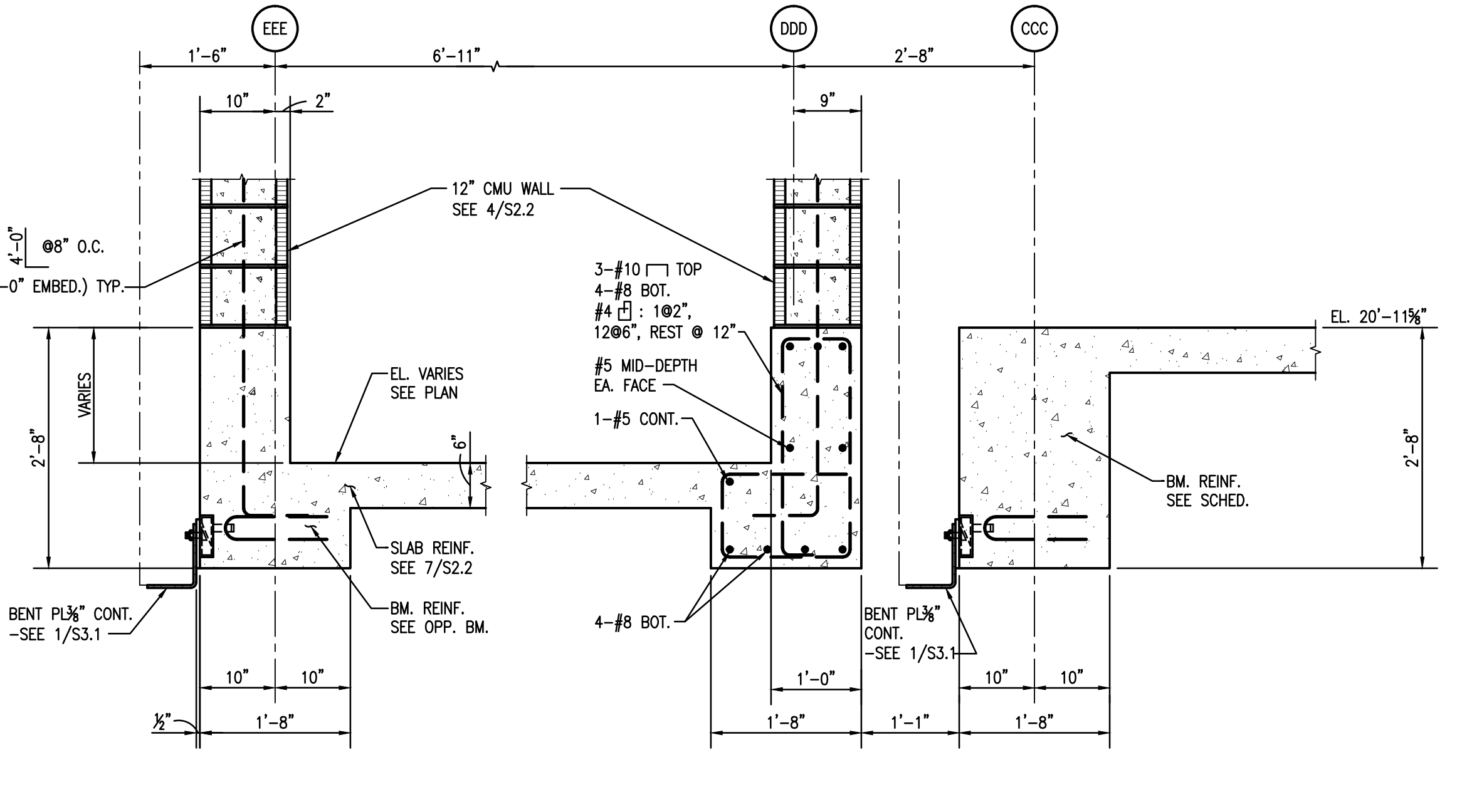
4 SECTION
S2.2 1"=1'-0"



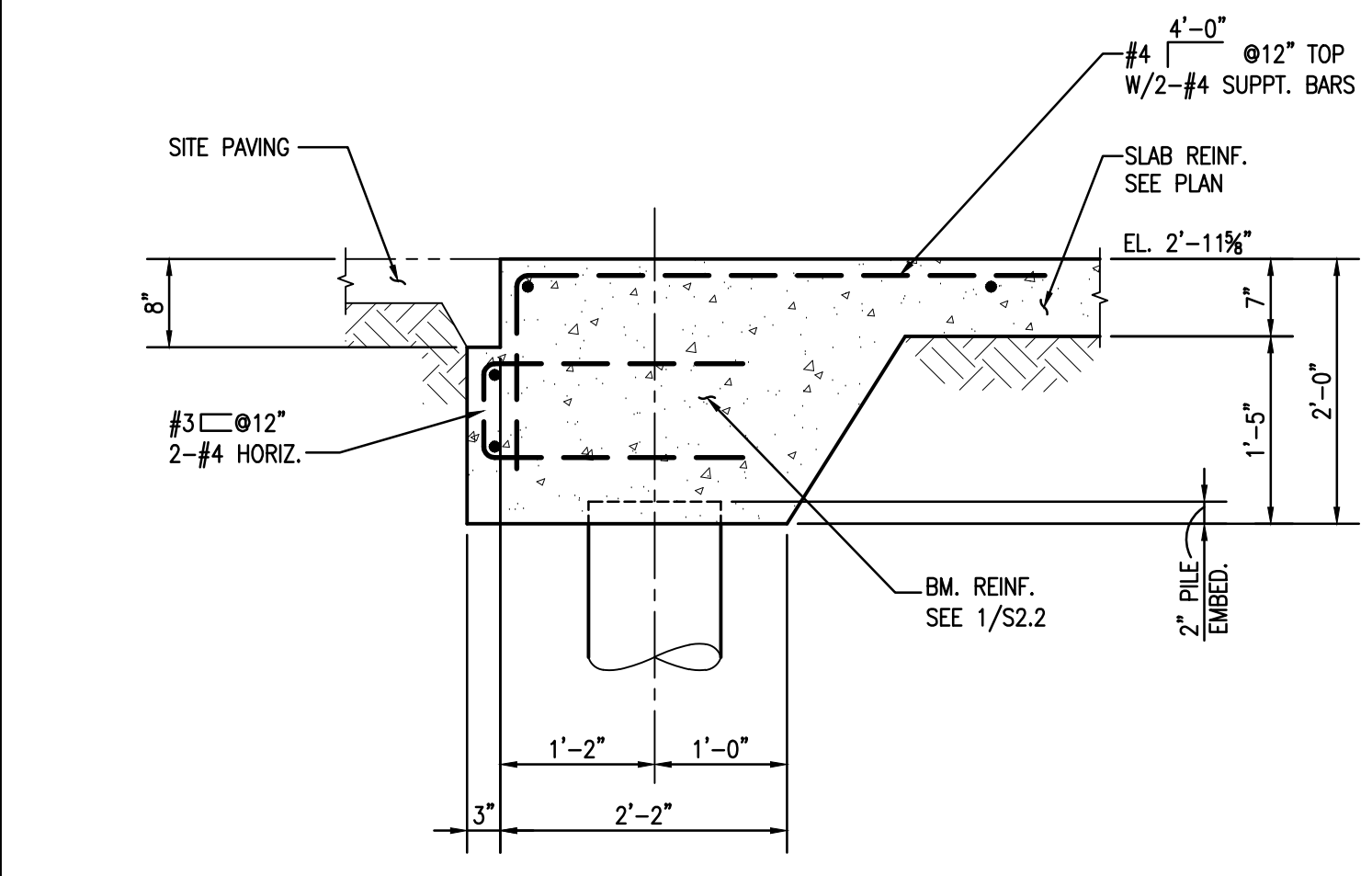
5 SECTION
S2.2 1"=1'-0"



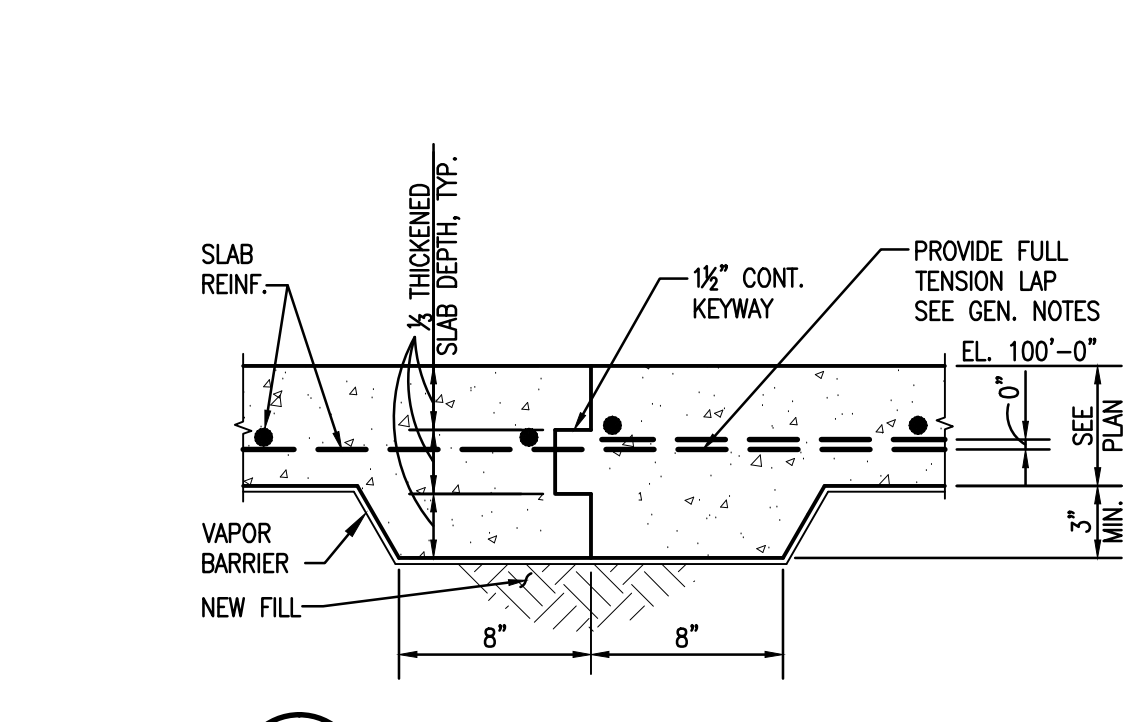
7 SECTION
S2.2 3/4"=1'-0"



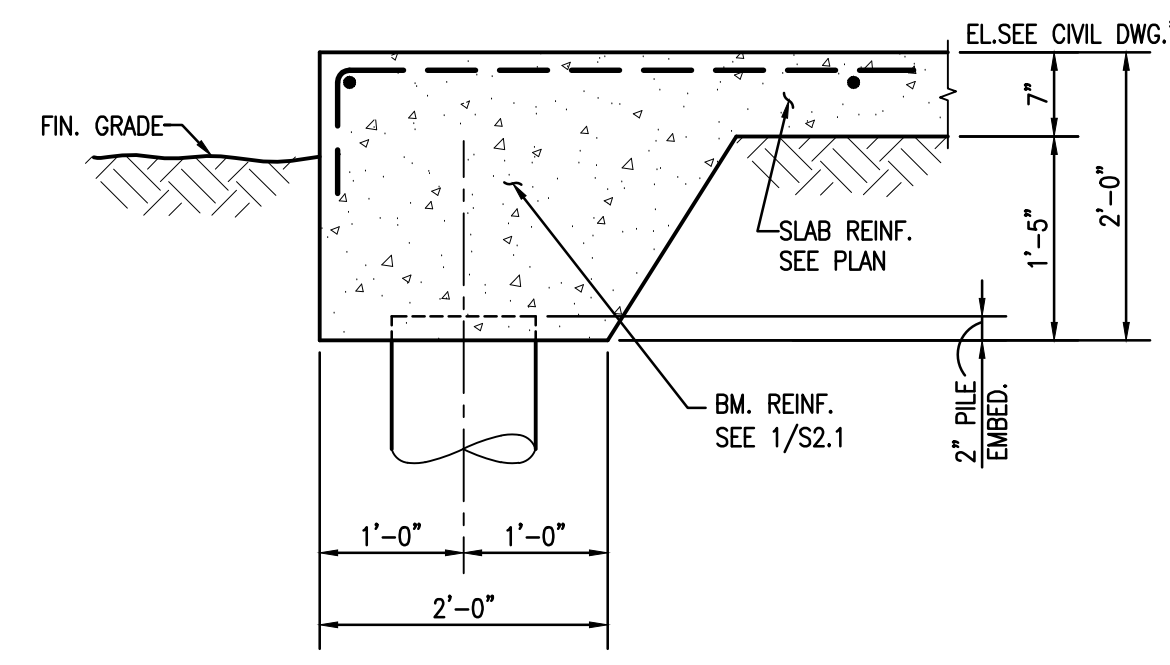
8 SECTION
S2.2 3/4"=1'-0"



9 SECTION
S2.2 3/4"=1'-0"



10 DETAIL-TYPICAL SLAB ON GRADE CONSTRUCTION JOINT
S2.2 1 1/2"=1'-0"

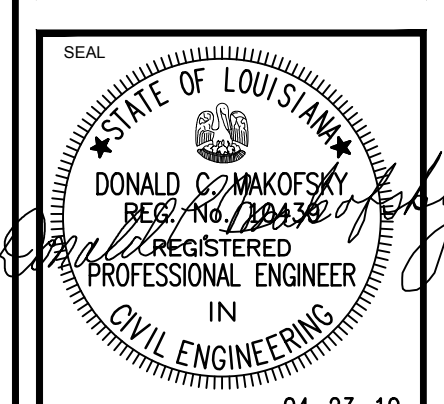


11 SECTION
S2.2 3/4"=1'-0"

REVISIONS	BY
06/22/10	JLS

NEW-PHOENIX-PRE-K-THROUGH-12-SCHOOL
NEW-PHOENIX-PRE-K-THROUGH-12-SCHOOL
12700-HWY.-39-BRAITHWAITE, LOUISIANA-70040
FEMA-PW-4987

ATTACHMENT NUMBER 32 TO ADDENDUM NUMBER ONE



04-23-10
DRAWN: RJL
CHECKED: JLS
SCALE: AS NOTED
DATE: 05/21/2010

S2.2
MORPHY MAKOFSKY INCORPORATED
CONSULTING ENGINEERS
(504) 488-1317
JOB NO. 09157
© 2009