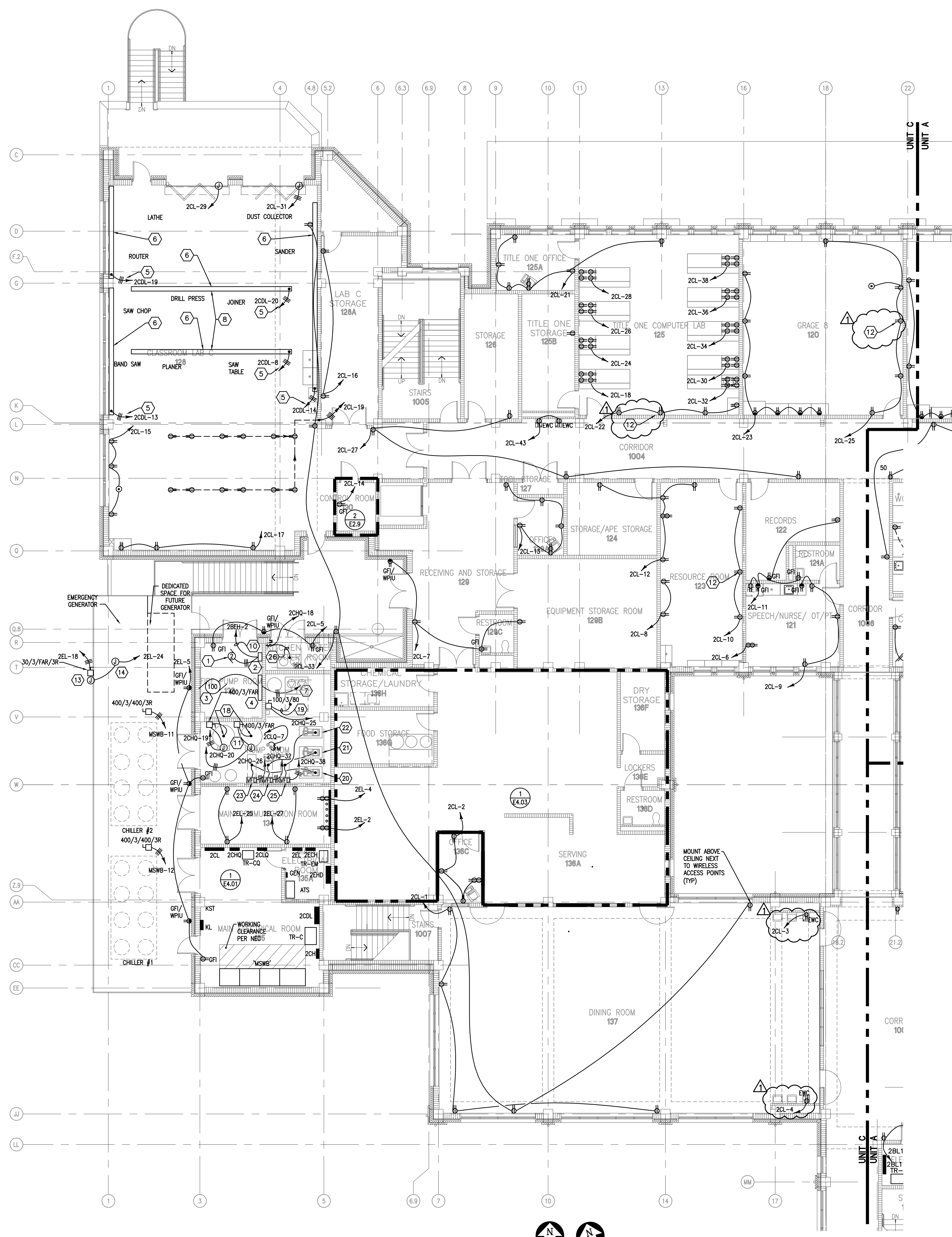
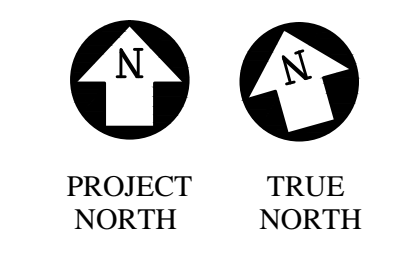


REVISIONS	BY
07-12-10	ADG

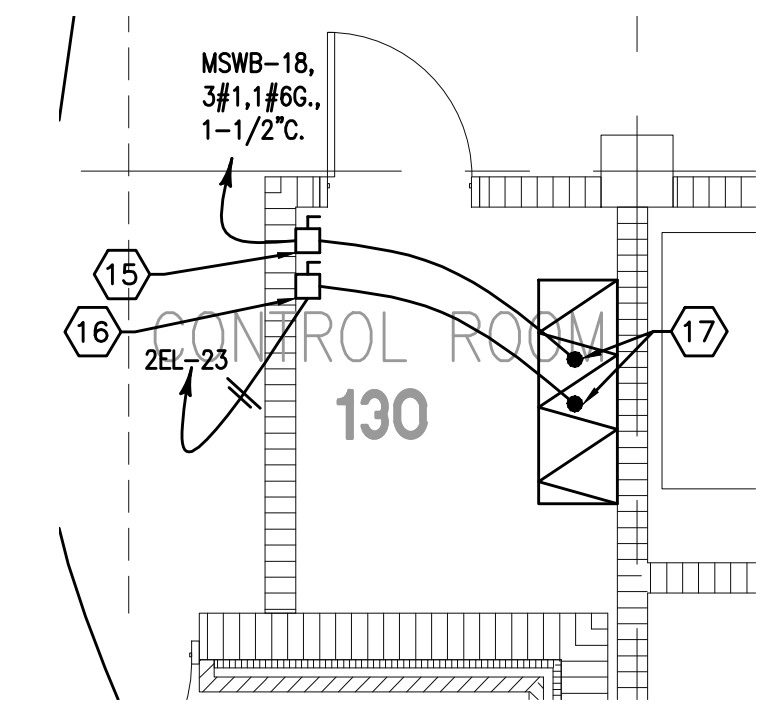


1 UNIT C SECOND FLOOR POWER PLAN
SCALE: 1/8" = 1'-0"

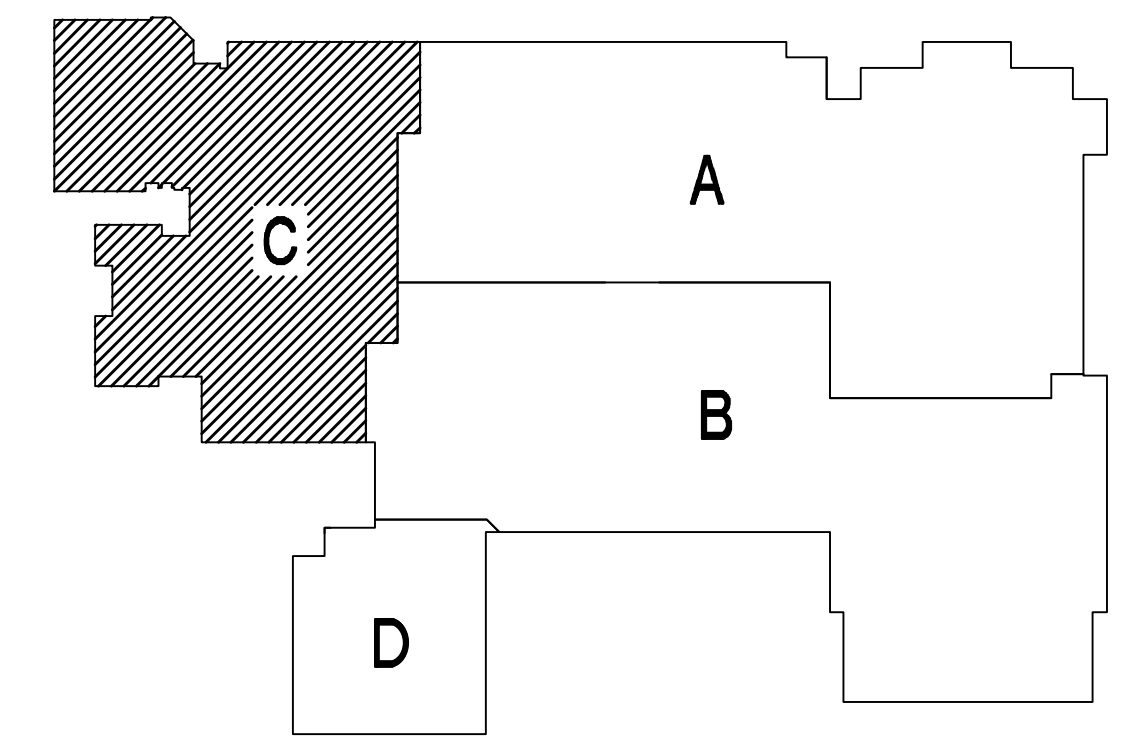


- SPECIFIC NOTES:**
- 1 JOCKEY PUMP.
 - 2 JOCKEY PUMP CONTROLLER.
 - 3 FIRE PUMP.
 - 4 FIRE PUMP CONTROLLER. SEE RISER FOR CIRCUITING.
 - 5 3#6, 1#80ND, 1'C.
 - 6 STARLINE B60 BUSWAY SERIES.
 - 7 TO EMERGENCY GENERATOR. SEE POWER RISER DIAGRAM FOR FEEDER SIZE SHEET E0.2.
 - 8 SUSPEND FROM CEILING 10' AFF.
 - 9 NOT USED.
 - 10 3#12, 1#12G, 1/2'C.
 - 11 3#4/O, 1#6G, 2'C.
 - 12 MOUNT REC 12" BELOW CEILING FOR SMART BOARD CONNECTION.
 - 13 FUEL FILL CONTROL PANEL MOUNTED ON WALL BELOW. SEE MECHANICAL FOR EXACT LOCATION PRIOR TO ROUGH IN.
 - 14 FUEL FILL SOLENOID VALVE MOUNTED NEAR SKID TANK. SEE MECHANICAL FOR EXACT LOCATION PRIOR TO ROUGH IN.
 - 15 PROVIDE A 600V, 100-AMP, 3-POLE FUSIBLE DISCONNECT SWITCH. FUSE THE SWITCH PER THE ELEVATOR MOTOR'S NAMEPLATE. PROVIDE A NAMEPLATE, "ELEVATOR POWER".
 - 16 PROVIDE A 250V, 30-AMP, 2-POLE FUSIBLE DISCONNECT SWITCH. FUSE THE SWITCH WITH 20-AMP, RC-1 CURRENT LIMITING FUSES. PROVIDE A NAMEPLATE, "ELEVATOR CAB LIGHTS".
 - 17 CONNECTIONS TO THE ELEVATOR CONTROLLER ARE PROVIDED BY THE ELEVATOR CONTRACTOR. COORDINATE THE INSTALLATION WITH THE ELEVATOR CONTRACTOR.
 - 18 CONNECT TO ELECTRIC WATER HEATER.
 - 19 CONNECT TO DOMESTIC WATER BOOSTER PUMP CONTROL PANEL.
 - 20 CHILLED WATER PUMP #1.
 - 21 CHILLED WATER PUMP #2.
 - 22 CHILLED WATER PUMP #3.
 - 23 VFD (CHILLED WATER PUMP #1).
 - 24 VFD (CHILLED WATER PUMP #2).
 - 25 VFD (CHILLED WATER PUMP #3).
 - 26 CONNECT TO THE WATER SOFTENER CONTROL PANEL.

- GENERAL NOTES:**
- 1 MAKE ALL ELECTRICAL CONNECTIONS TO MECHANICAL AND PLUMBING EQUIPMENT.



2 ENLARGED ELEVATOR MACHINE ROOM C130 POWER PLAN
SCALE: 1/4" = 1'-0"



KEY PLAN

ADDENDUM 2
ATTACHMENT 51

ASSOCIATED DESIGN GROUP, INC.
CONSULTING ENGINEERS

CORPORATE OFFICE
114 Toledo Drive
Belle Meade
New Orleans, LA 70112
(504) 861-8333

NEW ORLEANS BRANCH
1010 Common St.
Suite 8405
New Orleans, LA 70112
(504) 584-8710

Project # 02193

UNIT C SECOND FLOOR POWER PLAN

DRAWN: JAM
CHECKED: RAG
SCALE:
DATE: 05-24-2010

E2.9