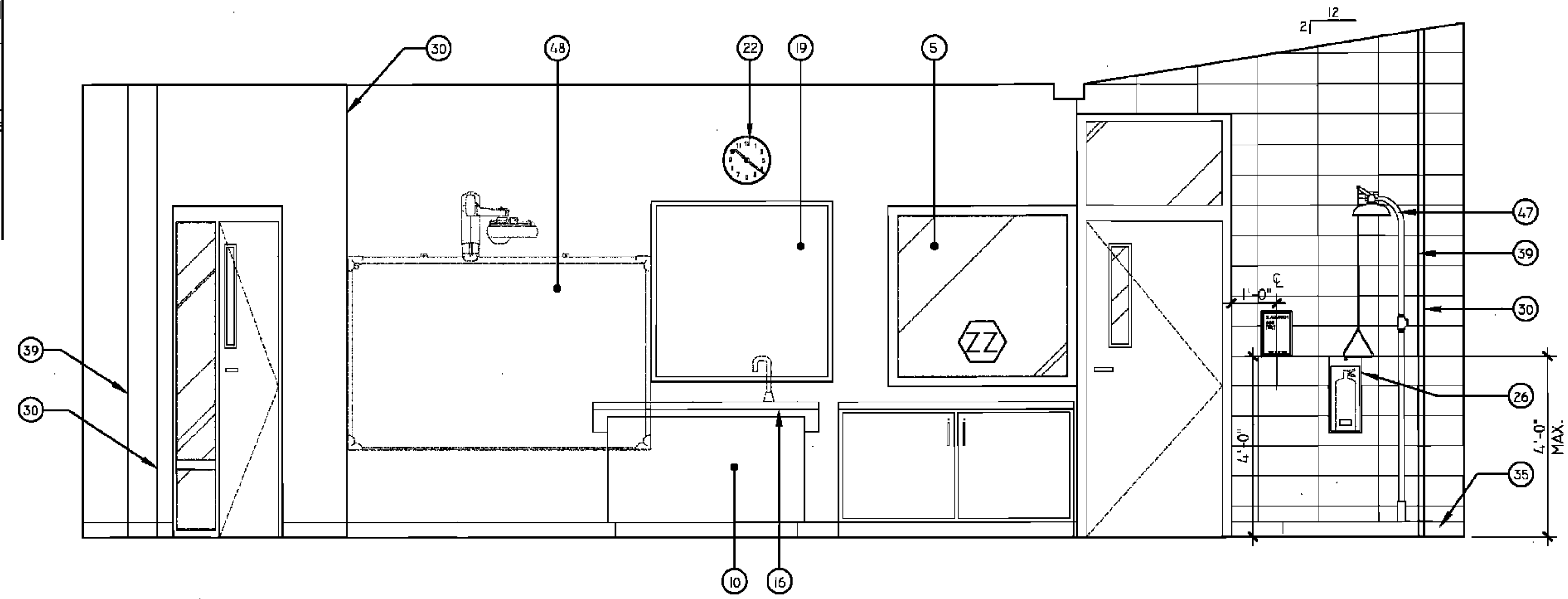
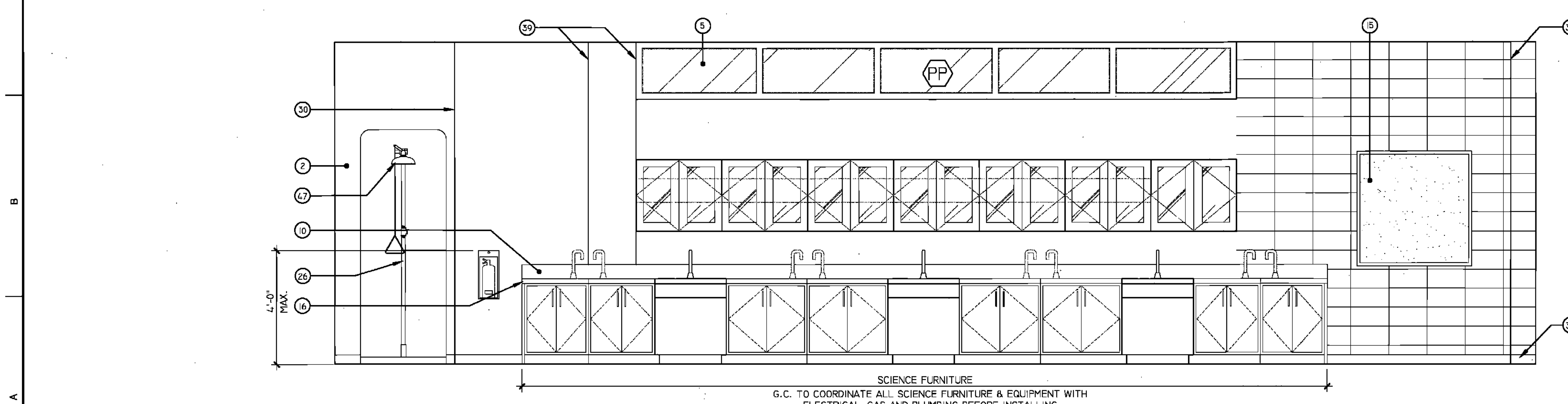


TYPICAL SCIENCE CLASSROOM PLAN



TYPICAL SCIENCE CLASSROOM ELEVATION - LOOKING TOWARDS FRONT OF CLASSROOM



TYPICAL SCIENCE CLASSROOM ELEVATION - LOOKING TOWARDS EXTERIOR

SCIENCE FURNITURE
G.C. TO COORDINATE ALL SCIENCE FURNITURE & EQUIPMENT WITH ELECTRICAL, GAS AND PLUMBING BEFORE INSTALLING

RSD
LOUISIANA

LEGEND

① GYPSUM FURDOWN (RE: FIN. SCH.)	⑩ SHOWER CURTAIN ROD
② CMU (RE: FIN. SCH.)	⑪ EDGE OF PILASTER
③ ACUSTICAL WALL PANELS (RE: FIN. SCH.)	⑫ PARTITION MNTD DISP. (NIC)
④ WINDOW SYSTEM (RE: WIN. SCH.)	⑬ WALL MOUNTED SINK
⑤ LIGHT FIXTURE (RE: ELEC)	⑭ UNDERMOUNT SINK
⑥ LAMINATE SURFACE COUNTER TOP	⑮ UTILITY SINK
⑦ ETCHED GLASS SIGNAGE (RE: SPECS)	⑯ PRECAST CONCRETE (RE: STR DWGS)
⑧ BACKSPLASH TO MATCH COUNTER	⑰ PIN-MOUNTED SIGNAGE
⑨ WOOD CABINETS W/ LAMINATE FINISH	⑱ SAFETY SHOWER, RE: SPECS
⑩ WOOD CABINETS W/ GLASS INSERT	⑲ ELECTRONIC WHITE BOARD
⑪ PAINTED CABINETS/ SHELVES	⑳ FLAG HOLDER
⑫ MIRROR	㉑ SURFACE RACEWAY
⑬ TACK BOARD	㉒ ROOM PLAQUE
⑭ BLACK EPOXY RESIN COUNTER TOP	㉓ DECORATIVE HANDRAIL SYSTEM (RE: SPECS)
⑮ LIGHT SHELF	㉔ MOTORIZED WINDOW SHADE
⑯ VENTHOOD	㉕ STAGE CURTAINS (RE: FIN SCH & FLR PLN)
⑰ MARKER BOARD	㉖ MOTORIZED BLEACHERS W/ INTEGRAL HANDRAIL SYSTM
⑱ SOAP DISPENSER (NIC)	㉗ CEILING MNTD RETRACTABLE PROJECTION SCREEN
⑲ HAND DRYER	㉘ DOOR (RE: DOOR SCH)
⑳ WALL CLOCK	㉙ NOT USED
㉑ WALL PADS (RE: FIN. SCH.)	㉚ BASKETBALL BACKSTOP
㉒ SCORE BOARD	㉛ MECH DUCTWORK (RE:MECH)
㉓ PIN MOUNTED SIGNAGE	㉜ LIGHT FIXTURE (RE: ELEC)
㉔ FIRE STATION	㉝ TRUSSES (RE: STRUCTURAL)
㉕ TOWEL DISPENSER	㉞ SCOREBOARD (RE: SPECS)
㉖ CUBBIES	㉟ ELECTRIC DIVIDER CURTAIN SECURED TO STRUCTURE
㉗ EDGE OF WALL	㊱ RECESSED WALL
㉘ MAP HOOKS	㊲ LIGHTWIGHT CURTAIN (REFIN SCH & FR PLN.)
㉙ SHOWER SEAT	㊳ SUSPENDED PIPE GRID SYSTEM SECURED TO STRUCTURE
㉚ WATER FOUNTAIN	㊴ POWER JUNCTION BOX SECURED TO PIPE GRID SYS.
㉛ FLR BASE (RE: FIN SCH)	㊵ MOTOR OPERATED FOLDING PARTITION WALL
㉜ SOAP DISH (NIC)	㊶ PARTITION STACK STORAGE
㉝ METAL STORAGE RACK	㊷ CIRCULATION DESK
	㊸ LIBRARY SHELVING SYSTEM

KEY PLAN

BIDDING DOCUMENTS 06/04/10	
NO. REVISION	DATE
PARKVIEW SCHOOL PROJECT	
4817 MIRABEAU AVE. NEW ORLEANS, LA 70126	
09009	JOB NO
INTERIOR ELEVATIONS TITLE	
1/2" = 1'-0" SCALE	
MMM/AB / CW DRAWN/CHK	
A-6.20	
FULLY SPRINKLERED BUILDING	
A PROFESSIONAL CORPORATION www.rozasward.com 1100 POYDRAS ST. SUITE 3550 NO LA 70185 504 524 4375	

ONE AND ONE HALF INCHES = ONE FOOT
ONE HALF INCH = ONE FOOT
ONE QUARTER INCH = ONE FOOT
ONE EIGHT INCH = ONE FOOT