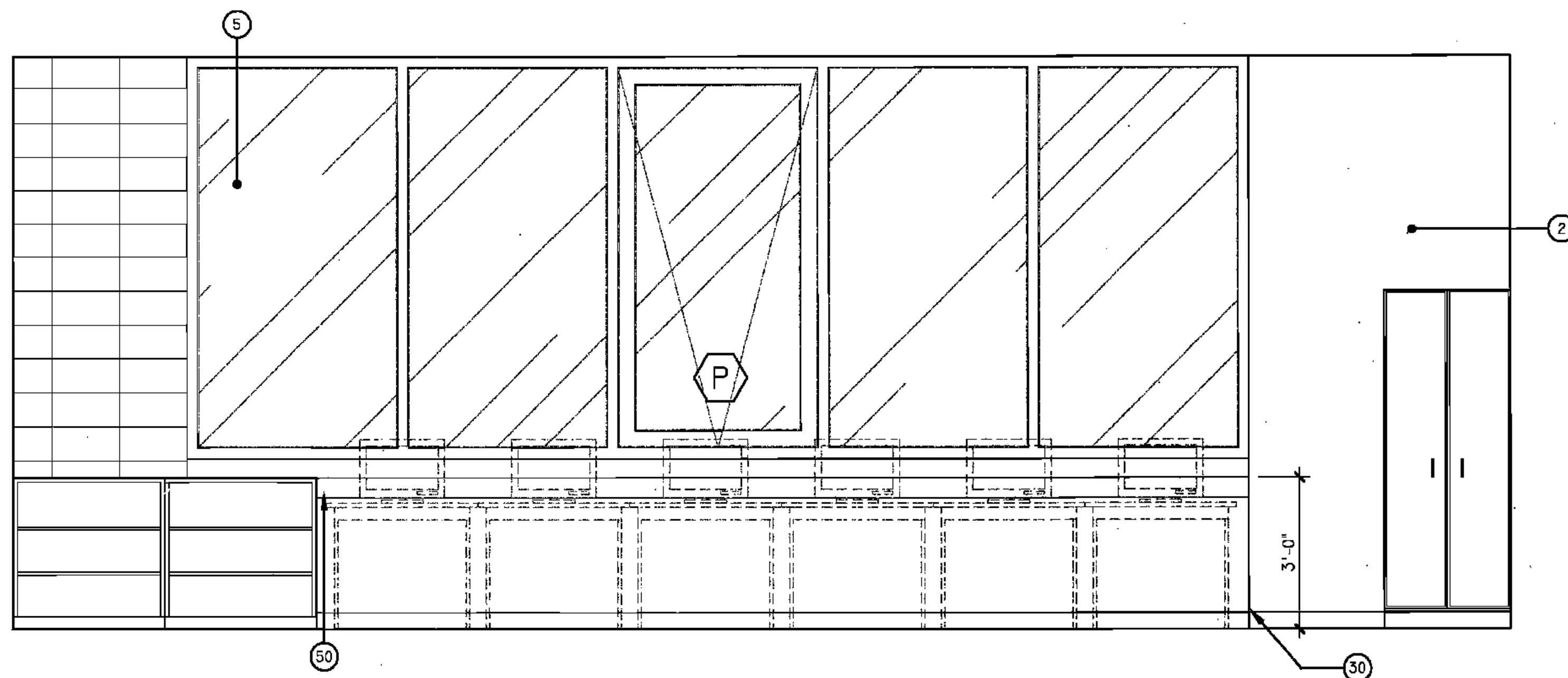
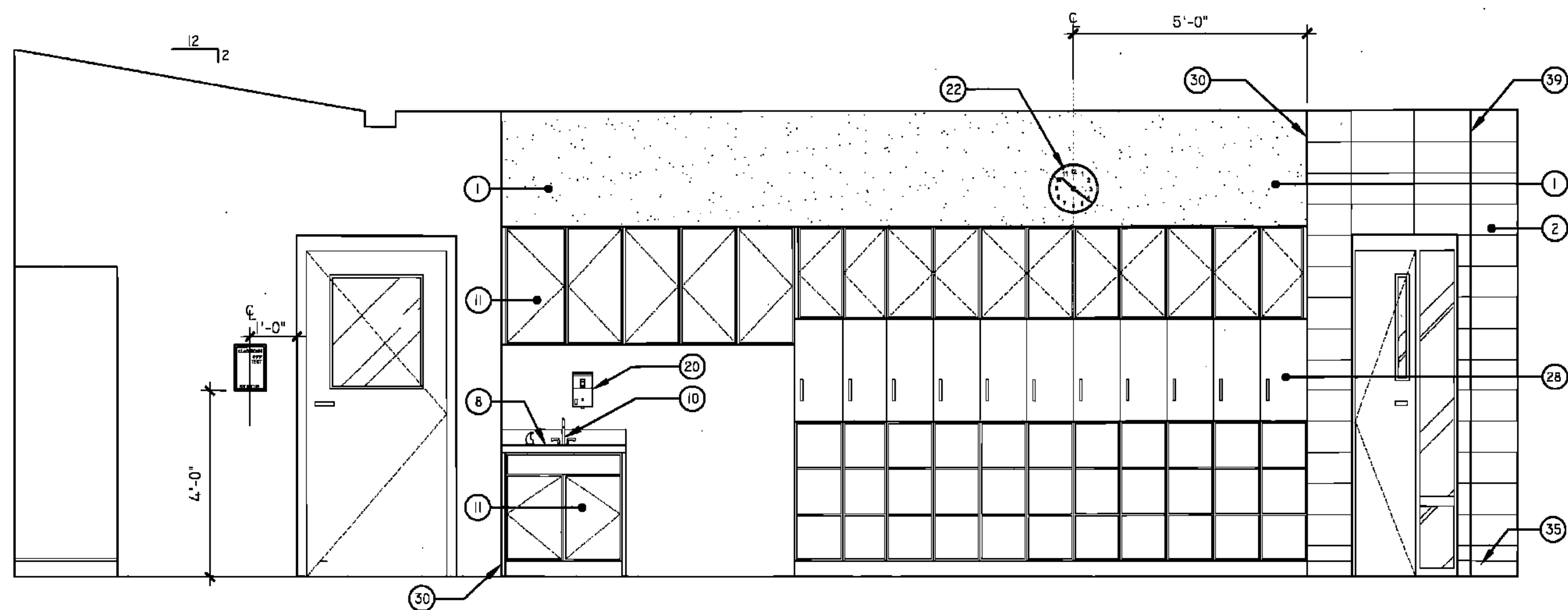


TYPICAL PRE-K & KINDERGARTEN CLASSROOM PLAN



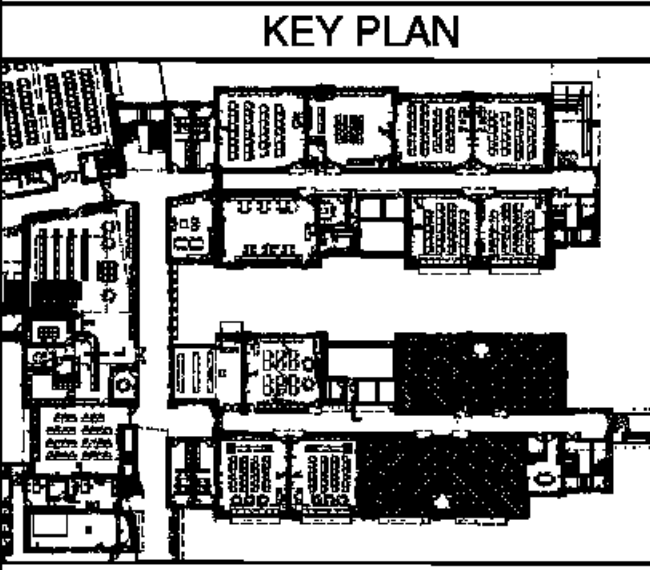
1 A-6.11 TYPICAL PRE-K & KINDERGARTEN CLASSROOM ELEVATION - LOOKING TOWARDS EXTERIOR



2 A-6.11 TYPICAL PRE-K & KINDERGARTEN CLASSROOM ELEVATION - LOOKING TOWARDS BACK OF CLASSROOM

RSD
LOUISIANA

- LEGEND**
- 1 GYPSUM FURDOWN (RE: FIN. SCH.)
 - 2 CMU (RE: FIN. SCH.)
 - 3 ACUSTICAL WALL PANELS (RE: FIN. SCH.)
 - 4 WINDOW SYSTEM (RE: WNL. SCH.)
 - 5 LIGHT FIXTURE (RE: ELEC)
 - 6 LAMINATE SURFACE COUNTER TOP
 - 7 ETCHED GLASS SIGNAGE (RE: SPECS)
 - 8 BACKSPLASH TO MATCH COUNTER
 - 9 WOOD CABINETS W/ LAMINATE FINISH
 - 10 WOOD CABINETS W/ GLASS INSERT
 - 11 PAINTED CABINETS/ SHELVES
 - 12 MIRROR
 - 13 TACK BOARD
 - 14 BLACK EPOXY RESIN COUNTER TOP
 - 15 LIGHT SHELF
 - 16 VENTHOOD
 - 17 MARKER BOARD
 - 18 SOAP DISPENSER (NIC)
 - 19 HAND DRYER
 - 20 WALL CLOCK
 - 21 WALL PADS (RE: FIN. SCH.)
 - 22 SCORE BOARD
 - 23 PIN MOUNTED SIGNAGE
 - 24 FIRE STATION
 - 25 TOWEL DISPENSER
 - 26 CLUBBIES
 - 27 EDGE OF WALL
 - 28 MAP HOOKS
 - 29 SHOWER SEAT
 - 30 WATER FOUNTAIN
 - 31 FLR BASE (RE: FIN SCH.)
 - 32 SCAP DISH (NIC)
 - 33 METAL STORAGE RACK
 - 34 SHOWER CURTAIN ROD
 - 35 EDGE OF PILASTER
 - 36 PARTITION MNTD DISP. (NIC)
 - 37 WALL MOUNTED SINK
 - 38 UNDERMOUNT SINK
 - 39 UTILITY SINK
 - 40 TACK STRIP
 - 41 PRECAST CONCRETE (RE: STR DWGS)
 - 42 PIN-MOUNTED SIGNAGE
 - 43 SAFETY SHOWER, RE: SPECS
 - 44 ELECTRONIC WHITE BOARD
 - 45 FLAG HOLDER
 - 46 SURFACE RACEWAY
 - 47 ROOM PLAQUE
 - 48 DECORATIVE HANDRAIL SYSTEM (RE: SPECS)
 - 49 MOTORIZED WINDOW SHADE
 - 50 STAGE CURTAINS
 - 51 MOTORIZED WINDOW SHADE (RE: FIN SCH & FLR PLN)
 - 52 MOTORIZED BLEACHERS W/ INTEGRAL HANDRAIL SYSTEM
 - 53 CEILING MNTD RETRACTABLE PROJECTION SCREEN
 - 54 DOOR (RE: DOOR SCH)
 - 55 NOT USED
 - 56 BASKETBALL BACKSTOP
 - 57 MECH DUCTWORK (RE:MECH)
 - 58 LIGHT FIXTURE (RE: ELEC)
 - 59 TRUSSES (RE: STRUCTURAL)
 - 60 SCOREBOARD (RE: SPECS)
 - 61 ELECTRIC DIVIDER CURTAIN SECURED TO STRUCTURE.
 - 62 RECESSED WALL
 - 63 LIGHTWIGHT CURTAIN (REFIN SCH & FR PLN).
 - 64 SUSPENDED PIPE GRID SYSTEM SECURED TO STRUC
 - 65 POWER JUNCTION BOX SECURED TO PIPE GRID SYS.
 - 66 MOTOR OPERATED FOLDING PARTITION WALL
 - 67 PARTITION STACK STORAGE
 - 68 CIRCULATION DESK
 - 69 LIBRARY SHELVING SYSTEM



BIDDING DOCUMENTS		05/04/10
NO. REVISION	DATE	
PARKVIEW SCHOOL 4617 MIRABEAU AVE. NEW ORLEANS, LA 70126		PROJECT
09009	JOB NO	

INTERIOR ELEVATIONS		TITLE
1/2" = 1'-0"		SCALE
MMM/AB / CW	DRAWN/CHK	

A-6.11
FULLY SPRINKLERED BUILDING

RWA
ROZAS WARD ARCHITECTS
A PROFESSIONAL CORPORATION
1100 POYDRAS ST. SUITE 3550 NO LA 70183 504 524 4375

ONE AND ONE HALF INCHES = ONE FOOT
THREEONE INCH = ONE FOOT
ONE HALF INCH = ONE FOOT
ONE QUARTER INCH = ONE FOOT
ONE EIGHT INCH = ONE FOOT