

BYRON J. STEWART & ASSOC.  
ARCHITECTS & PLANNERS, APC  
2300 MARENGO STREET  
NEW ORLEANS, LOUISIANA 70115  
(504) 527-5397 (504) 527-5342 FAX



CARTER G. WOODSON SCHOOL  
RECOVERY SCHOOL DISTRICT  
2514 THIRD STREET  
NEW ORLEANS, LOUISIANA

**FOR CONSTRUCTION**

JOB NUMBER: BJB 125  
DATE: 4/20/16  
DRAWN BY: MLH  
CHECKED BY: L.R.P.B.

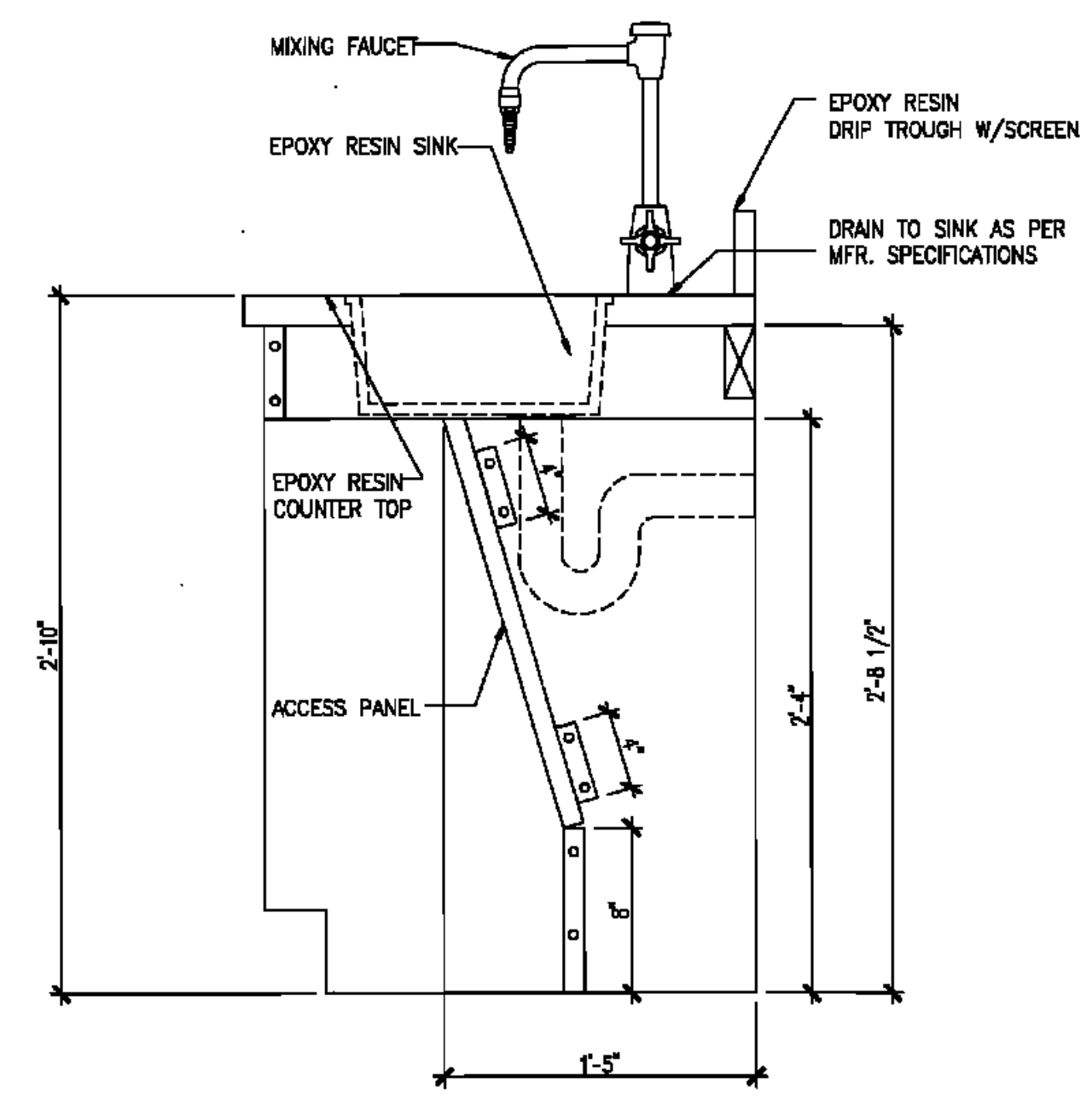
REVISIONS		
NO.	DATE	REVISION

SHEET TITLE: \_\_\_\_\_

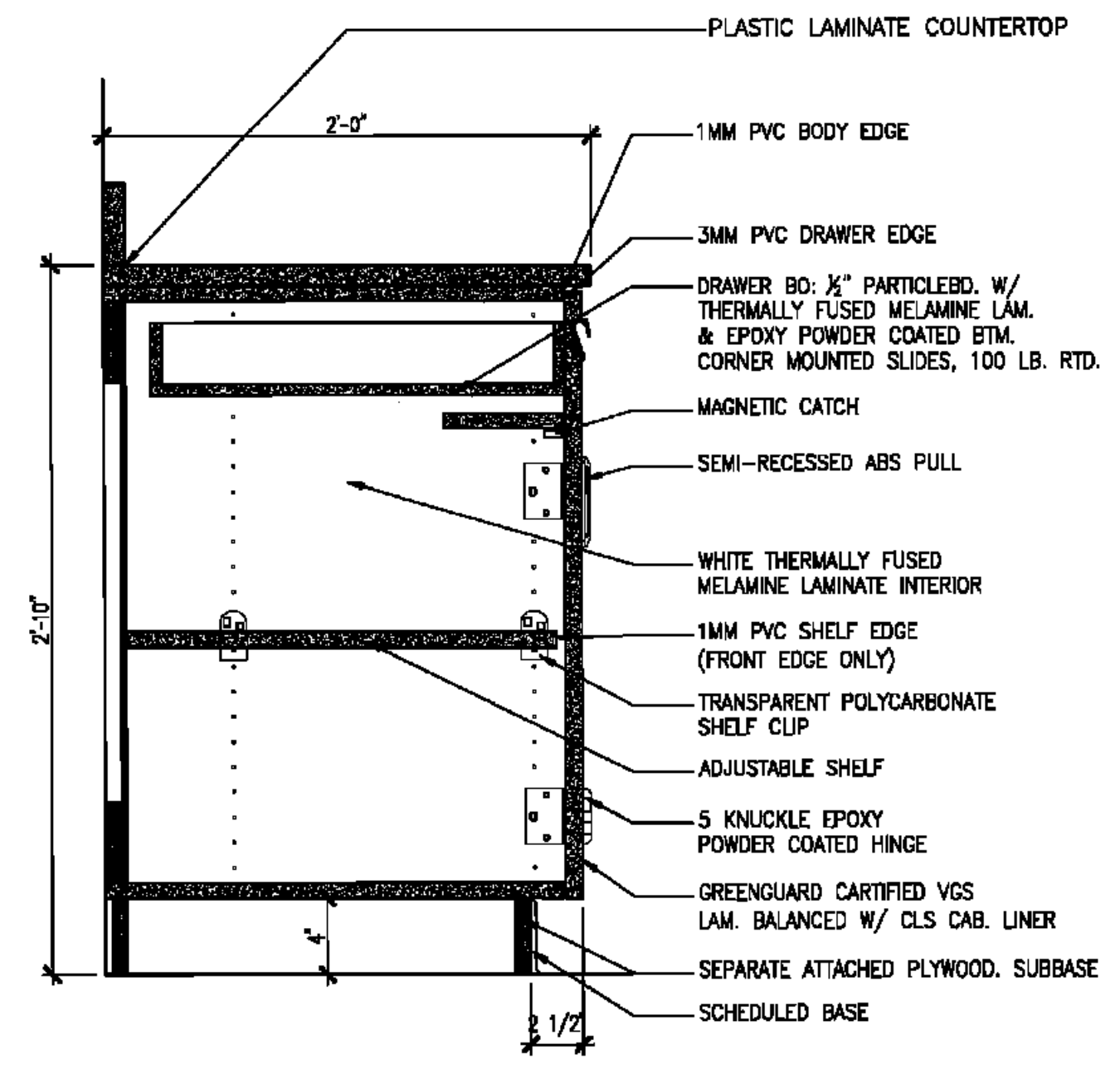
**CASEWORK DETAILS**

SHEET: \_\_\_\_\_

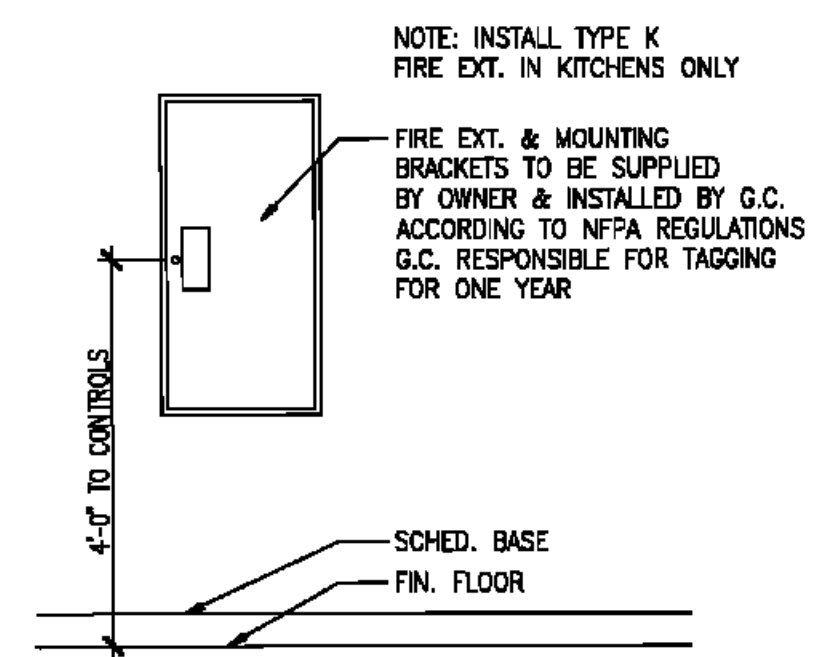
**A-8.9**



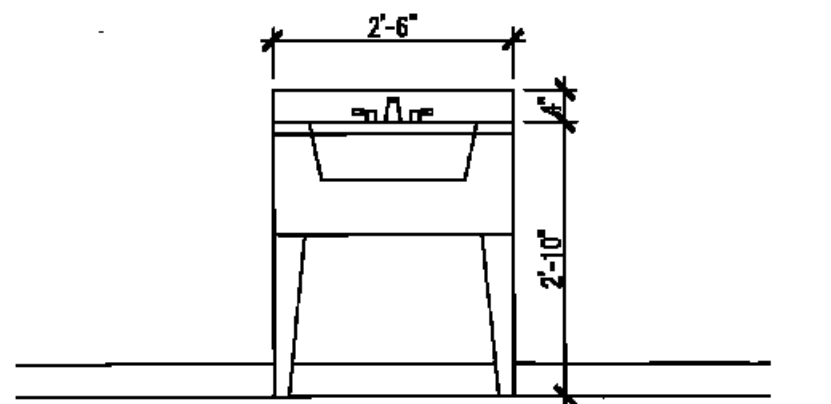
20 ADA SINK FOR SCIENCE LAB 1-1/2" = 1'-0"



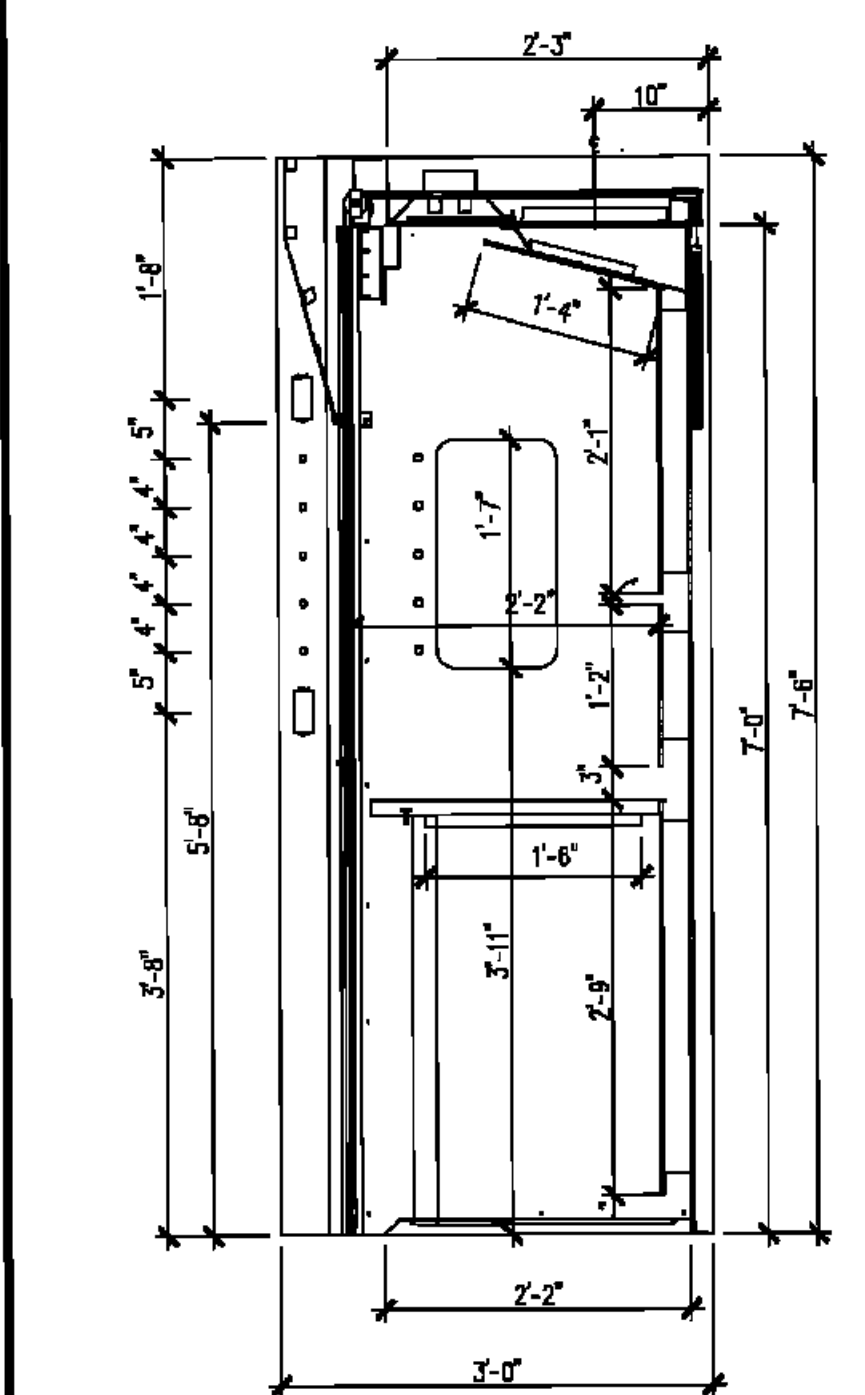
22 DOOR DRAWER COMBO SECTION 1-1/2" = 1'-0"



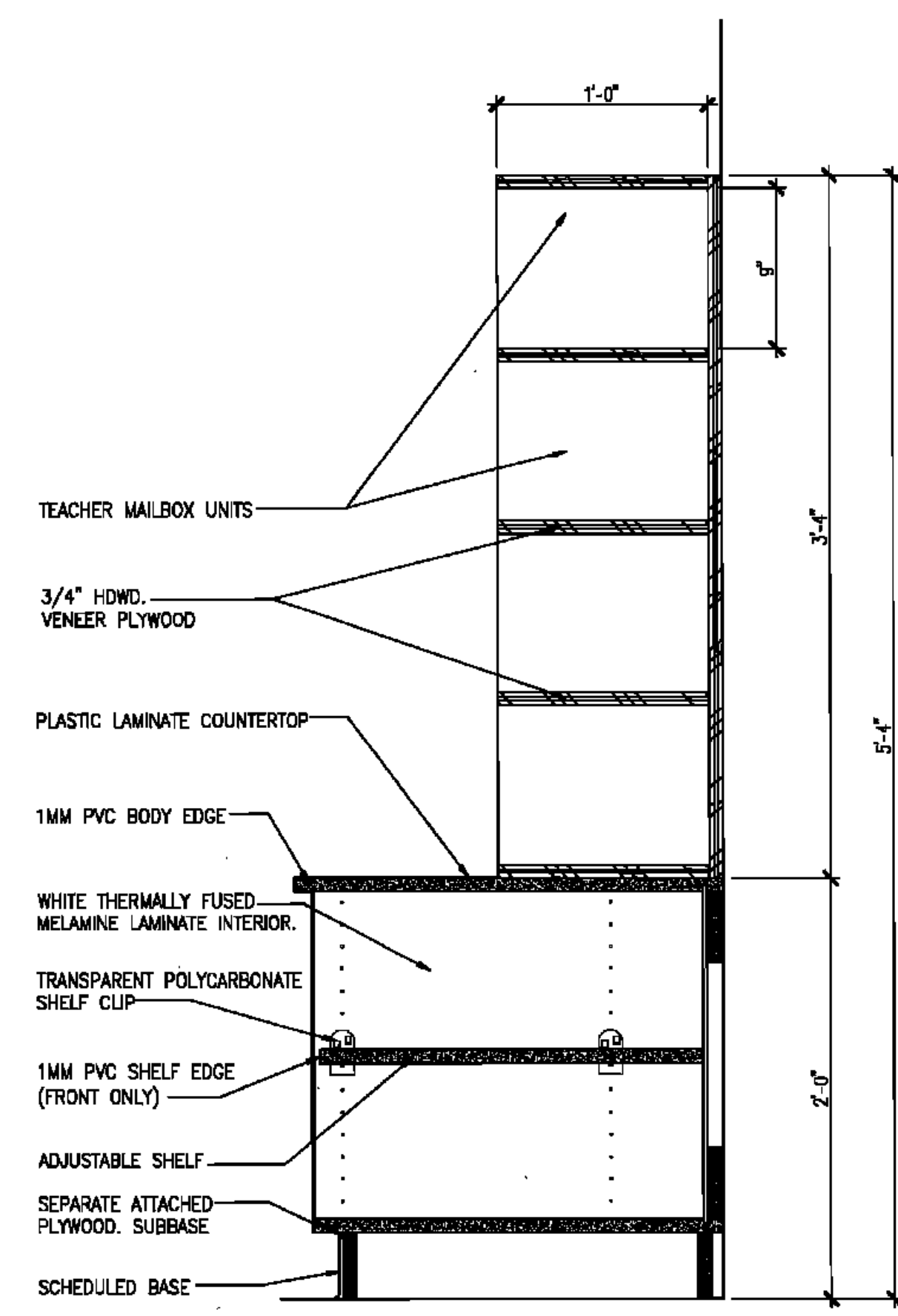
29 FIRE EXTIN. CAB. 1/2" = 1'-0"



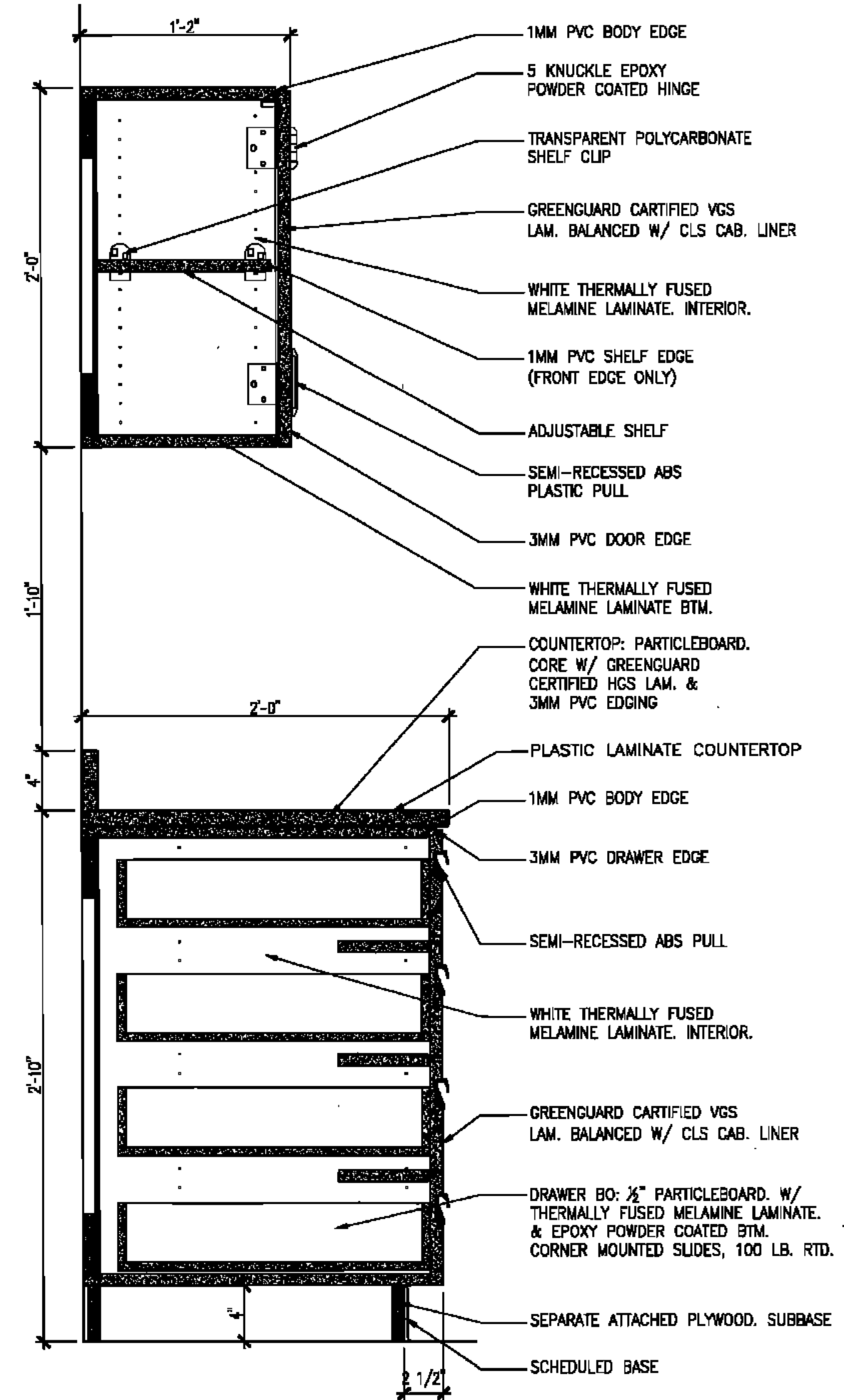
23 TYP. UTILITY SINK 1/2" = 1'-0"



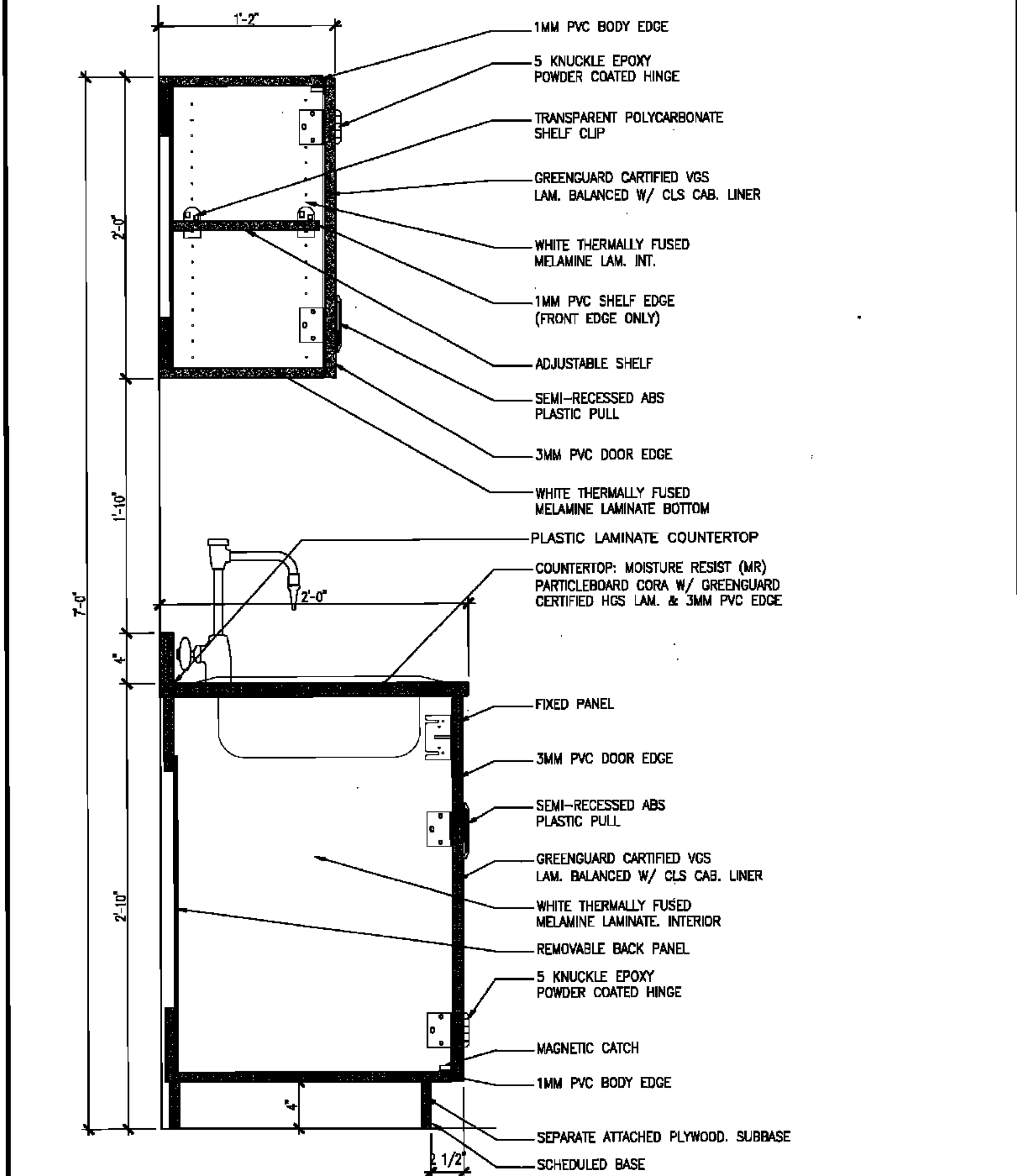
24 FUME HOOD 3/4" = 1'-0"



2 TEACHER MAILBOX UNIT & SHELVING 1-1/2" = 1'-0"



4 DRAWER BASE CABINET & WALL CABINET 1-1/2" = 1'-0"



6 SINK BASE CABINET & WALL CABINET 1-1/2" = 1'-0"