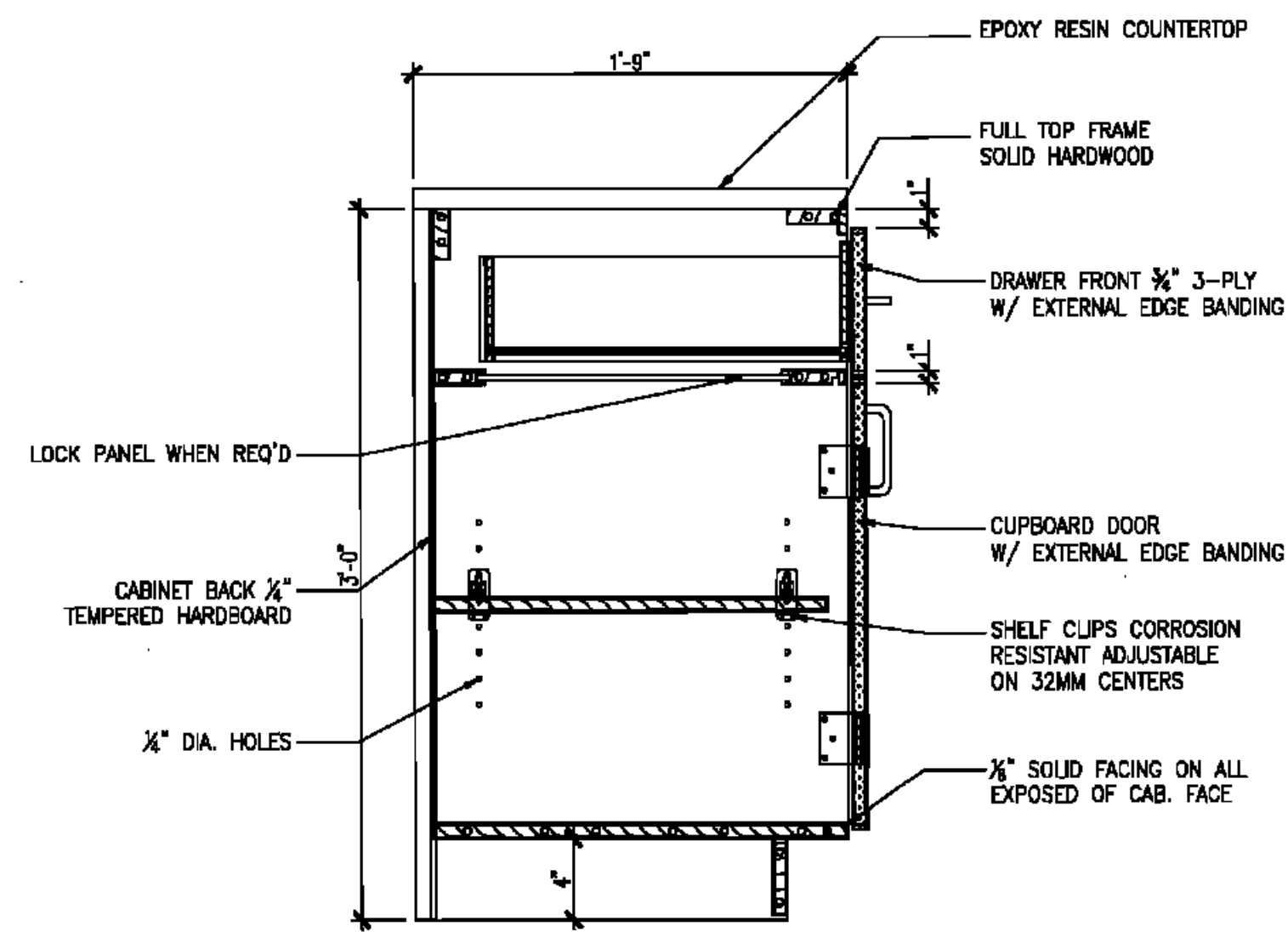


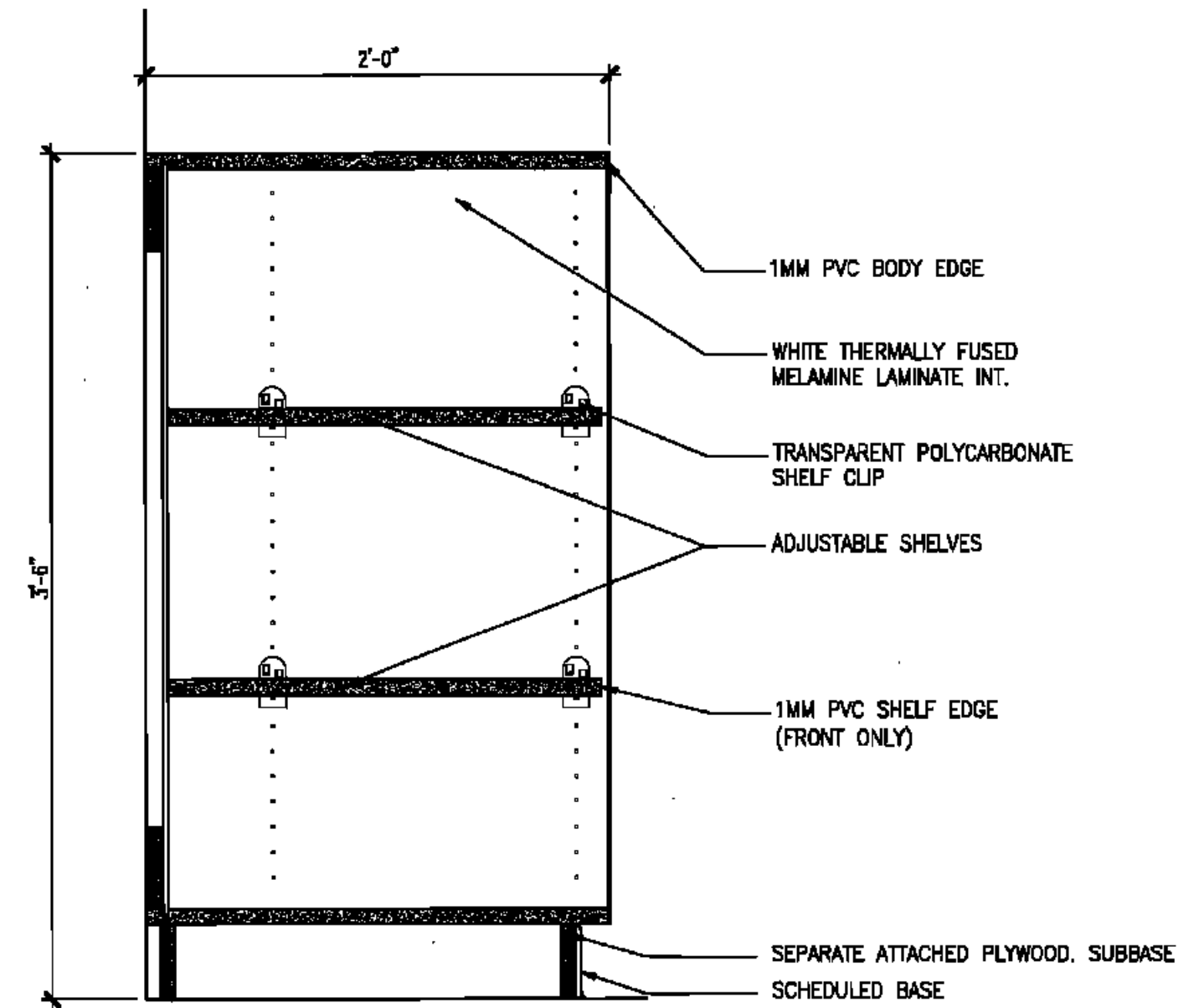
24 SINK BASE CABINET

1-1/2" = 1'-0"



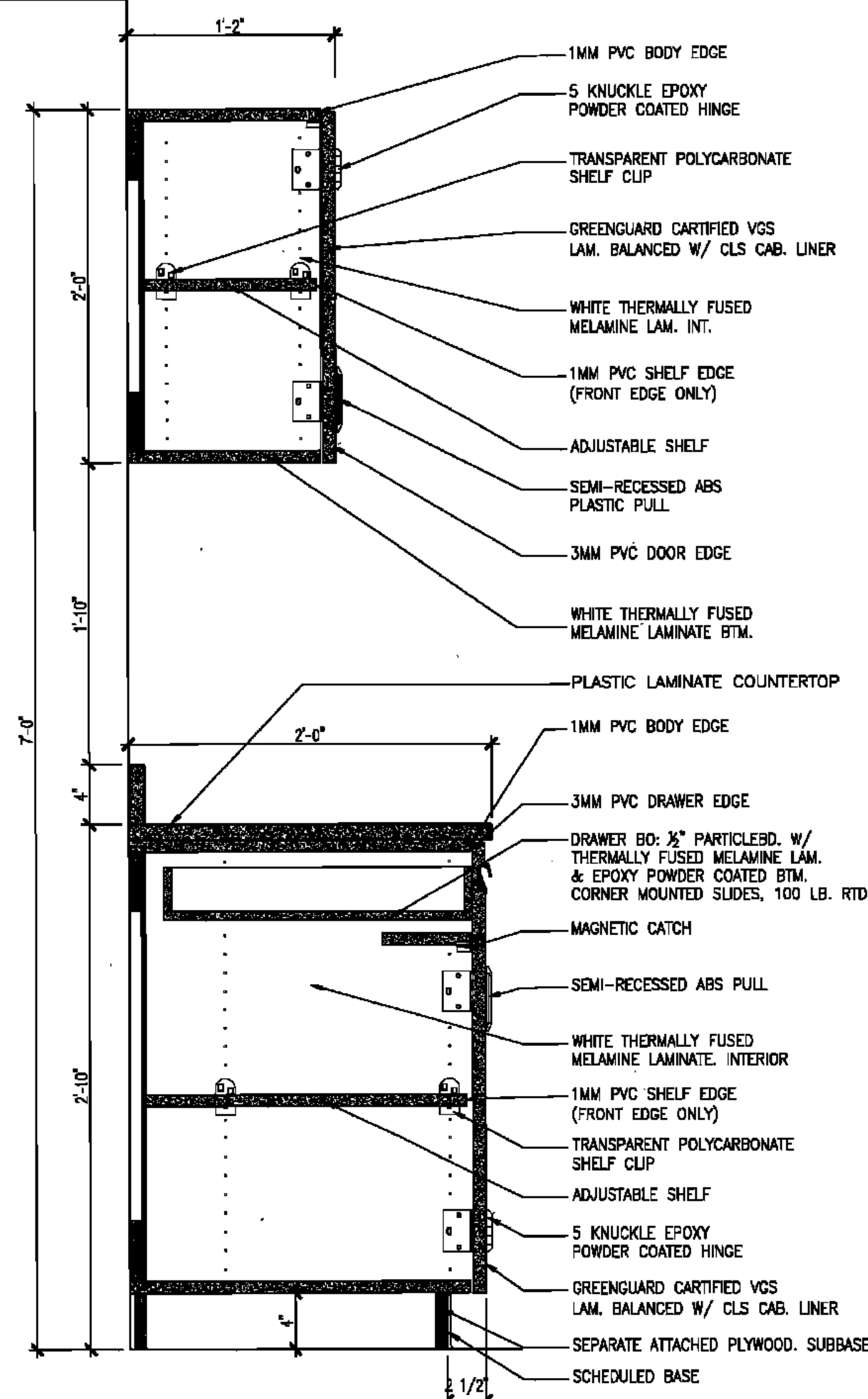
22 SCIENCE LAB BASE CABINET

1-1/2" = 1'-0"



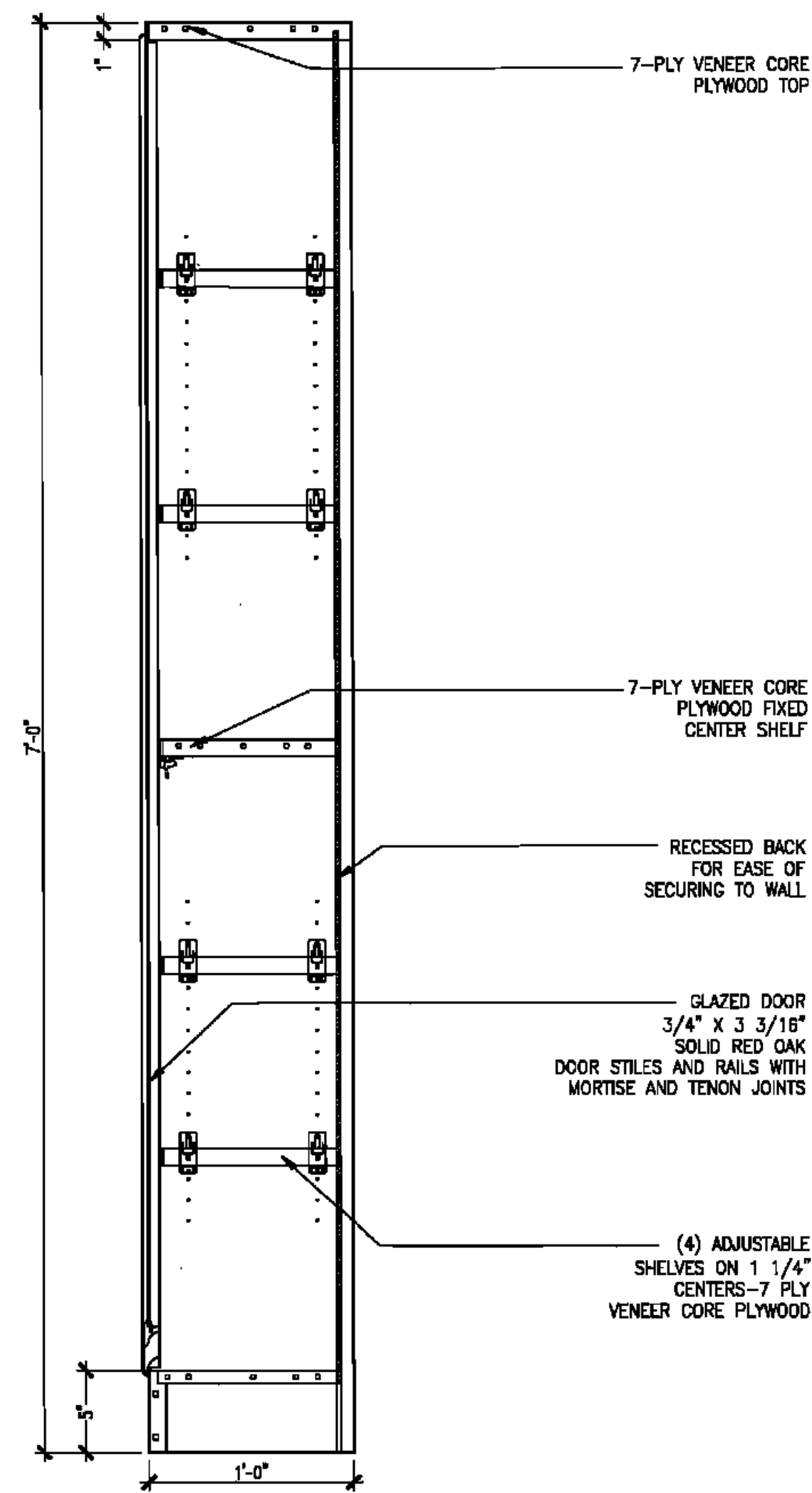
20 BOOKSHELF/CIRCULATION AREA

1-1/2" = 1'-0"



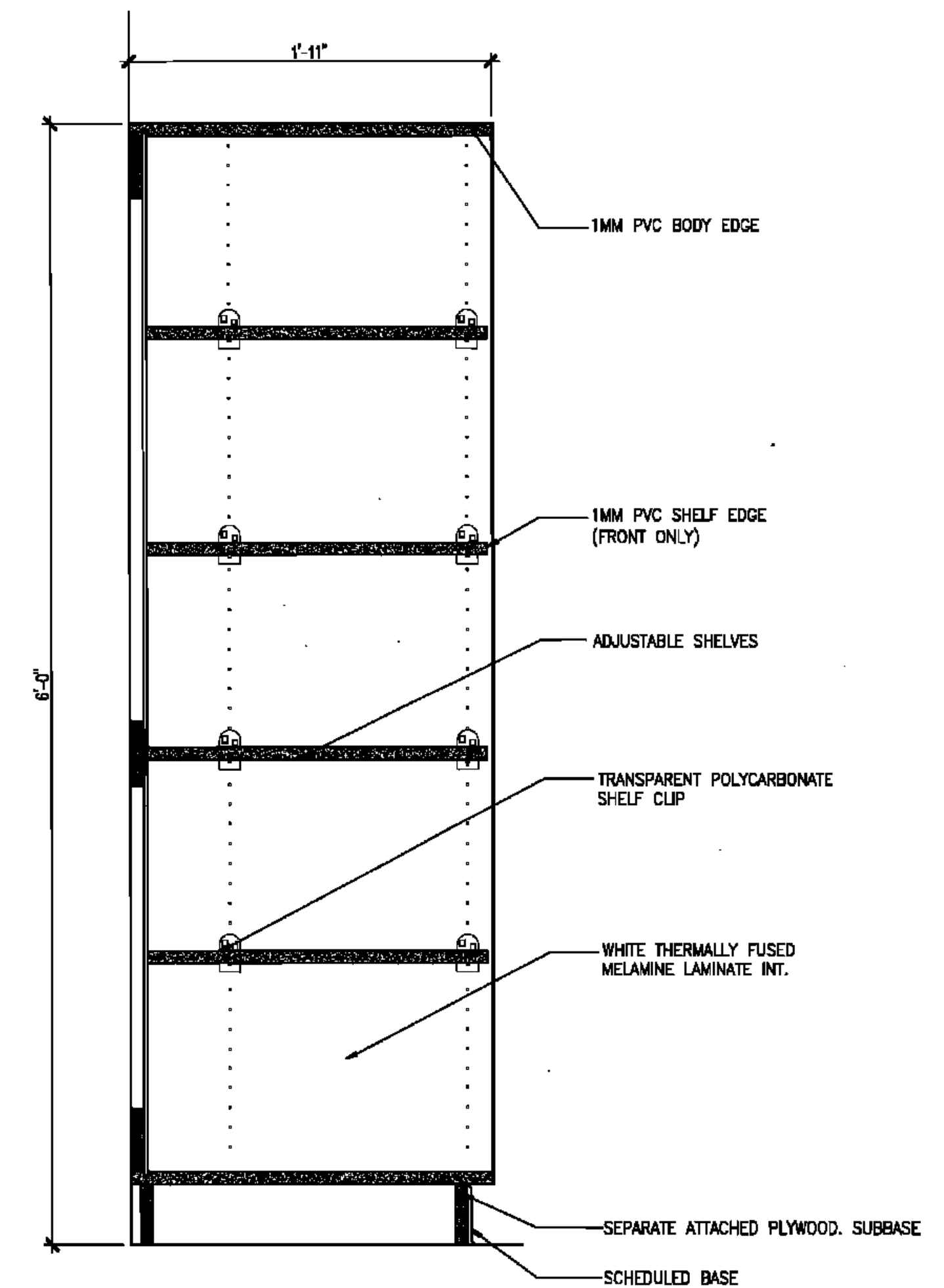
6 DOOR DRAWER BASE & WALL CABINET

1-1/2" = 1'-0"



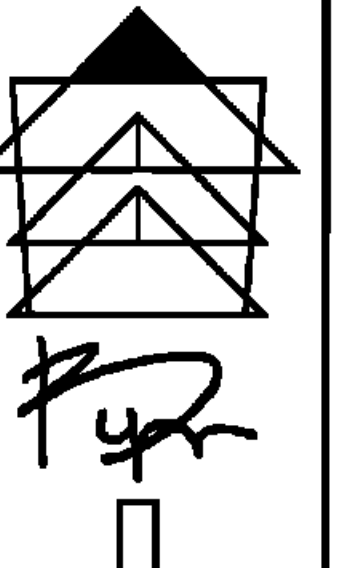
4 SCIENCE LAB STORAGE CABINET

1-1/2" = 1'-0"



2 BOOKSHELF/CIRCULATION AREA

1-1/2" = 1'-0"



BYRON J. STEWART & ASSOC.  
ARCHITECTS & PLANNERS, APC

2300 MARENGO STREET  
NEW ORLEANS, LOUISIANA 70118  
(504) 527-5339 (504) 527-5342 FAX

**PRK**  
Architecture  
Engineering  
Planning  
Facility Consulting

CARTER G. WOODSON SCHOOL  
RECOVERY SCHOOL DISTRICT  
2514 THIRD STREET  
NEW ORLEANS, LOUISIANA

FOR CONSTRUCTION

JOB NUMBER: BJS 128

DATE: 4/20/18

DRAWN BY: MLH

CHECKED BY: LRPB

REVISIONS

NO.	DATE	REVISION

SHEET TITLE:

CASEWORK DETAILS

SHEET:

A-8.8