

BYRON J. STEWART & ASSOC.
ARCHITECTS & PLANNERS, APC

2300 MARENGO STREET
NEW ORLEANS, LOUISIANA 70115
(504) 527-5337 (504) 527-5342 FAX

PRK
Architecture
Engineering
Planning
Facility Consulting

CARTER G. WOODSON SCHOOL
RECOVERY SCHOOL DISTRICT
2514 THIRD STREET
NEW ORLEANS, LOUISIANA

FOR CONSTRUCTION

JOB NUMBER: **BJB 128**

DATE: **4/28/18**

DRAWN BY: **MLH/JAY**

CHECKED BY: **L.R.P.B.**

REVISIONS

NO. DATE REVISION

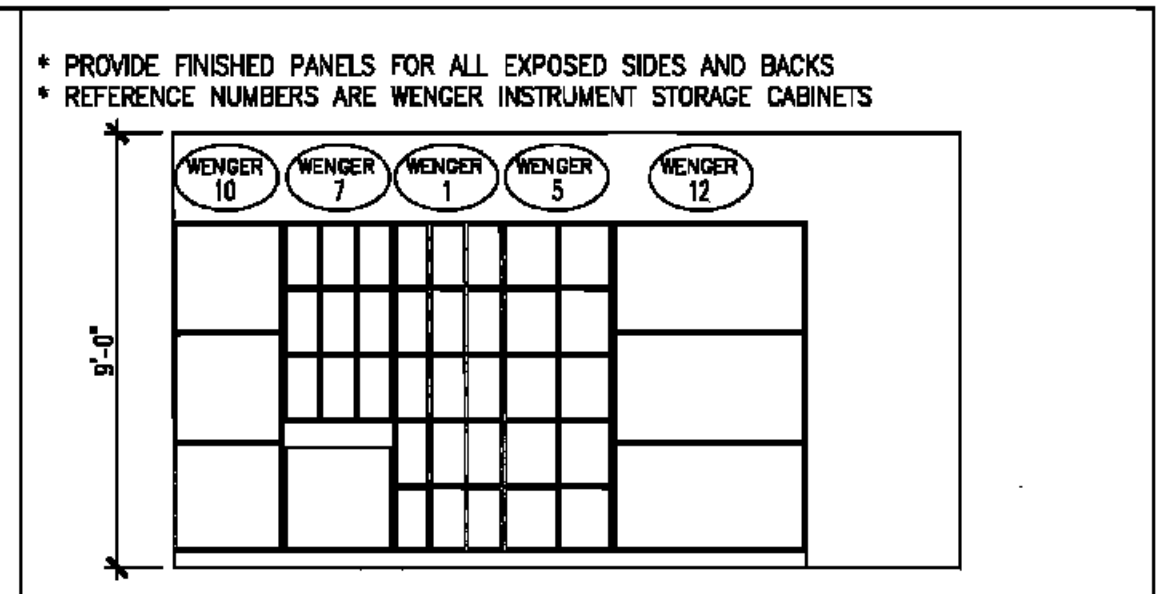
SHEET TITLE:

INTERIOR ELEVATIONS

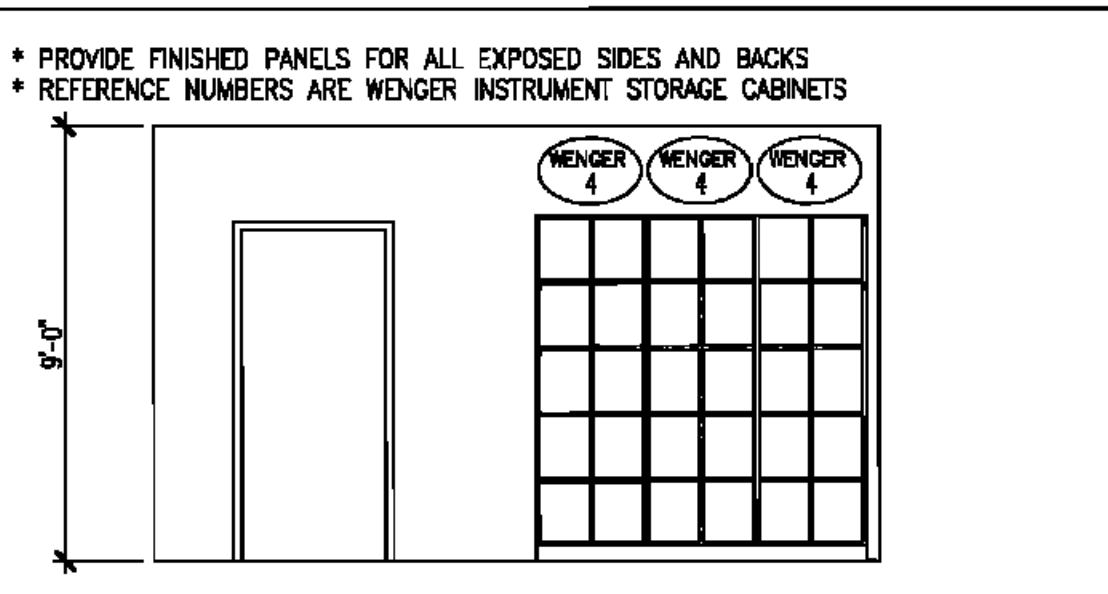
SHEET:

A8.7

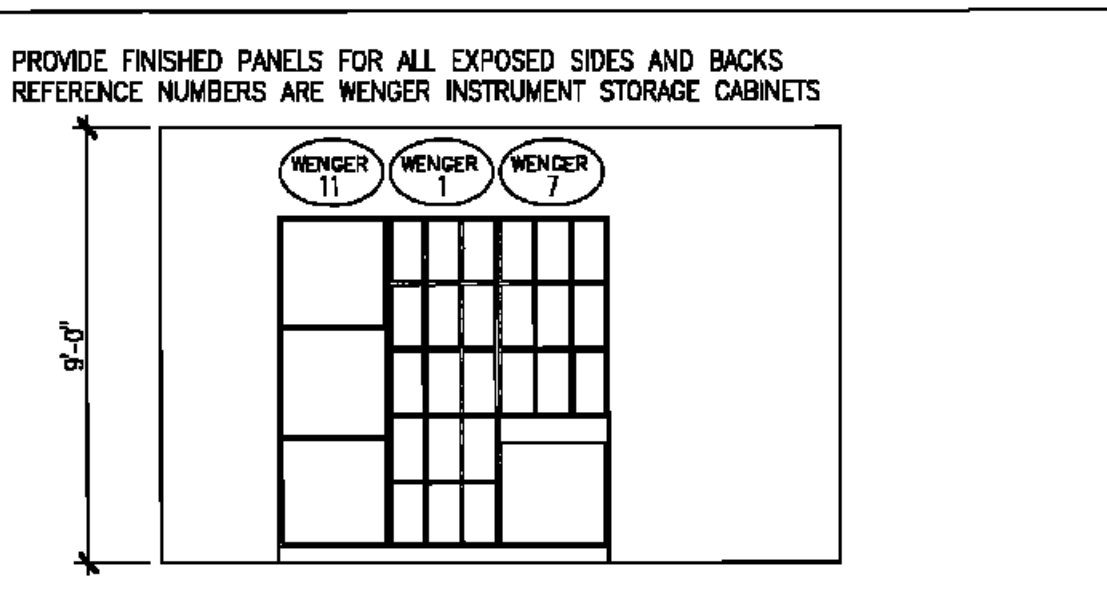
96 OF 223 SHEETS



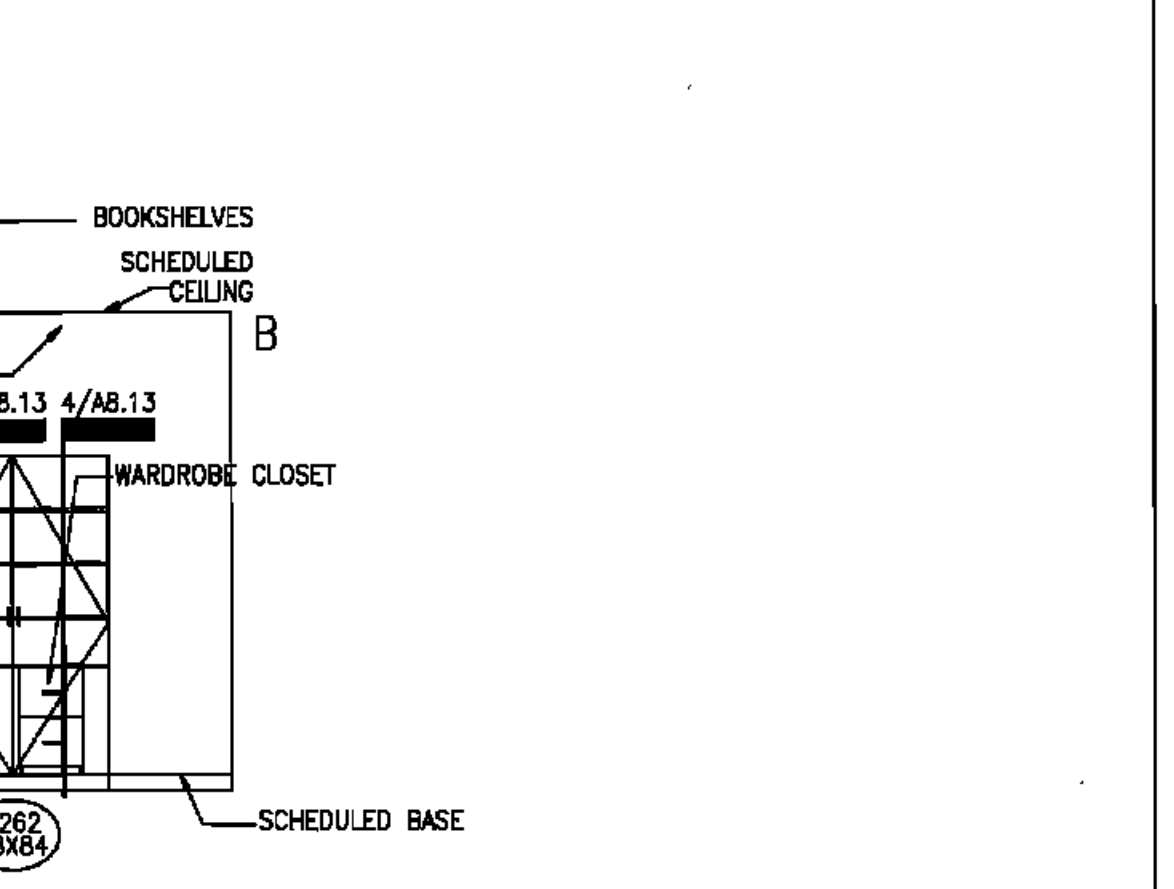
19 INSTRM. STORAGE_A105 1/4" = 1'-0"



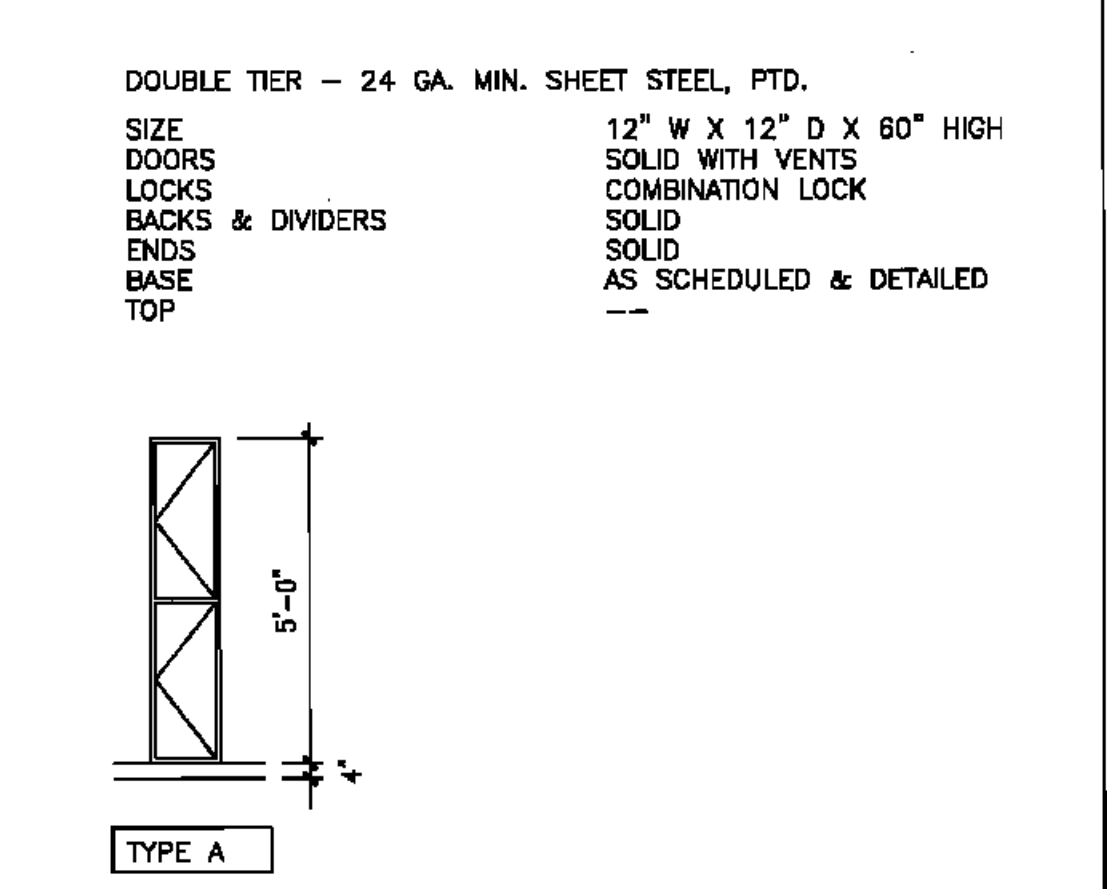
20 INSTRM. STORAGE_A105 1/4" = 1'-0"



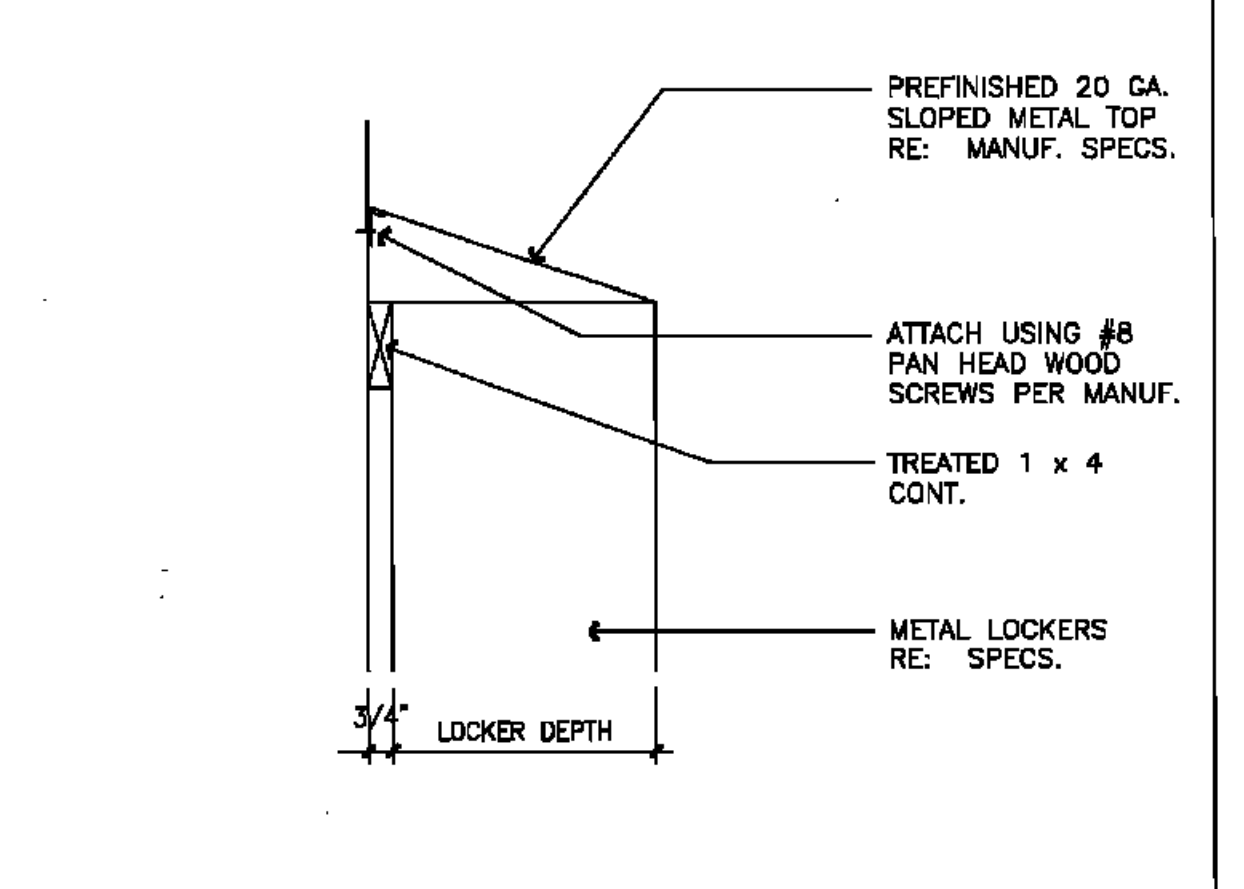
21 INSTRM. STORAGE_A105 1/4" = 1'-0"



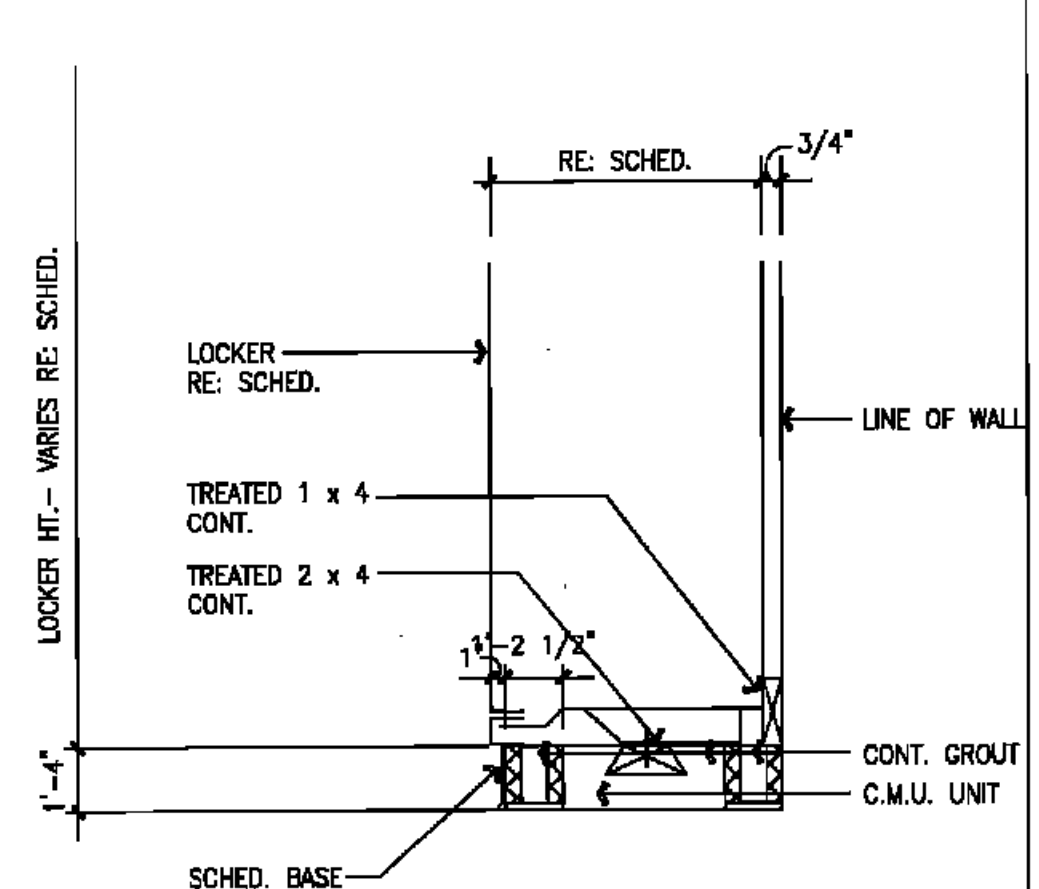
14 ASST. PRINCIPAL OFFICE_C301 1/4" = 1'-0"



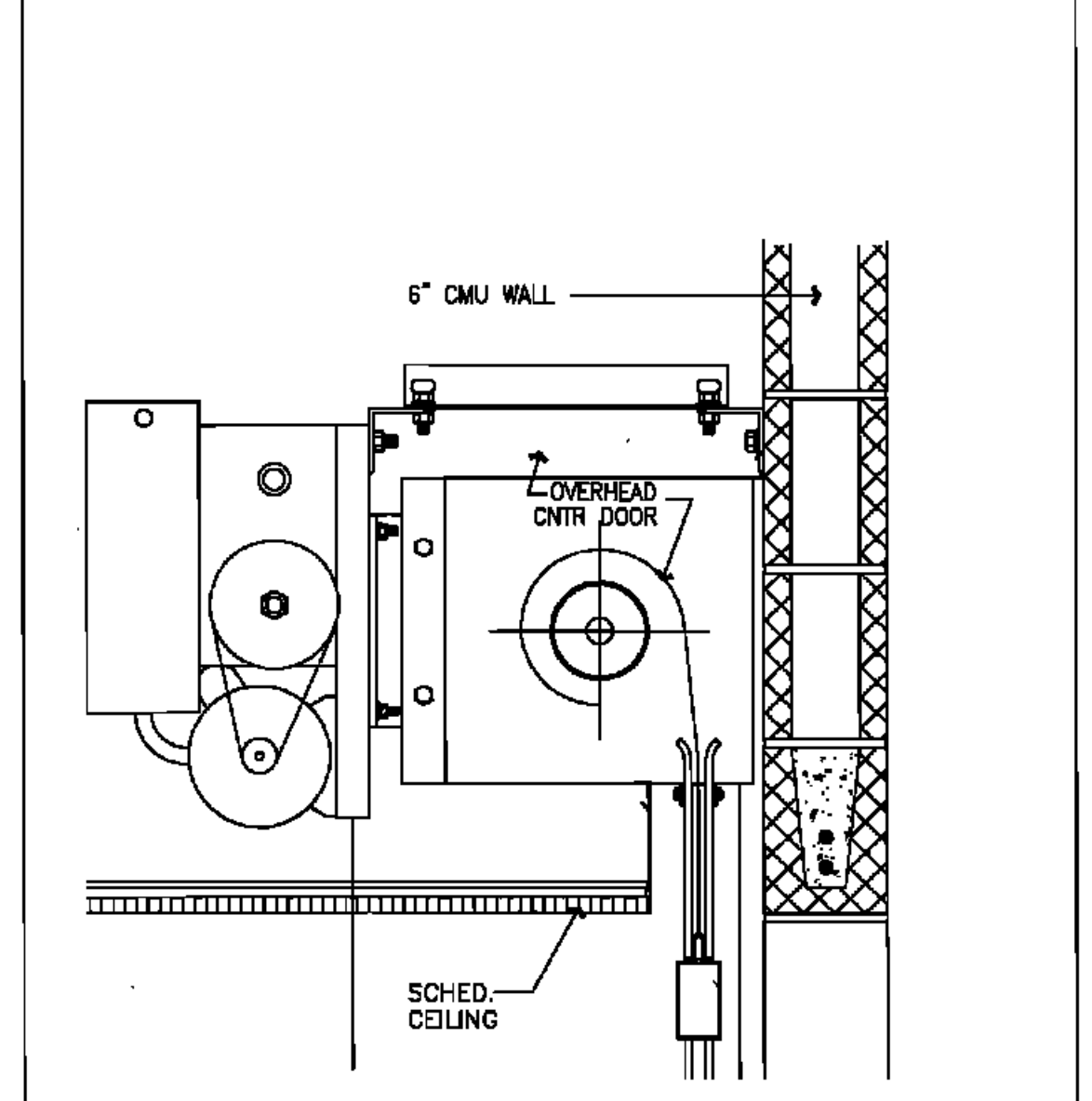
15 LOCKER_TYPE_A 1/4" = 1'-0"



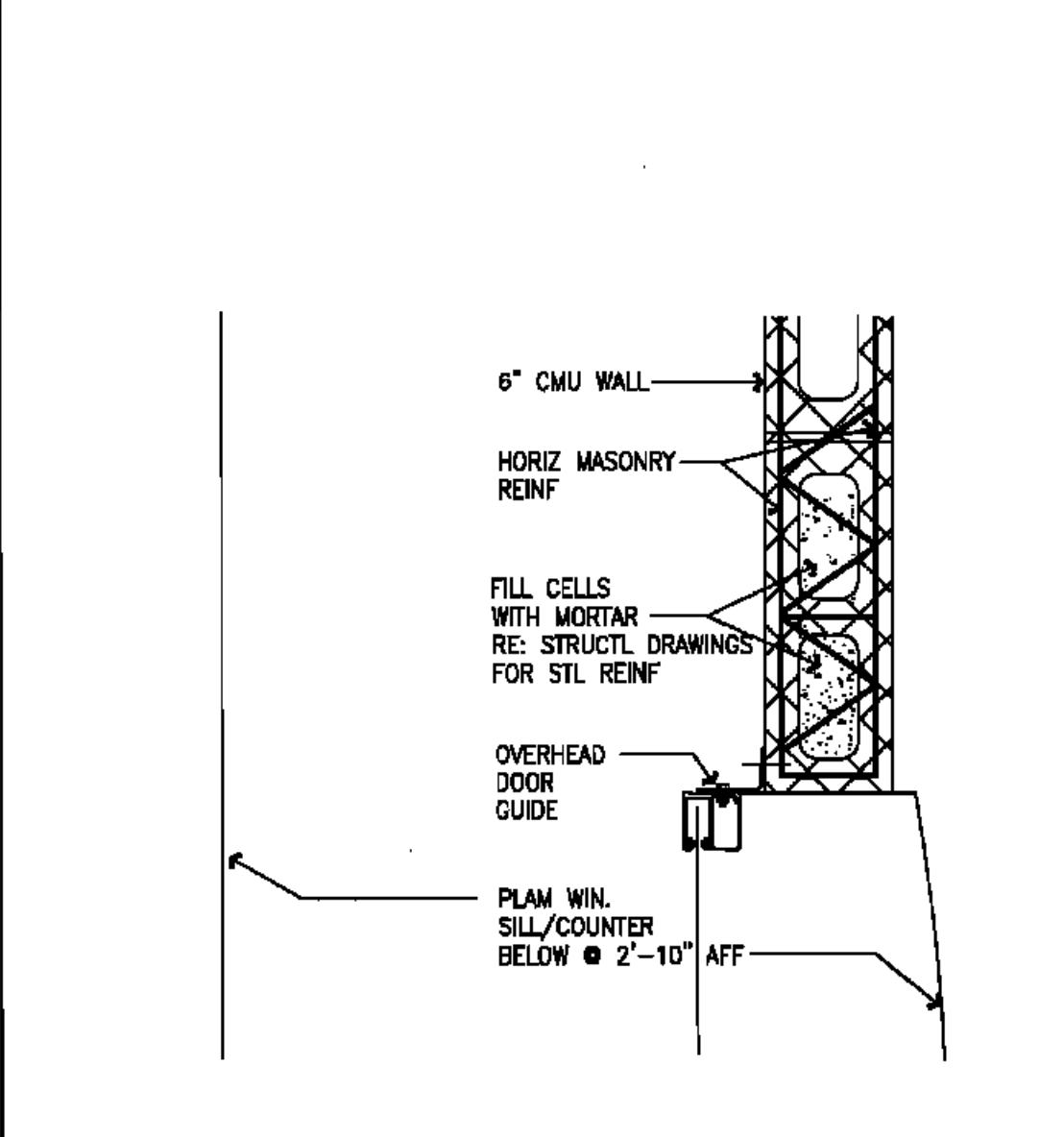
17 LOCKER_DETAILS 1/4" = 1'-0"



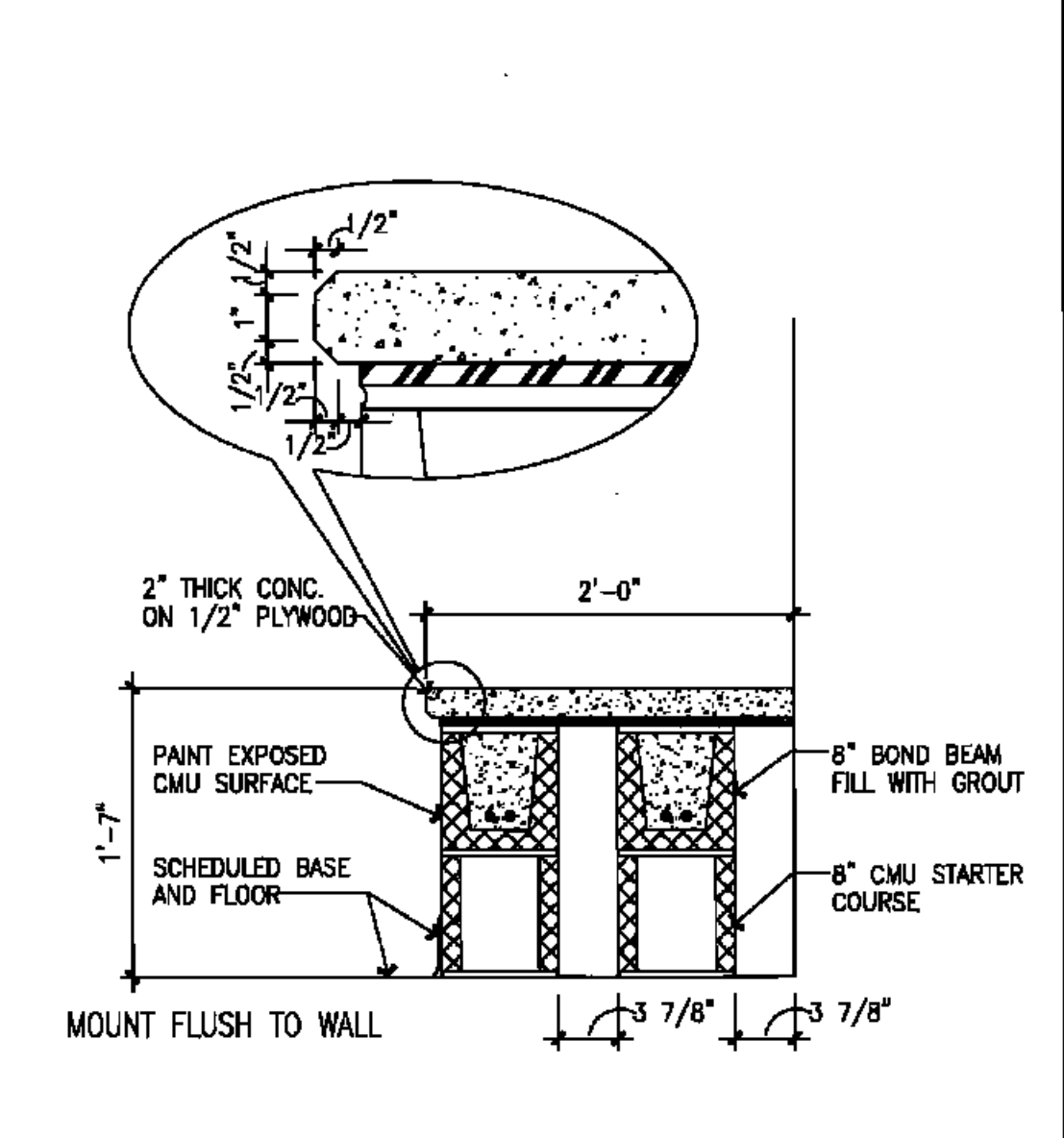
18 TYP. LOCKER BASE 1/4" = 1'-0"



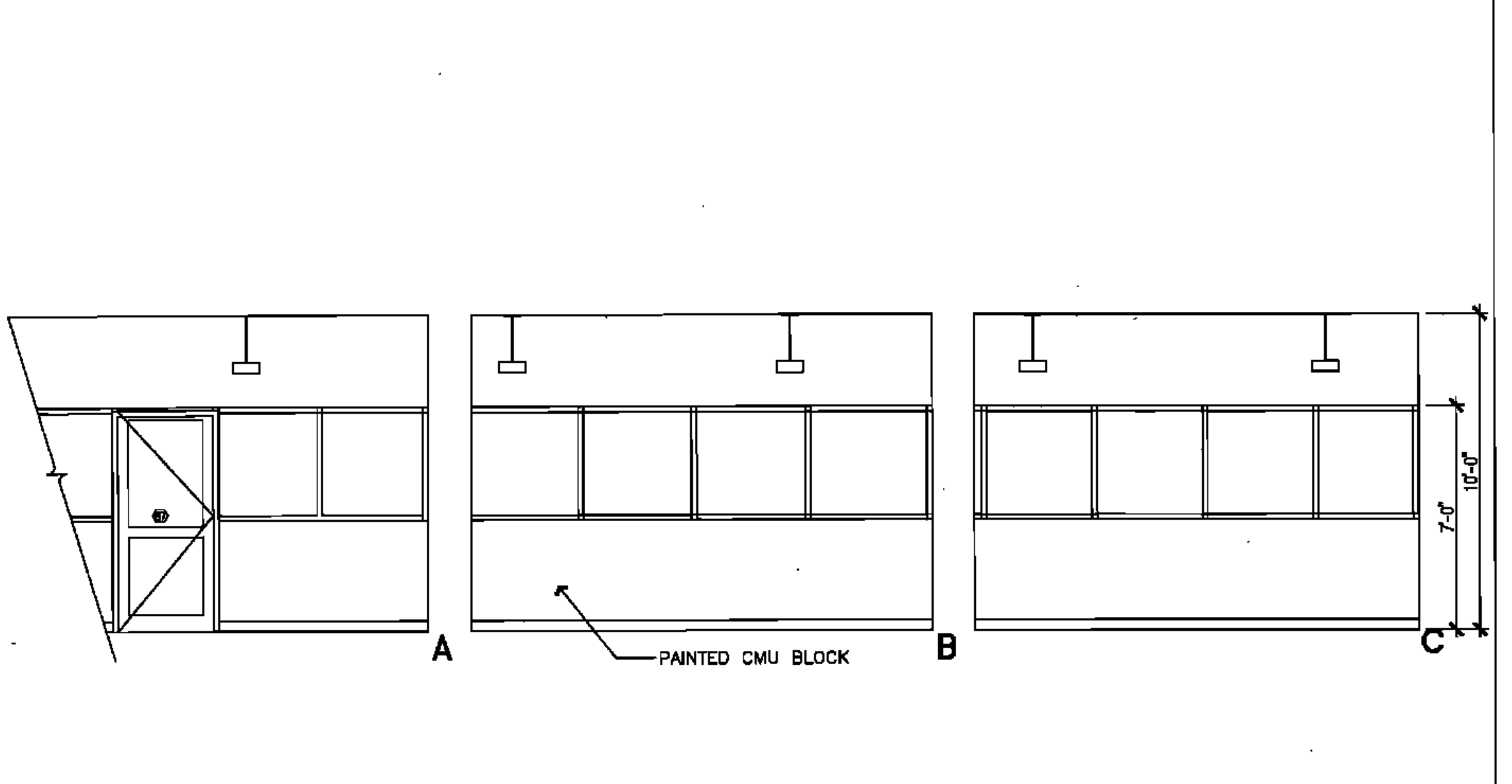
7 OVERHEAD COUNTER DOOR 1 1/2" = 1'-0"



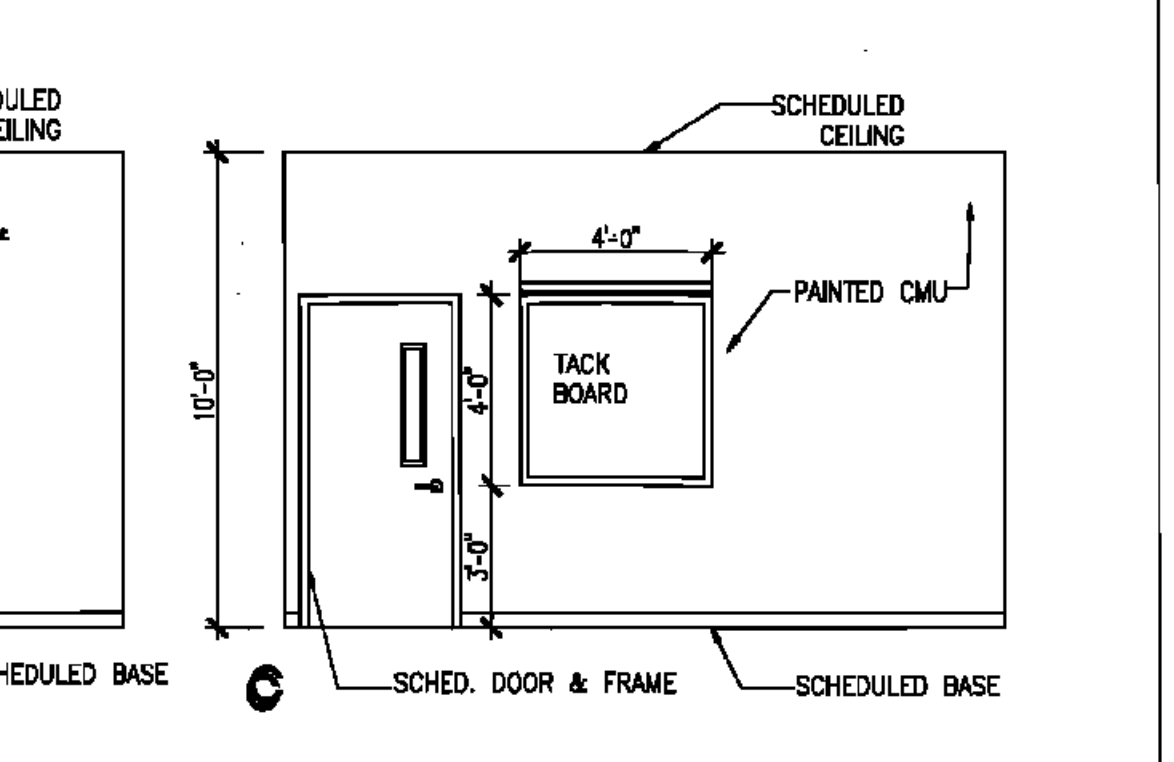
8 OVERHEAD COUNTER DOOR 1/2" = 1'-0"



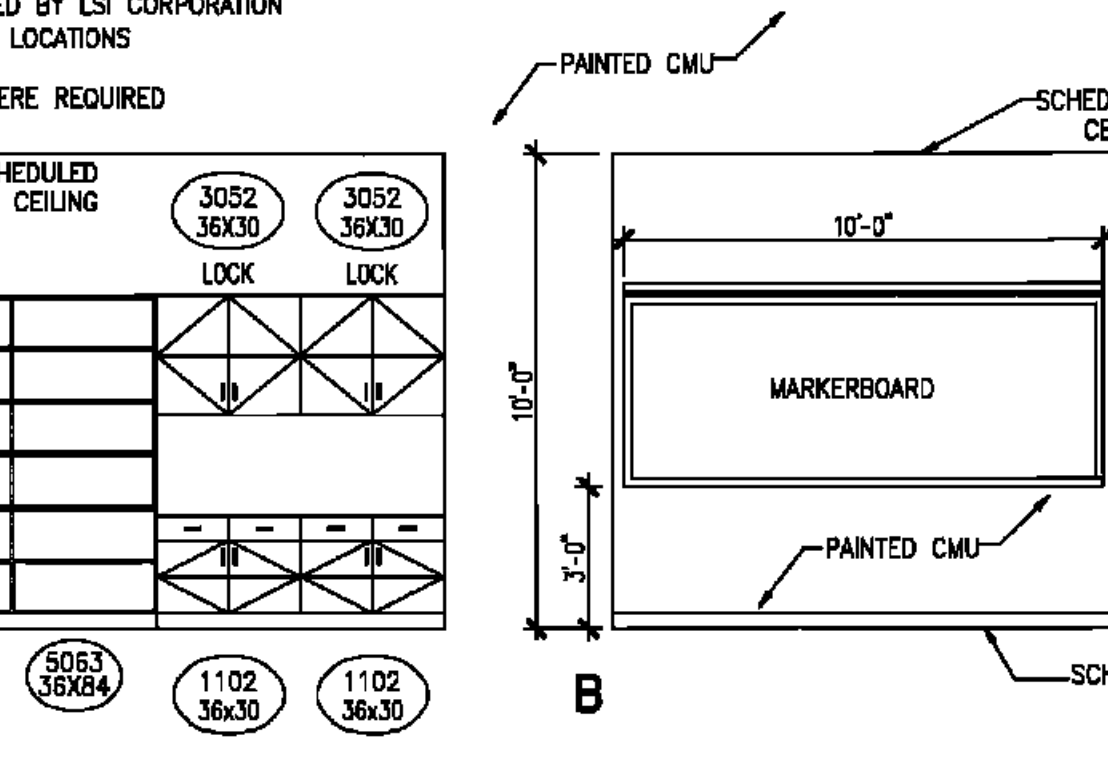
9 BENCH_DETAIL 1" = 1'-0"



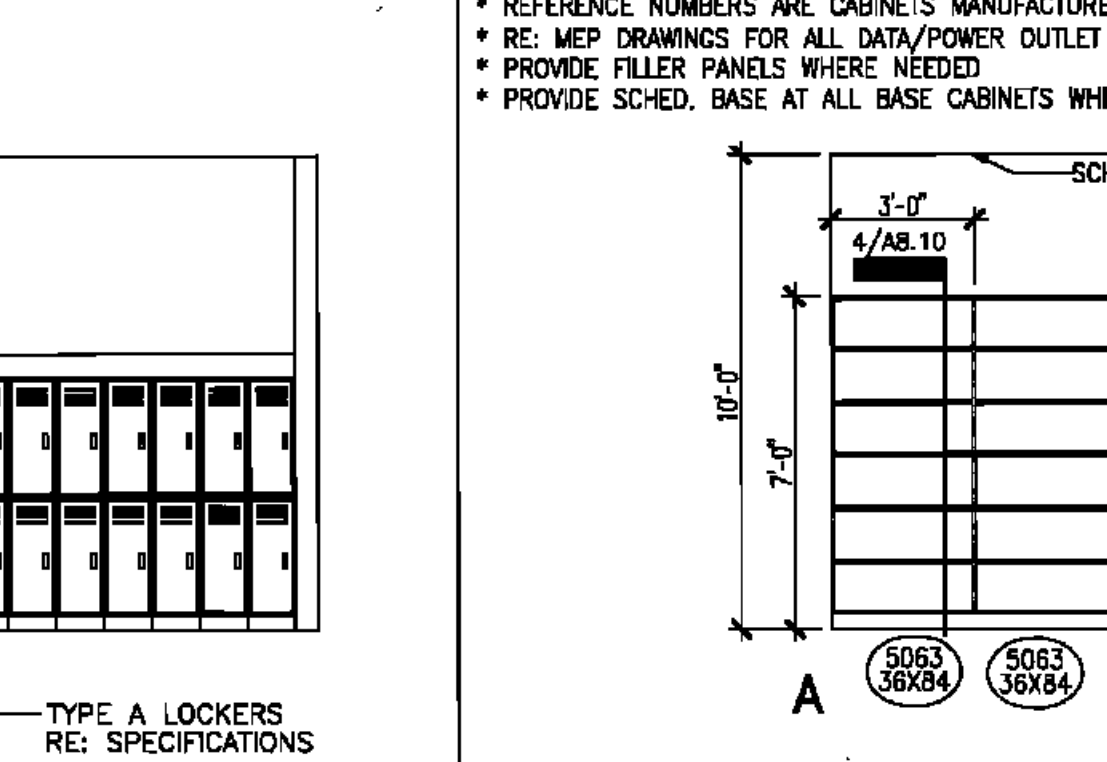
12 COMPUTER_ROOM_B131 1/2" = 1'-0"



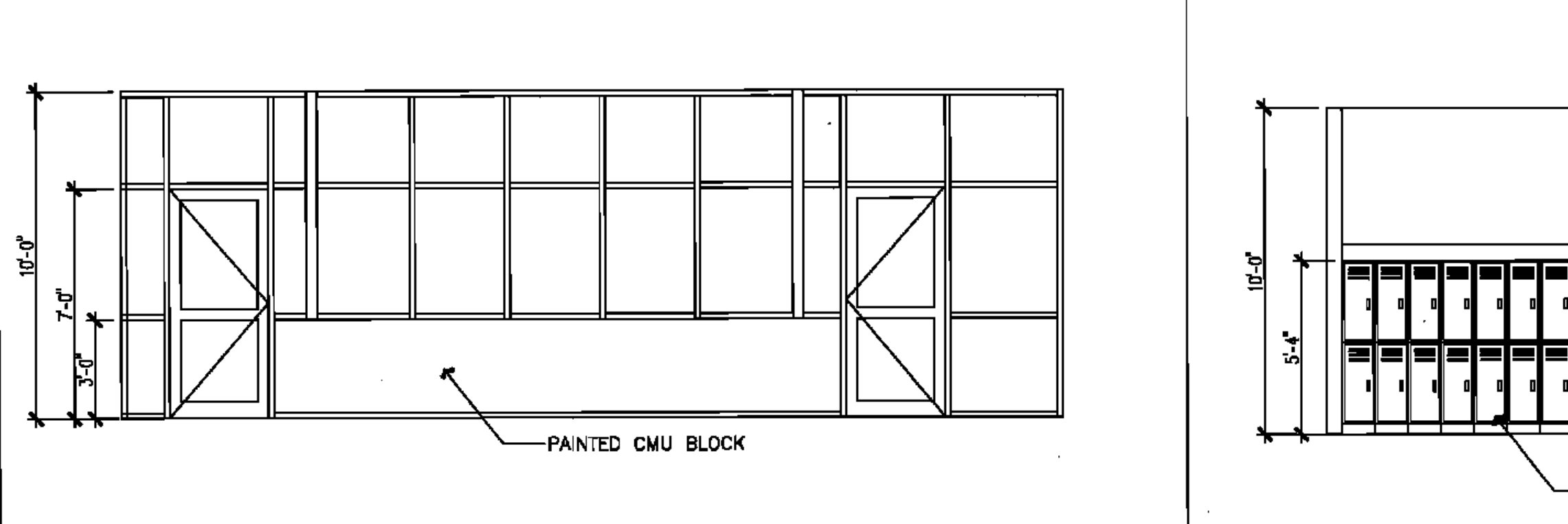
2 TEACHER_CENTER_WORKROOM_C-214/C-314 1/4" = 1'-0"



4 CORRIDOR_C307 1/4" = 1'-0"



6 COMPUTER_ROOM_B131 1/4" = 1'-0"



6 COMPUTER_ROOM_B131 1/4" = 1'-0"