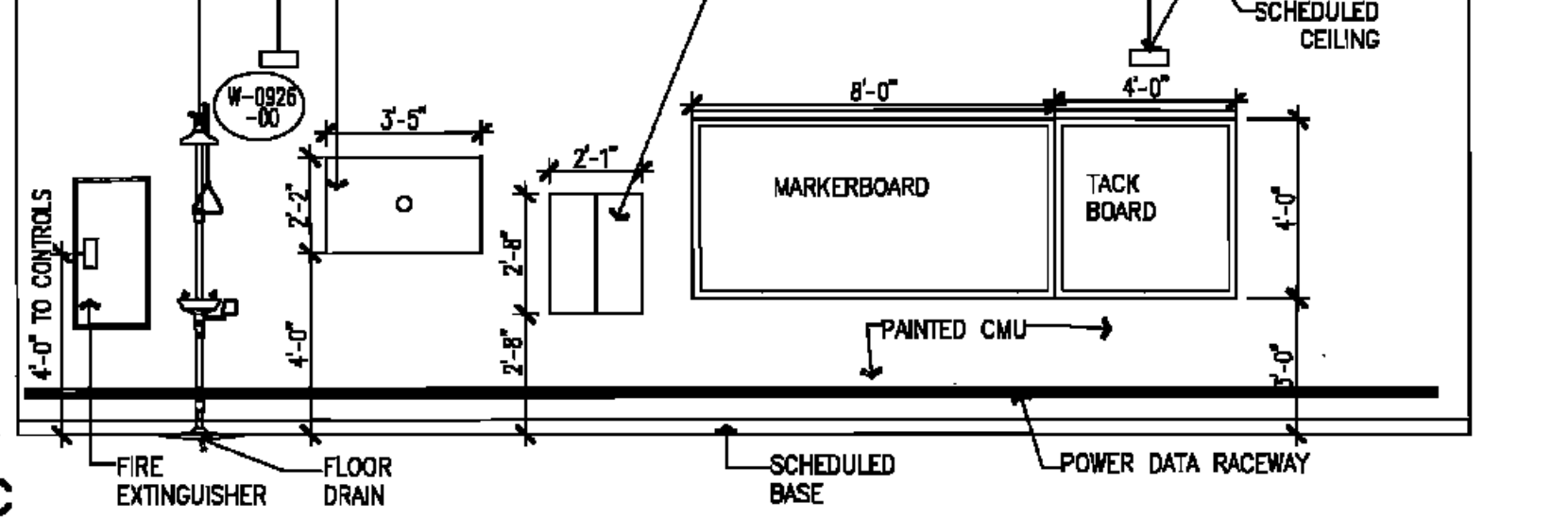
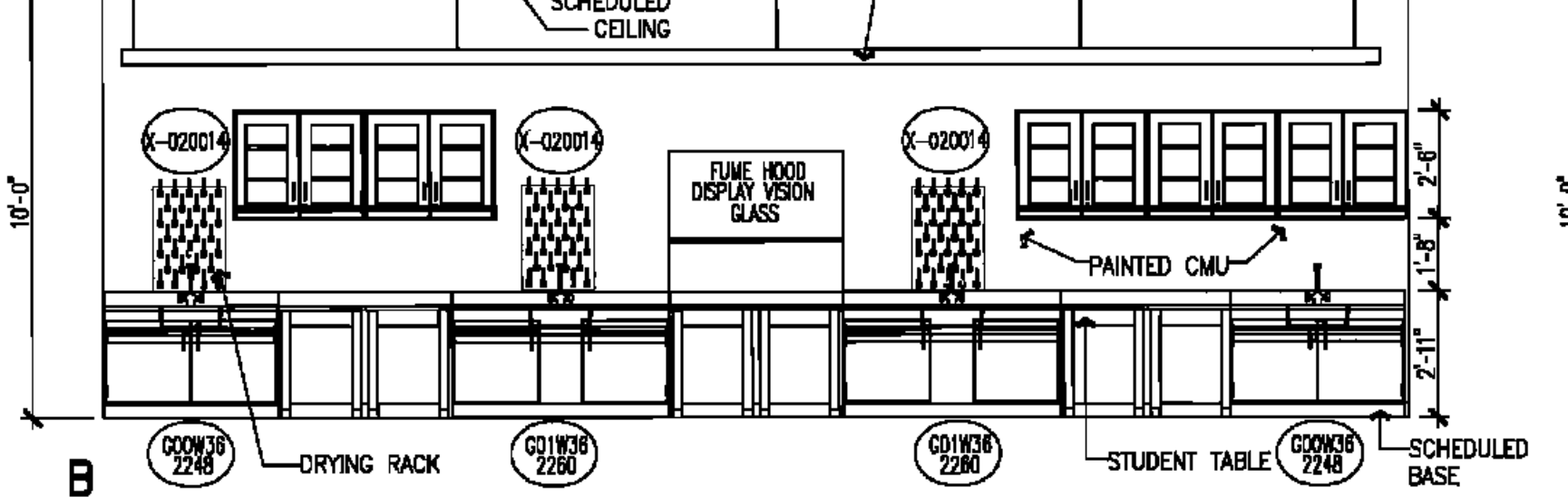
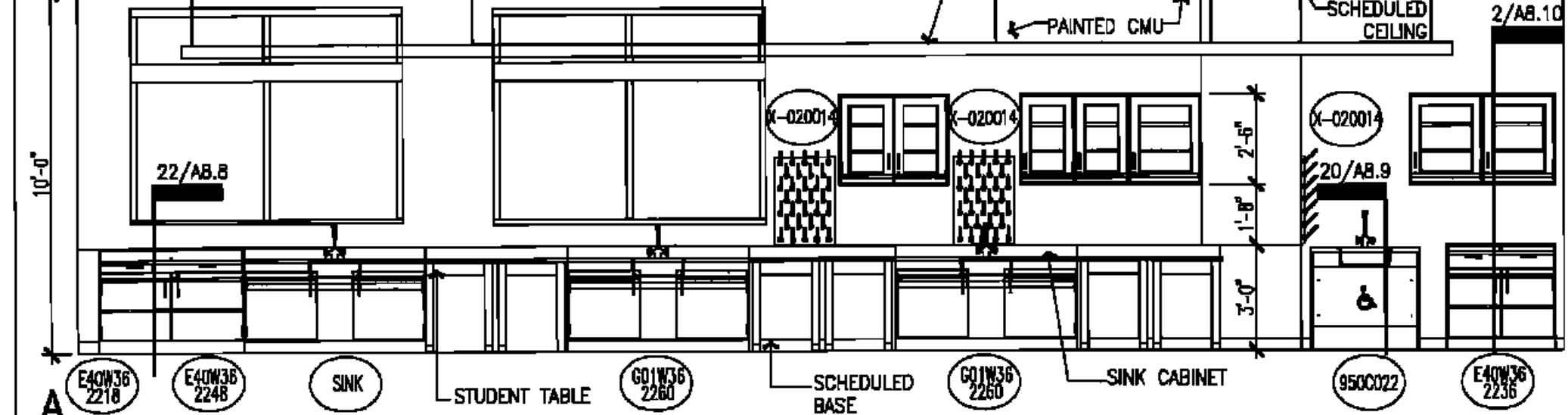


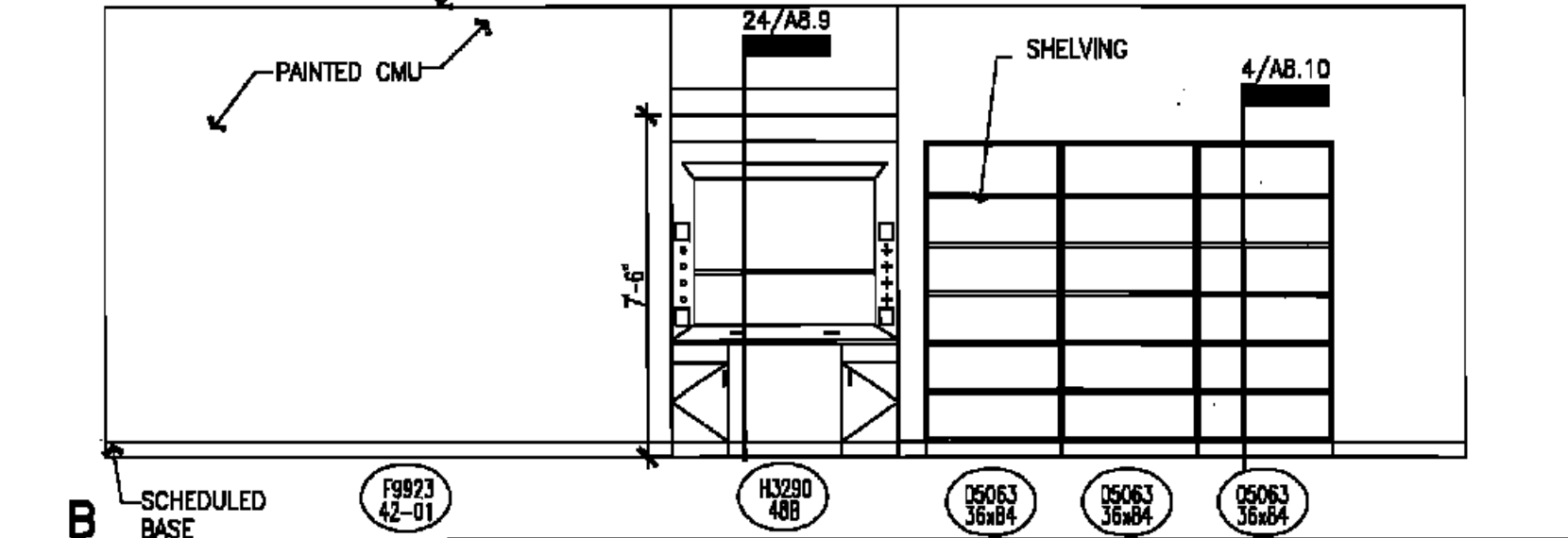
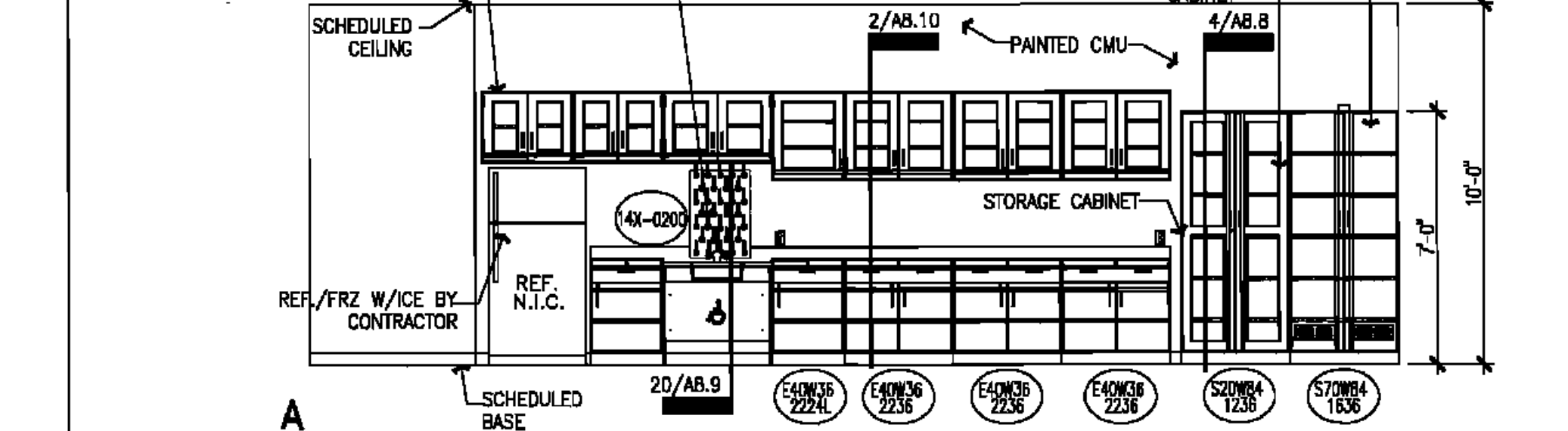
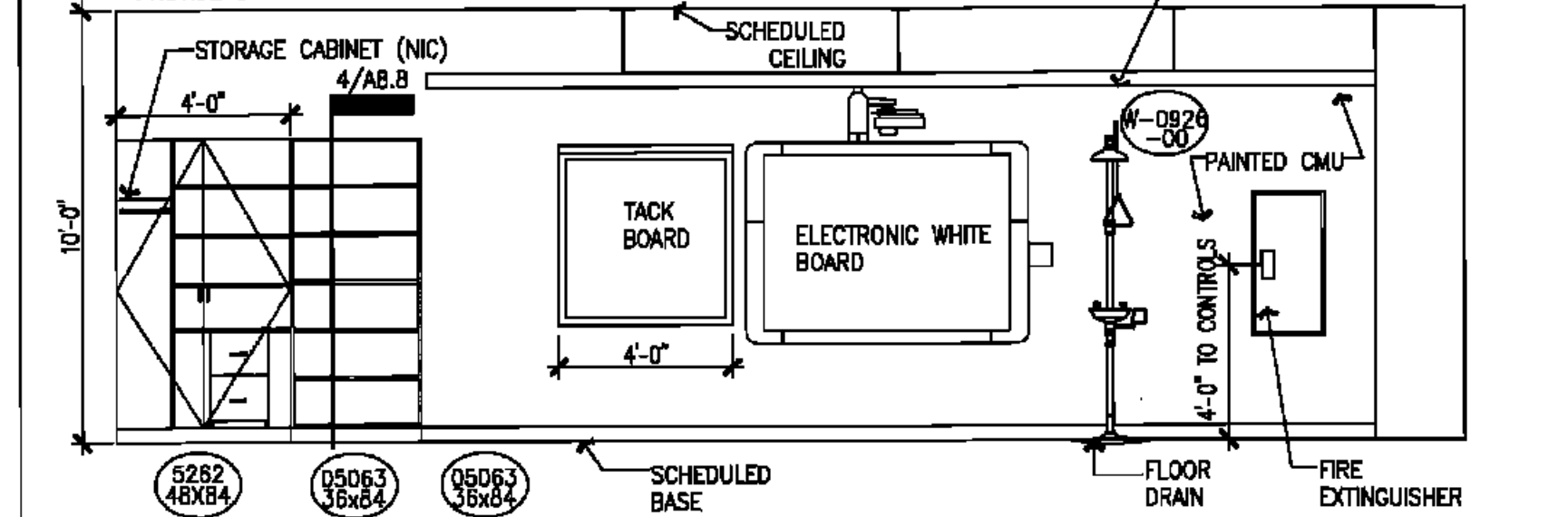
30 RESOURCE_CLASSROOM

- RE: MEP DRAWINGS FOR ALL DATA/POWER OUTLET LOCATIONS
- REFERENCE NUMBERS ARE CABINETS MANUFACTURED BY KEWAUNEE CORPORATION
- CASEWORK MATERIAL TO BE WOOD
- PROVIDE SCHED. BASE AT ALL BASE CABINETS WHERE REQUIRED



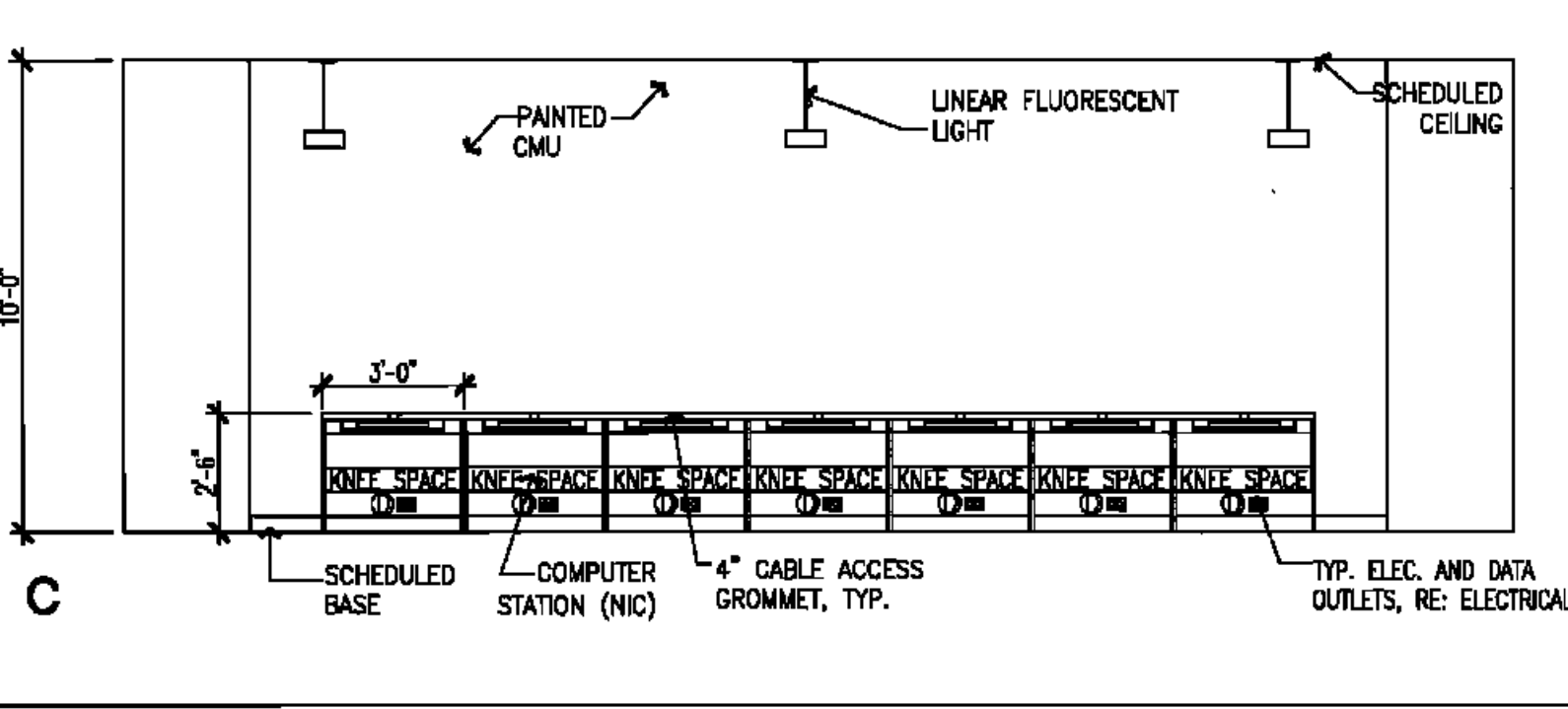
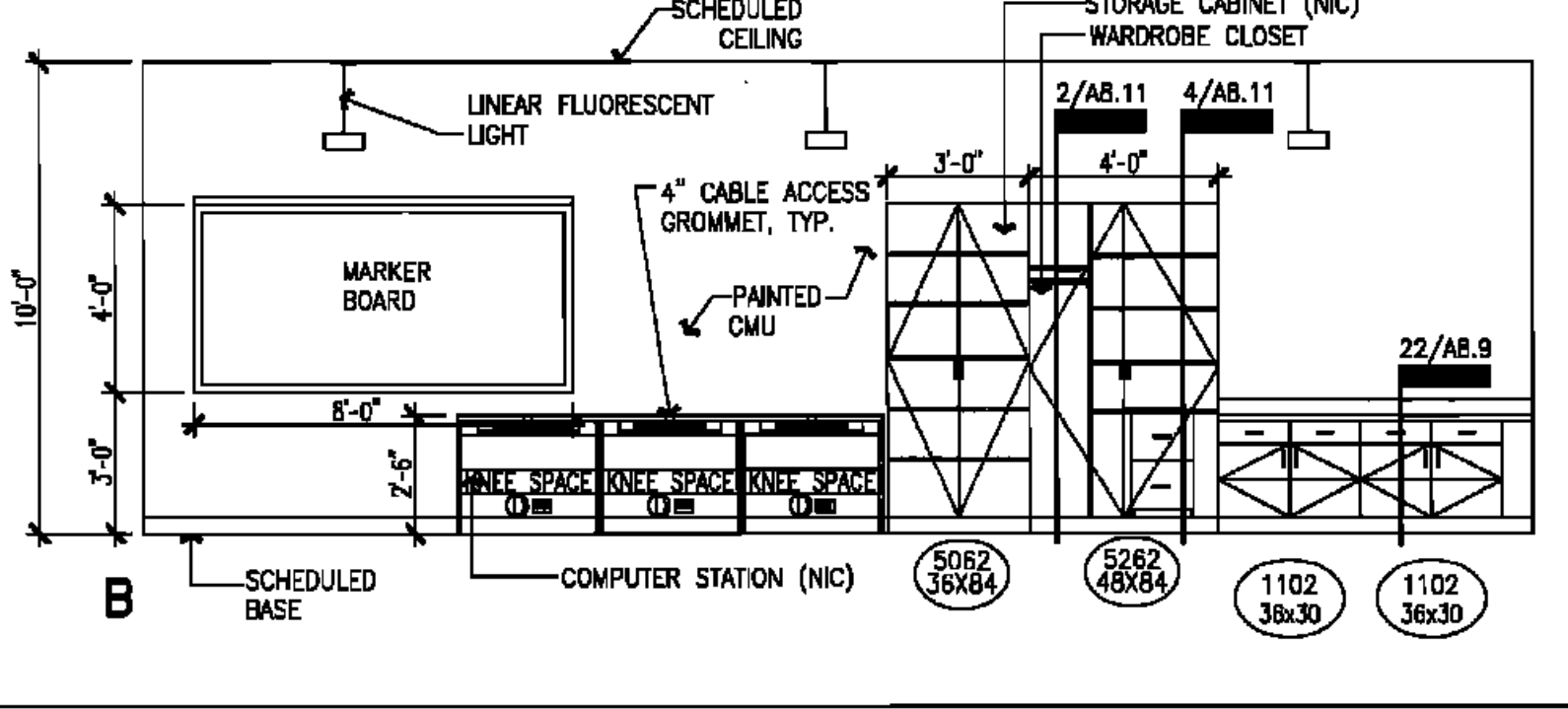
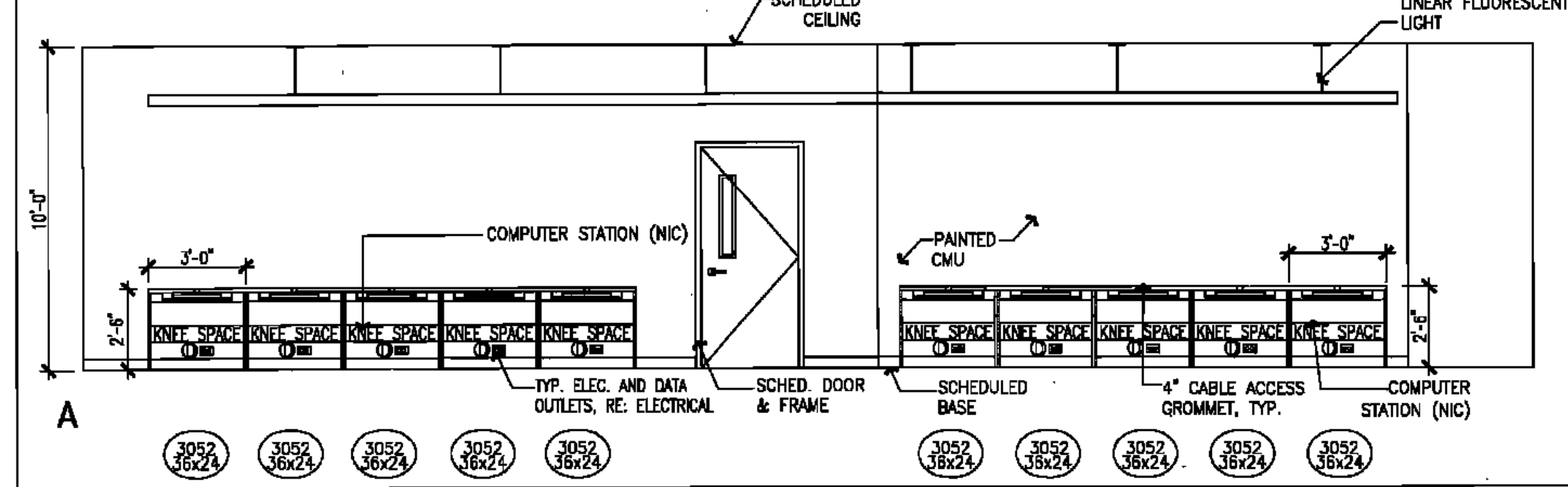
24 SCIENCE_LABORATORY

- REFERENCE NUMBERS ARE CABINETS MANUFACTURED BY KEWAUNEE CORPORATION
- RE: MEP DRAWINGS FOR ALL DATA/POWER OUTLET LOCATIONS
- CASEWORK MATERIAL TO BE WOOD
- PROVIDE SCHED. BASE AT ALL BASE CABINETS WHERE REQUIRED



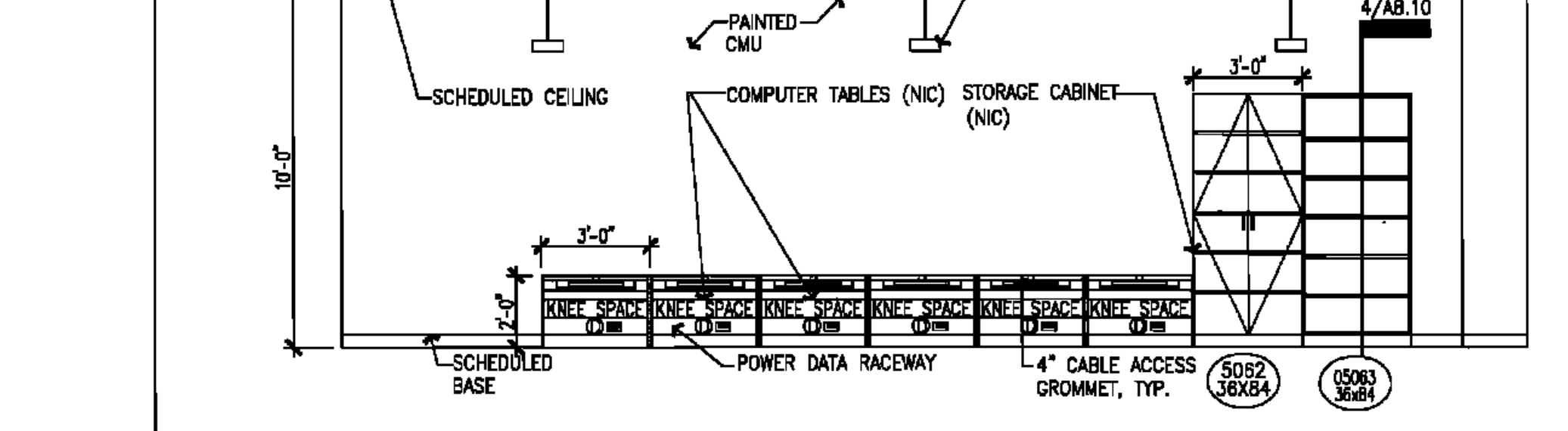
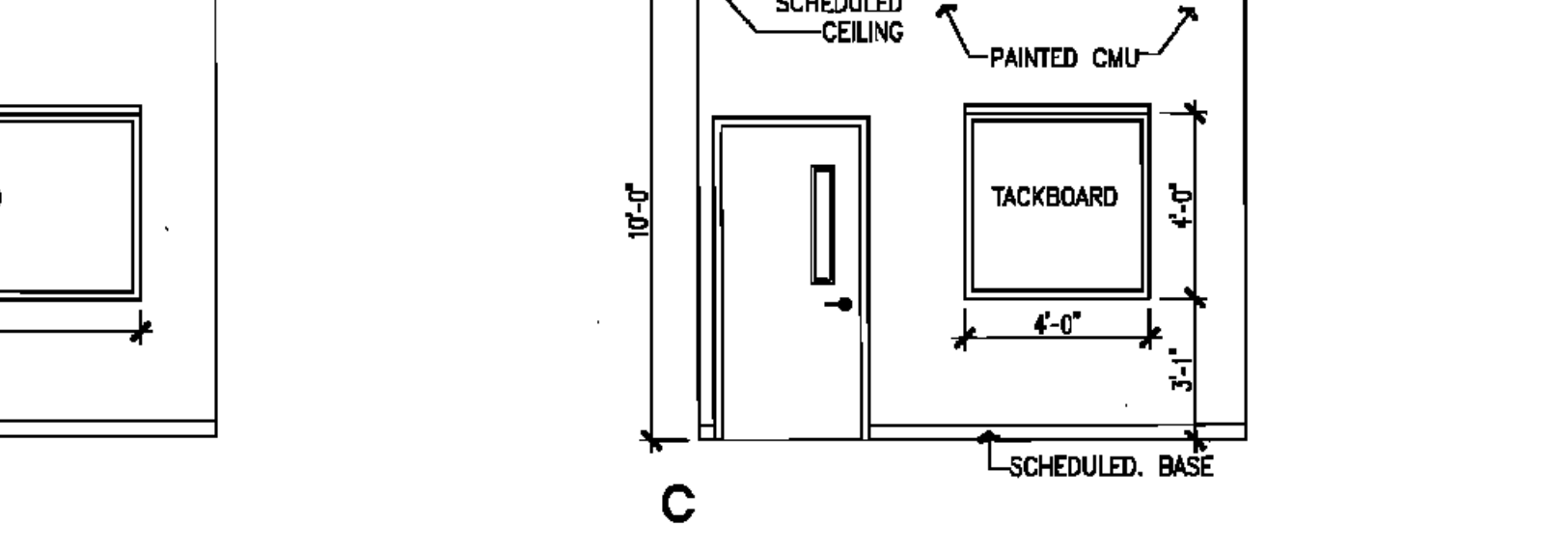
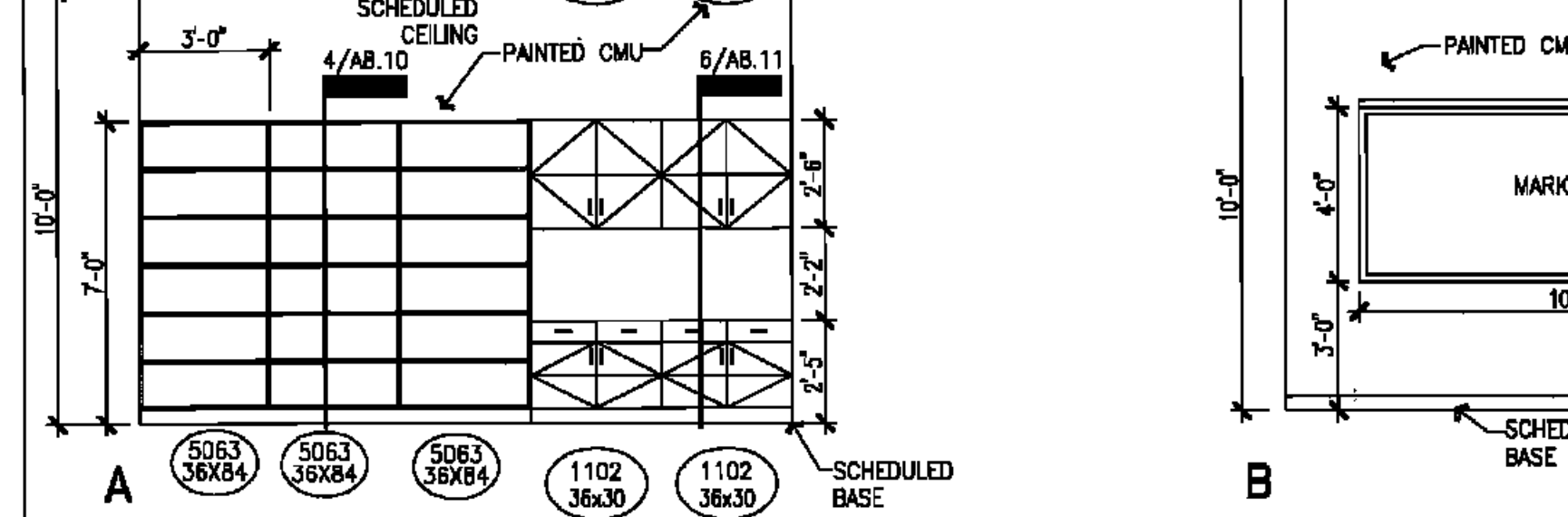
18 SCIENCE_LABORATORY

16 SCIENCE_PREP_ROOM_TYP.



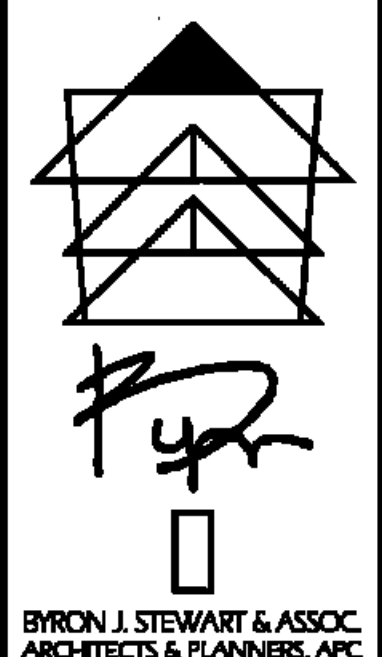
12 COMPUTER_CLASSROOM_C208

- REFERENCE NUMBERS ARE CABINETS MANUFACTURED BY LSI CORPORATION
- RE: MEP DRAWINGS FOR ALL DATA/POWER OUTLET LOCATIONS
- PROVIDE FILLER PANELS WHERE NEEDED



6 SPEECH_C207

2 2ND_AND_8TH_GRADE_CLASSROOMS



BYRON J. STEWART & ASSOC.
ARCHITECTS & PLANNERS, APC

PRK
Architecture
Engineering
Planning
Facility Consulting

CARTER G. WOODSON SCHOOL
RECOVERY SCHOOL DISTRICT
2514 THIRD STREET
NEW ORLEANS, LOUISIANA

FOR CONSTRUCTION

JOB NUMBER: **BJS 128**

DATE: **4/28/10**

DRAWN BY: **MLH/JAY**

CHECKED BY: **L.R.P.B.**

NO.	DATE	REVISION

INTERIOR ELEVATIONS

SHEET TITLE:

A8.6