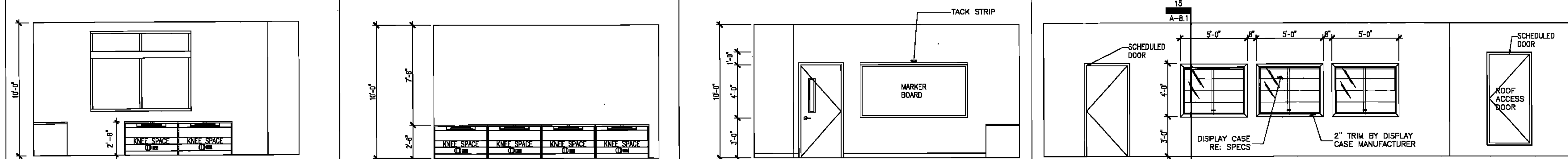
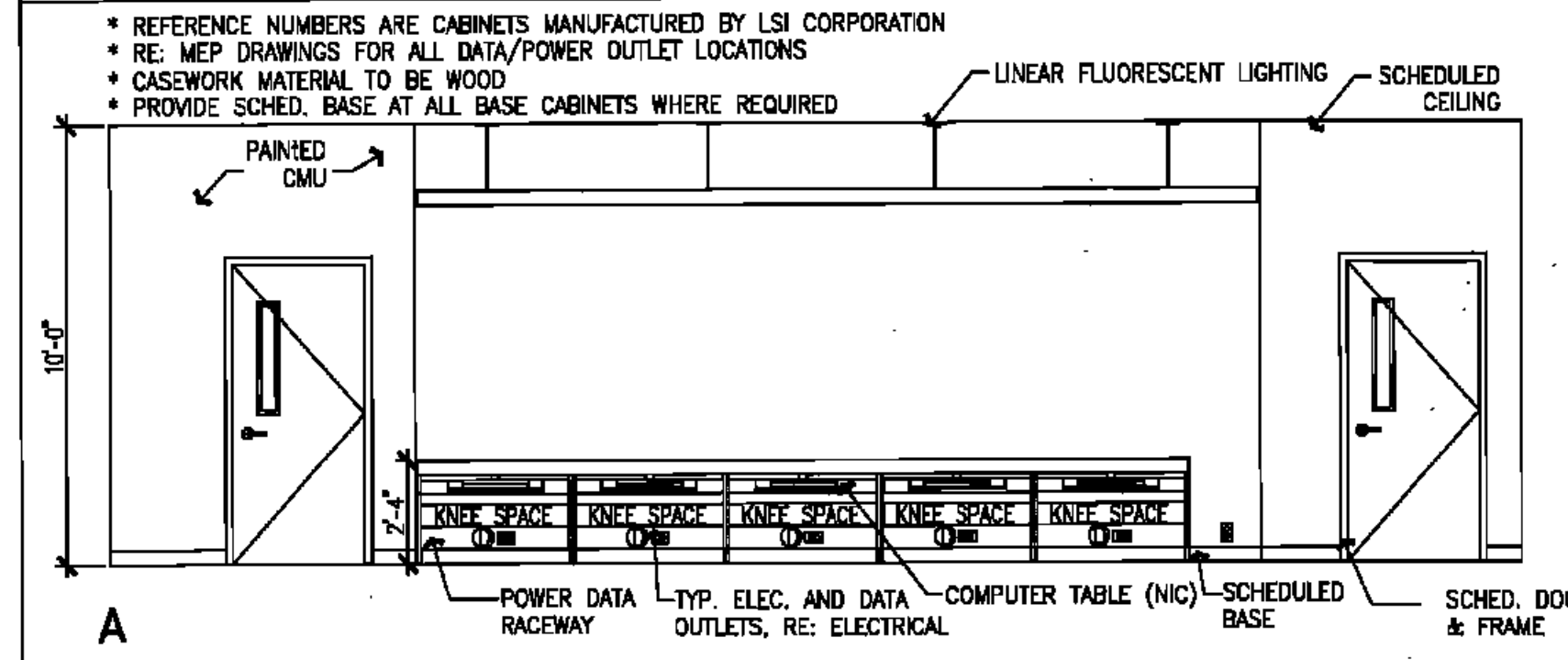


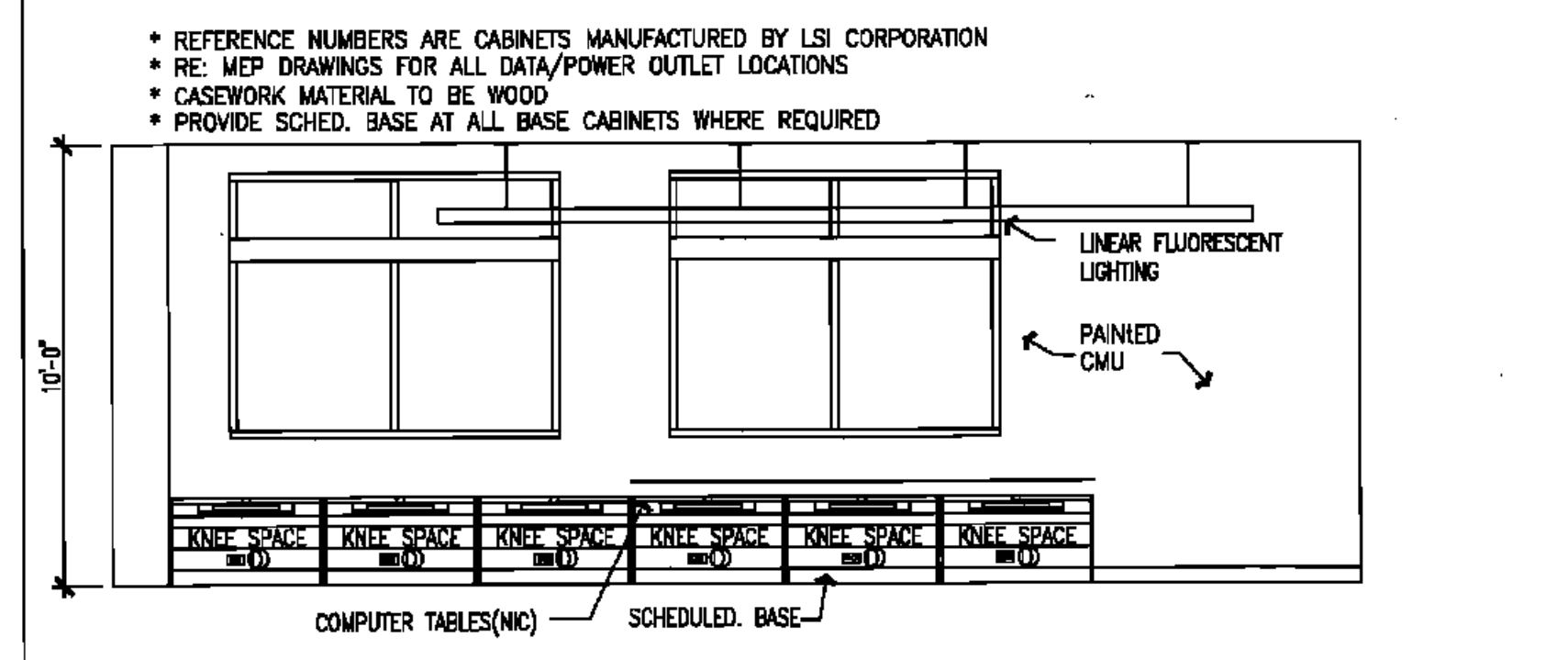
30 2ND_THROUGH_8TH_GRADE_CLASSROOM_TYP. 1/4" = 1'-0" 25 TIME_OUT_ROOM 1/4" = 1'-0"



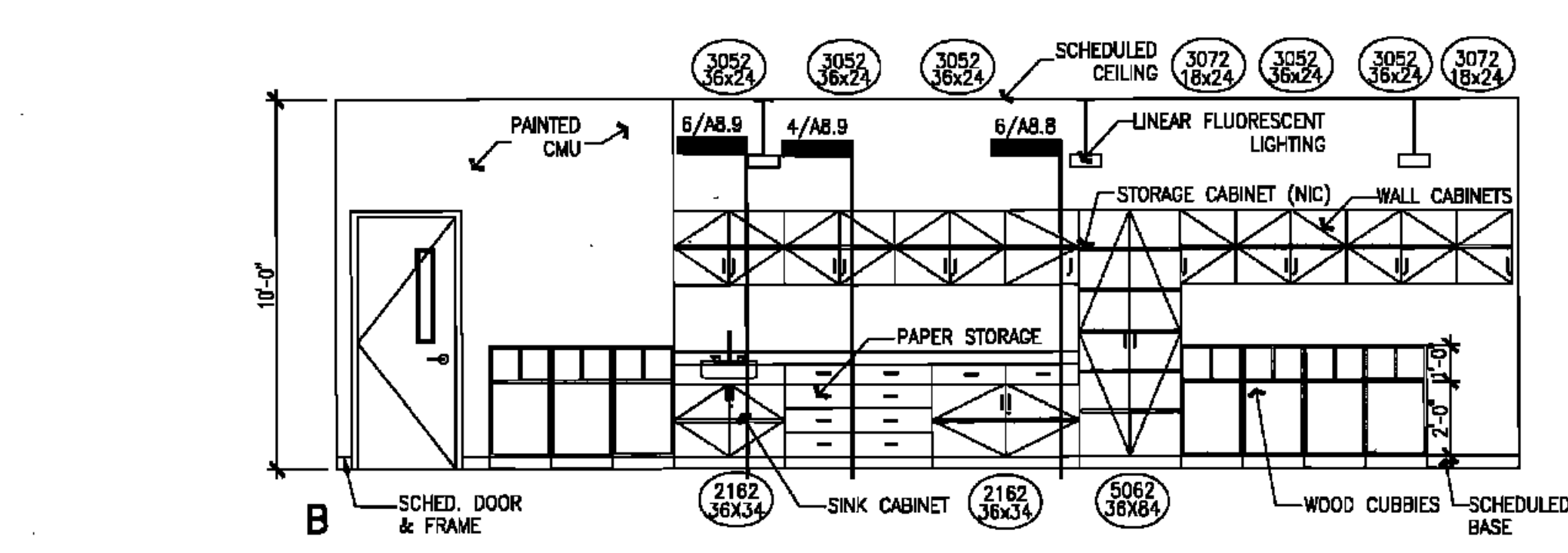
24 TIME_OUT_ROOM 1/4" = 1'-0" 23 TIME_OUT_ROOM 1/4" = 1'-0" 21 TIME_OUT_ROOM 1/4" = 1'-0" 20 CORRIDOR C217 1/4" = 1'-0"



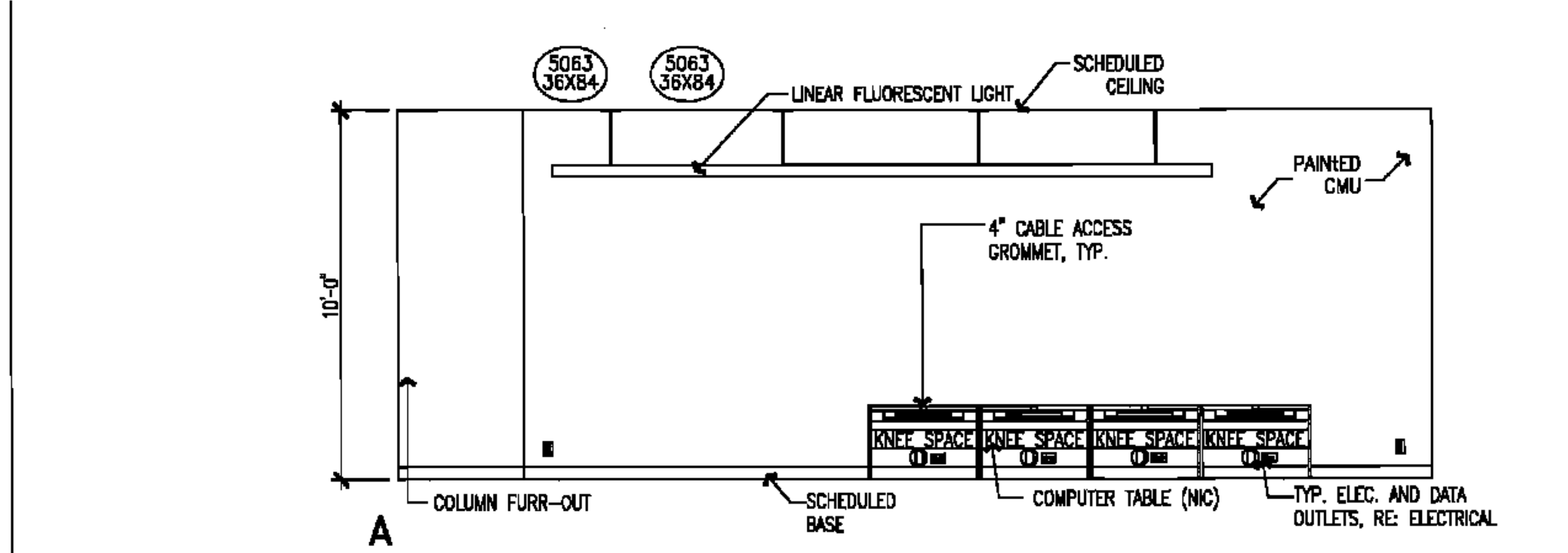
18 PRE_K_AND_K_CLASSROOM_TYP. 1/4" = 1'-0"



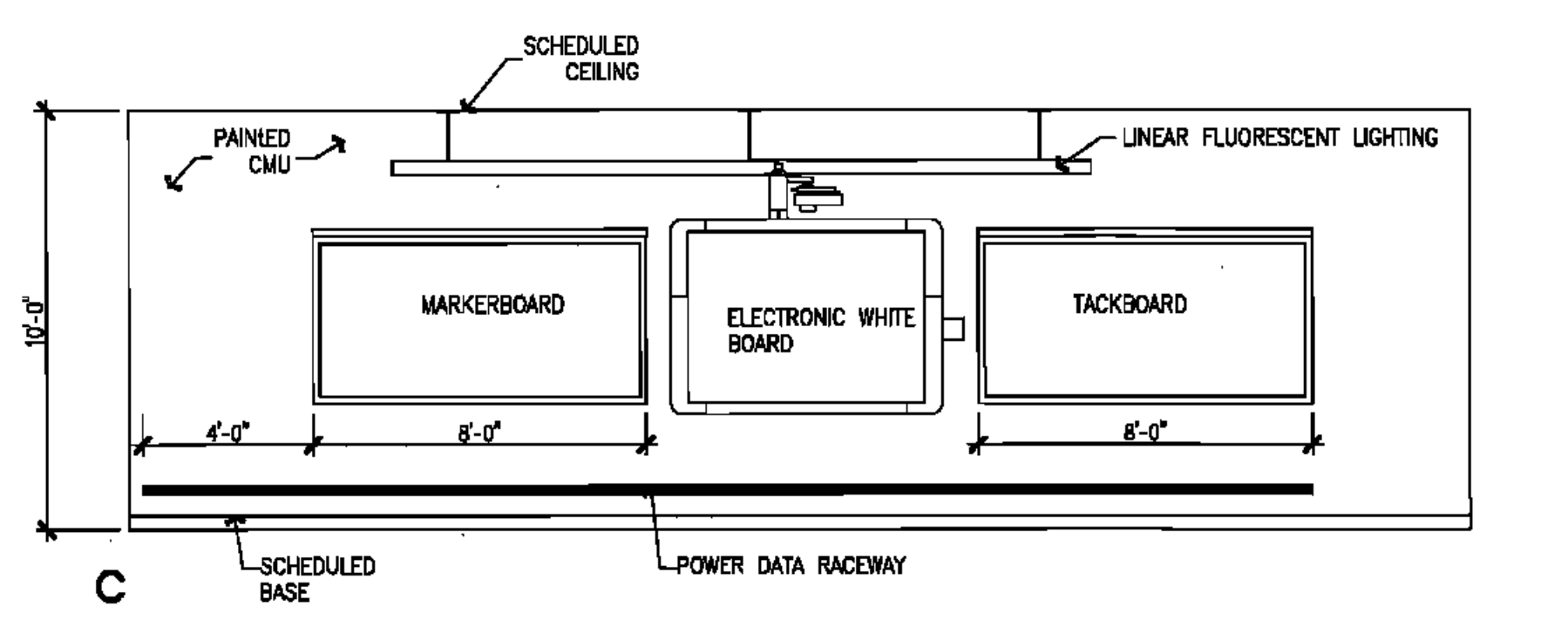
12 PRE_K_CLASSROOM 1/4" = 1'-0"



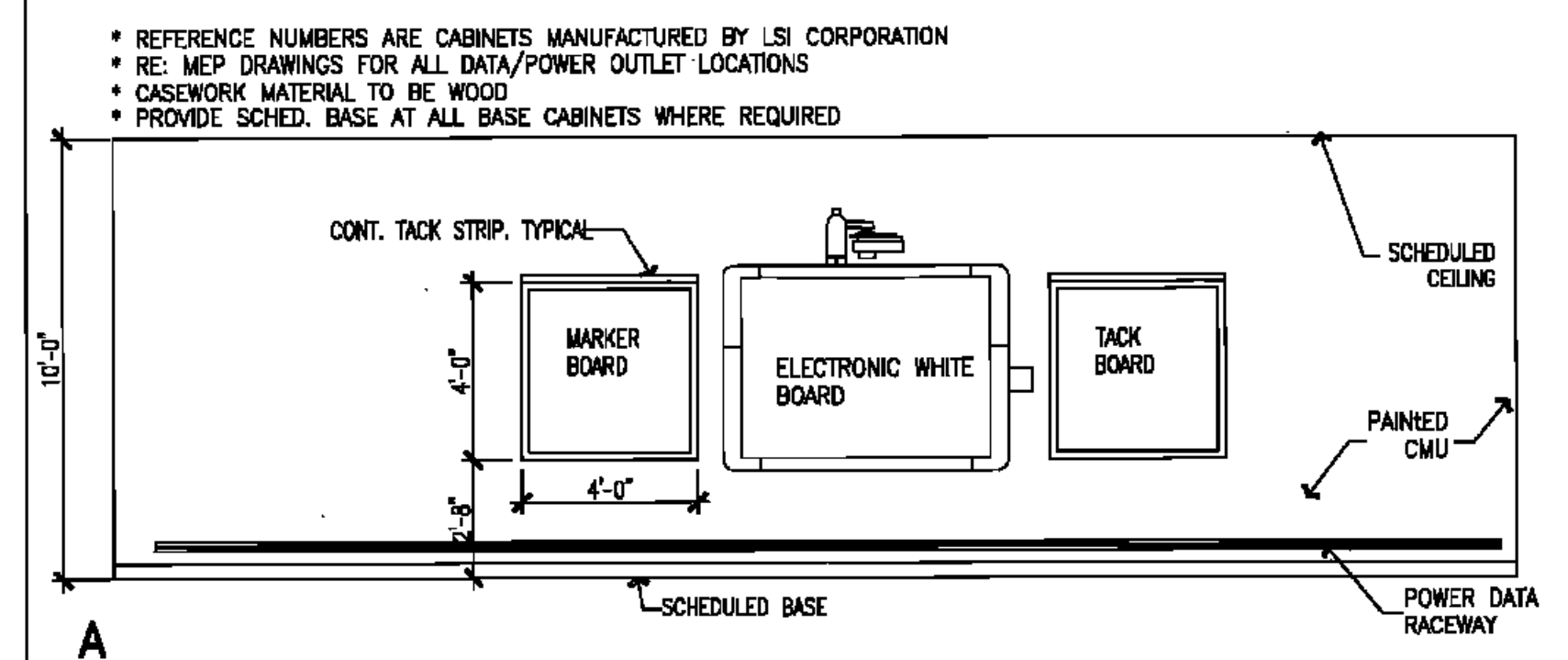
10 SELF_CONTAINED_CLASSROOM_C111 1/4" = 1'-0"



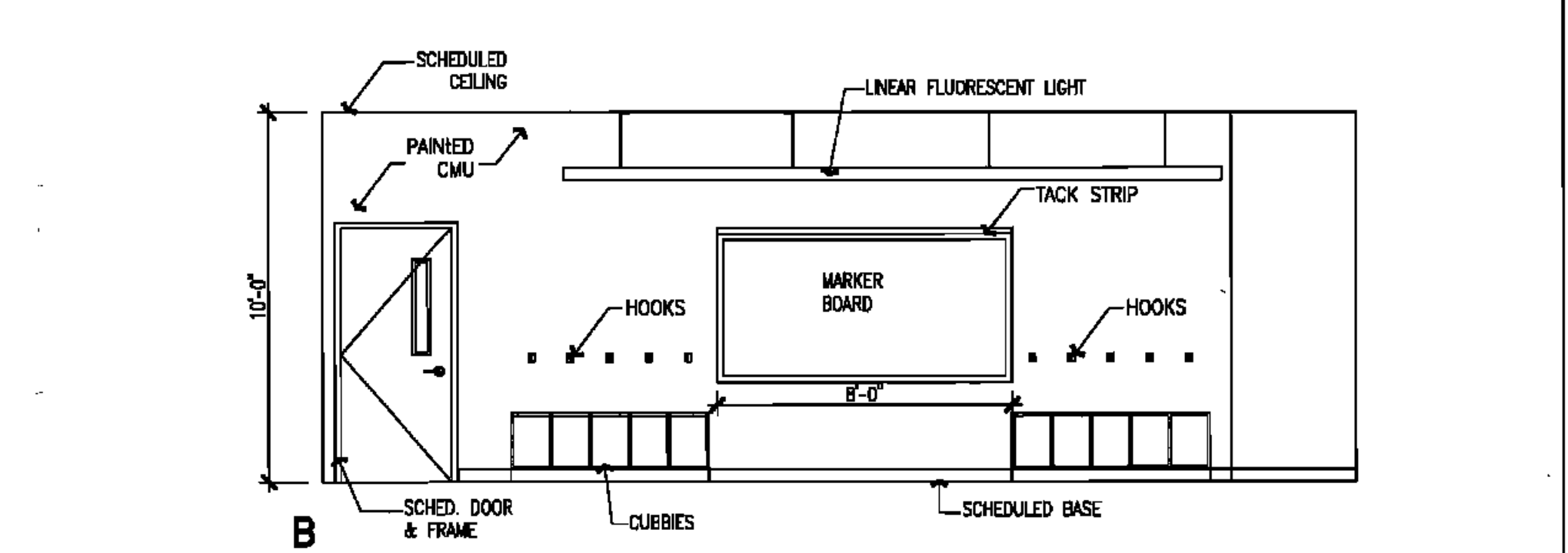
6 SELF_CONTAINED_CLASSROOM_C111 1/4" = 1'-0"



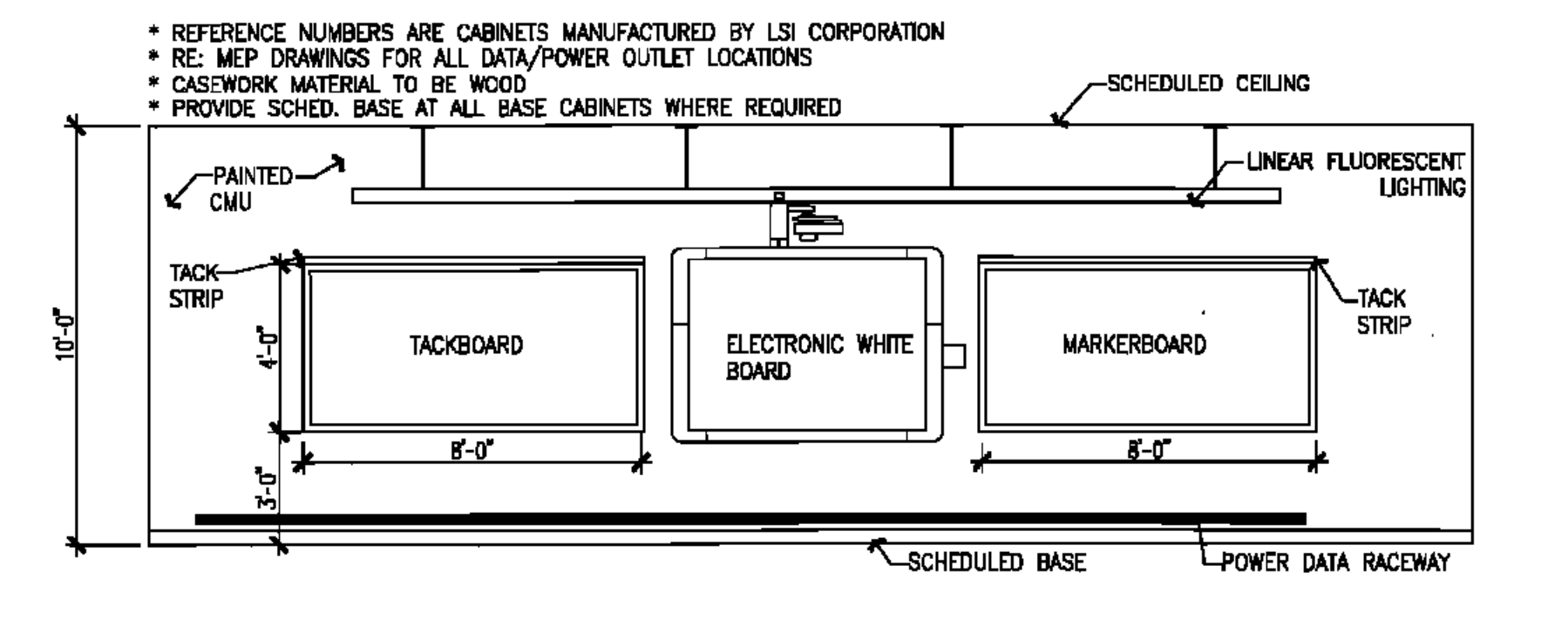
2 1ST_AND_2ND_GRADE_CLASSROOMS 1/4" = 1'-0"



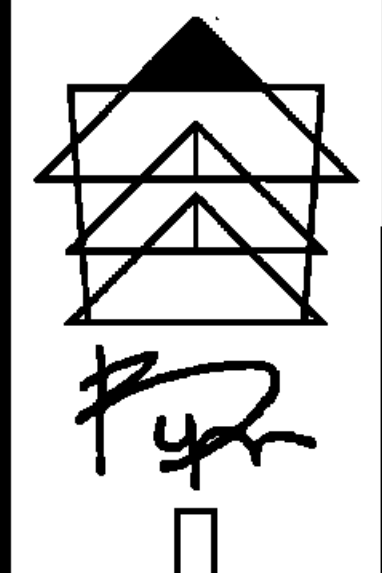
18 PRE_K_AND_K_CLASSROOM_TYP. 1/4" = 1'-0"



10 SELF_CONTAINED_CLASSROOM_C111 1/4" = 1'-0"



2 1ST_AND_2ND_GRADE_CLASSROOMS 1/4" = 1'-0"



BYRON J. STEWART & ASSOC.
ARCHITECTS & PLANNERS, APC

2300 MARENGO STREET
NEW ORLEANS, LOUISIANA, 70115
(504) 527-5337 (504) 527-5342 FAX



CARTER G. WOODSON SCHOOL
RECOVERY SCHOOL DISTRICT
2514 THIRD STREET
NEW ORLEANS, LOUISIANA

FOR CONSTRUCTION

JOB NUMBER: 8-18-128

DATE: 4/20/16

DRAWN BY: M/M/TAY

CHECKED BY: L/R/PB

REVISIONS

NO.	DATE	REVISION

SHEET TITLE:

INTERIOR ELEVATIONS

SHEET:

A8.5