

BYRON J. STEWART & ASSOC.
ARCHITECTS & PLANNERS, APC

2300 MARENGO STREET
NEW ORLEANS, LOUISIANA 70116
(504) 527-5339 (504) 527-5342 FAX

PRK
Architecture
Engineering
Planning
Facility Consulting

CARTER G. WOODSON SCHOOL
RECOVERY SCHOOL DISTRICT
2614 THIRD STREET
NEW ORLEANS, LOUISIANA

FOR CONSTRUCTION

JOB NUMBER: BJB 128

DATE: 4/28/10

DRAWN BY: M.J.H.

CHECKED BY: L.R.P.B.

REVISIONS

NO. DATE REVISION

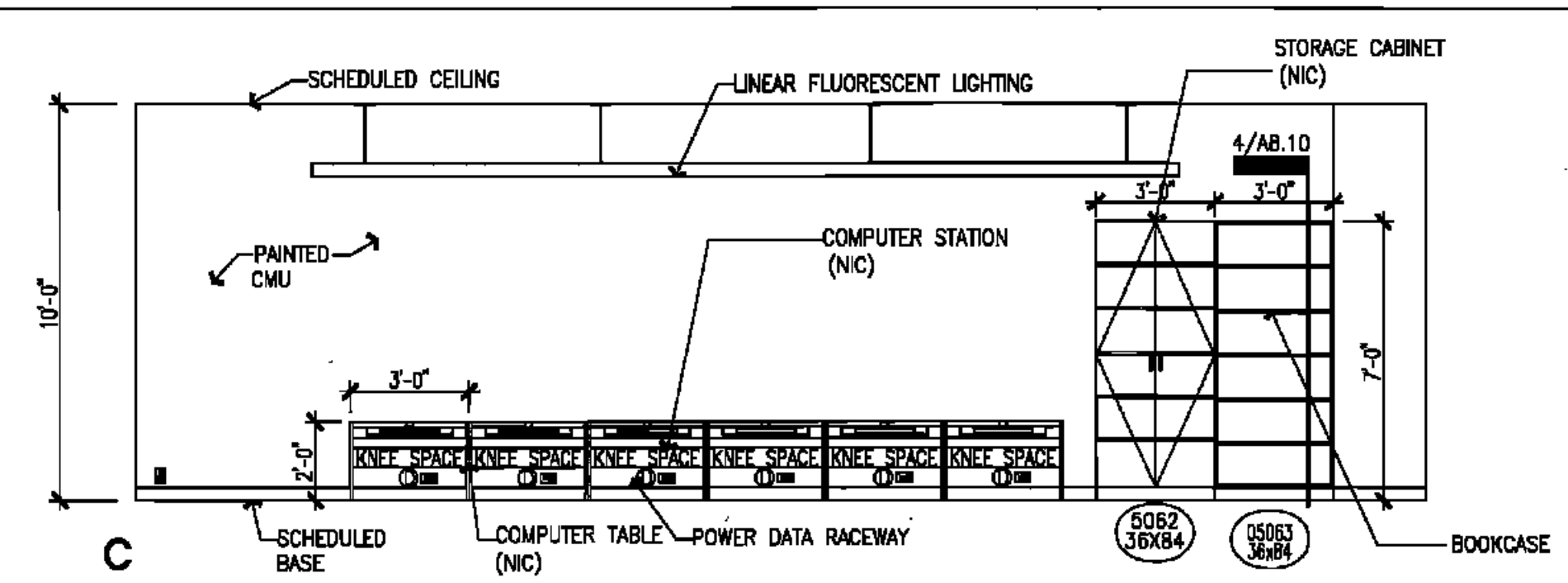
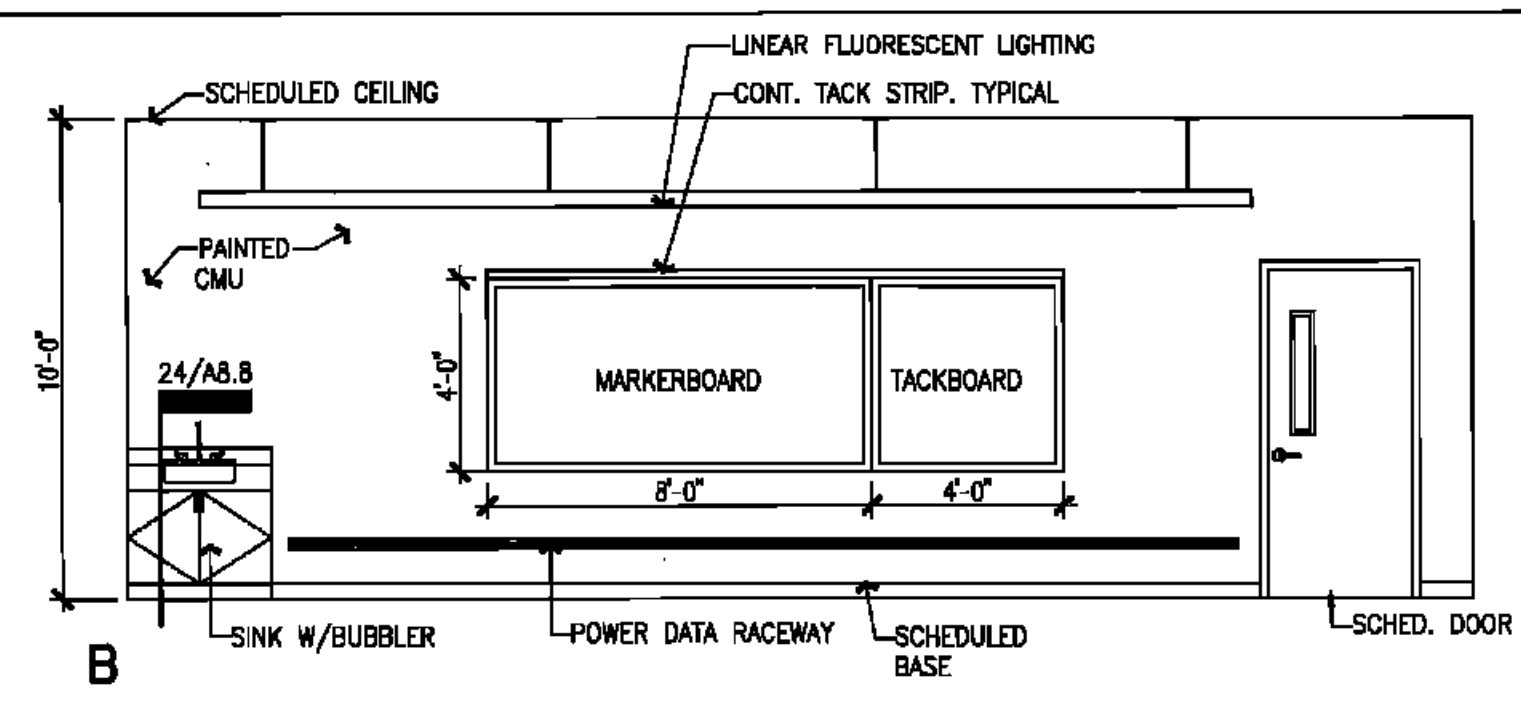
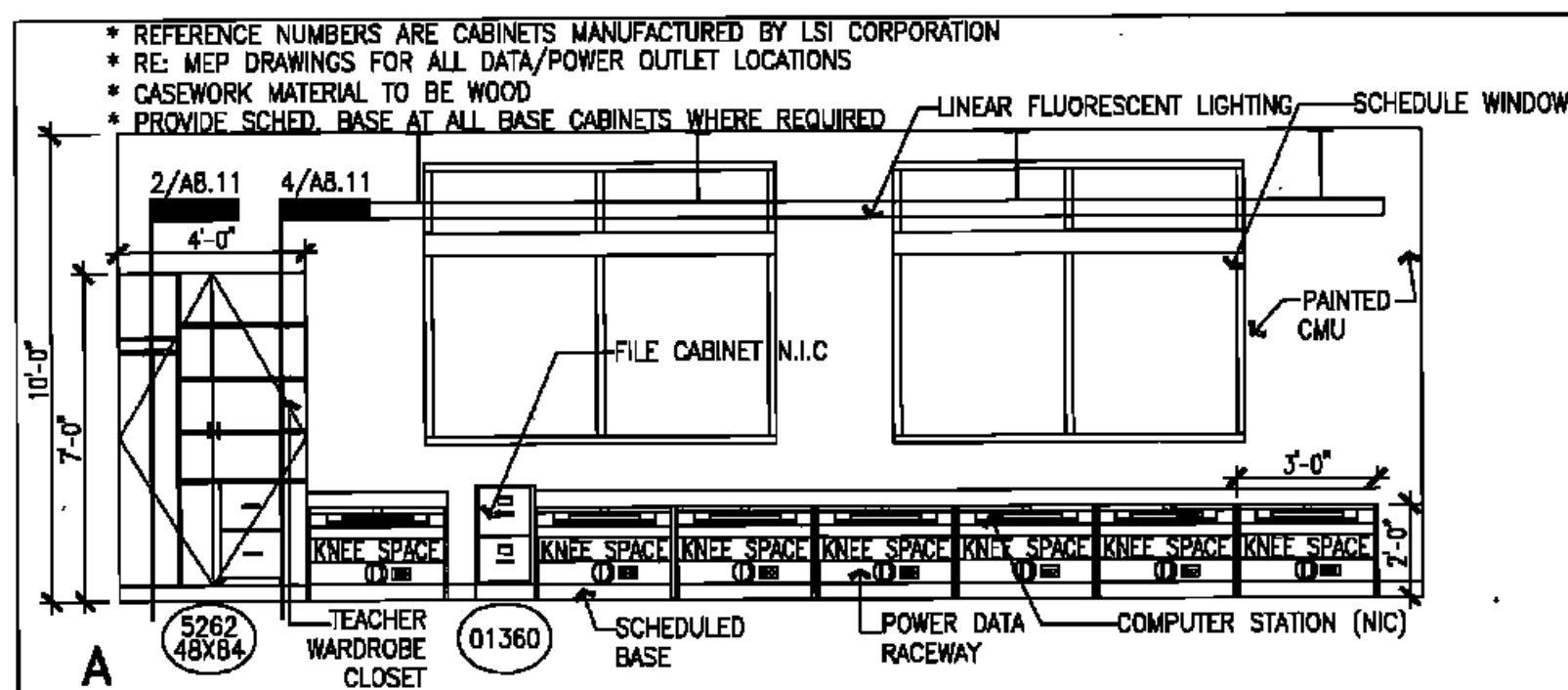
SHEET TITLE

INTERIOR ELEVATIONS

SHEET

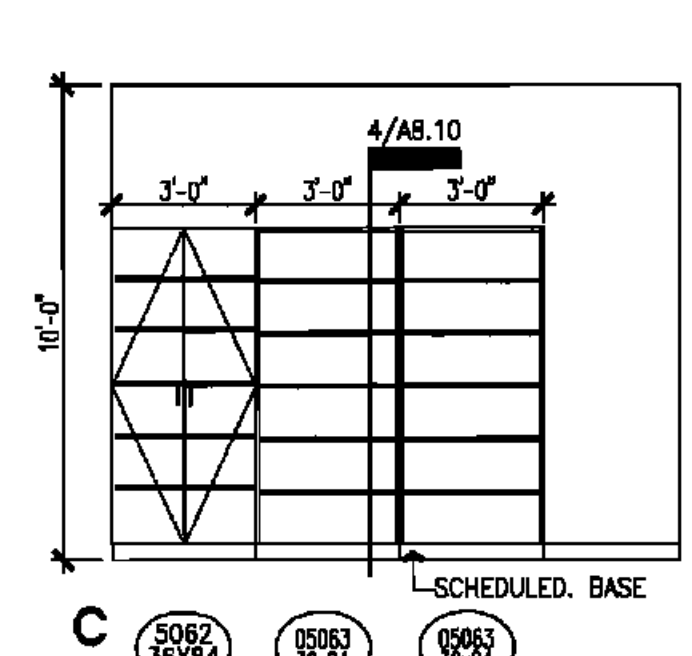
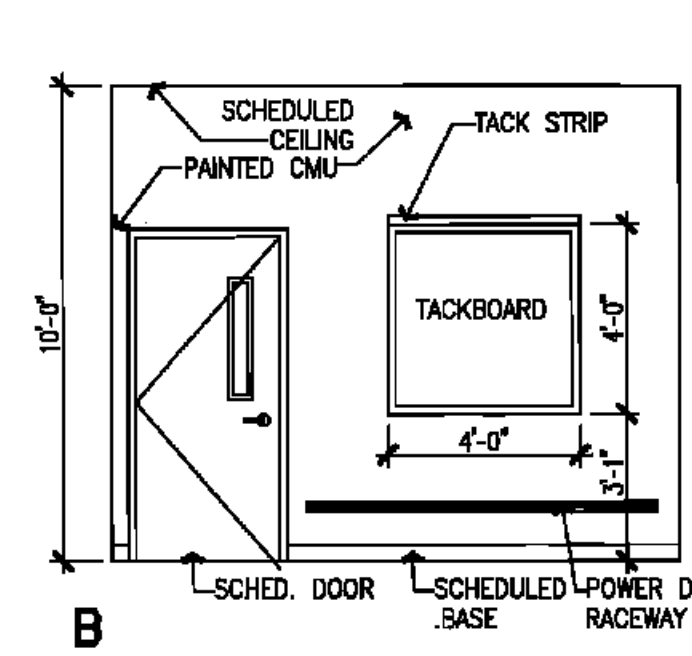
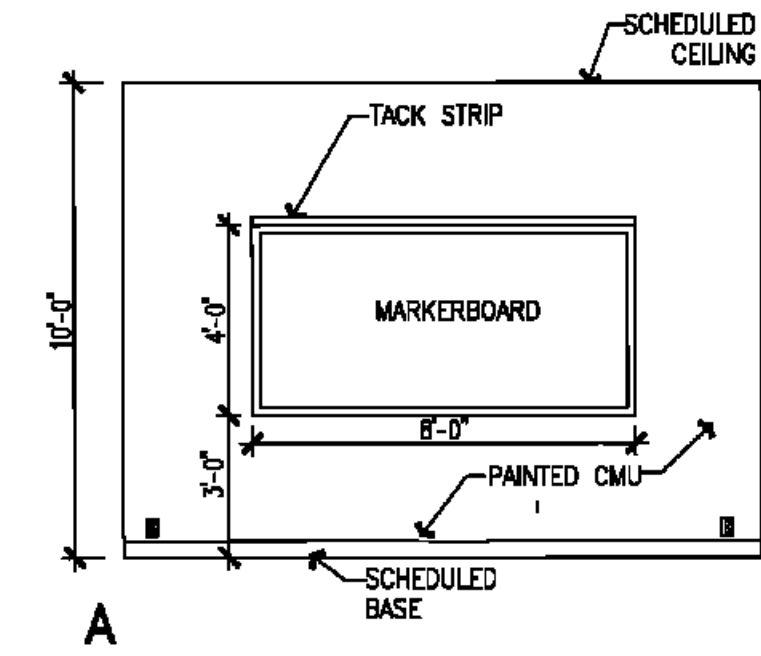
A8.4

93 OF 225 SHEETS

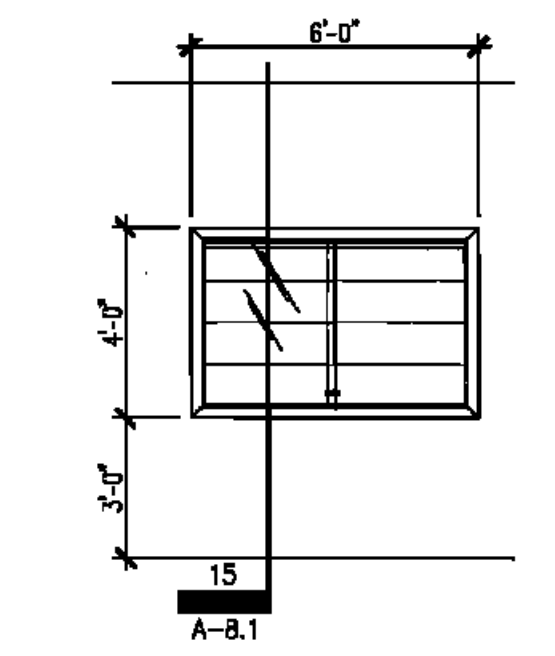
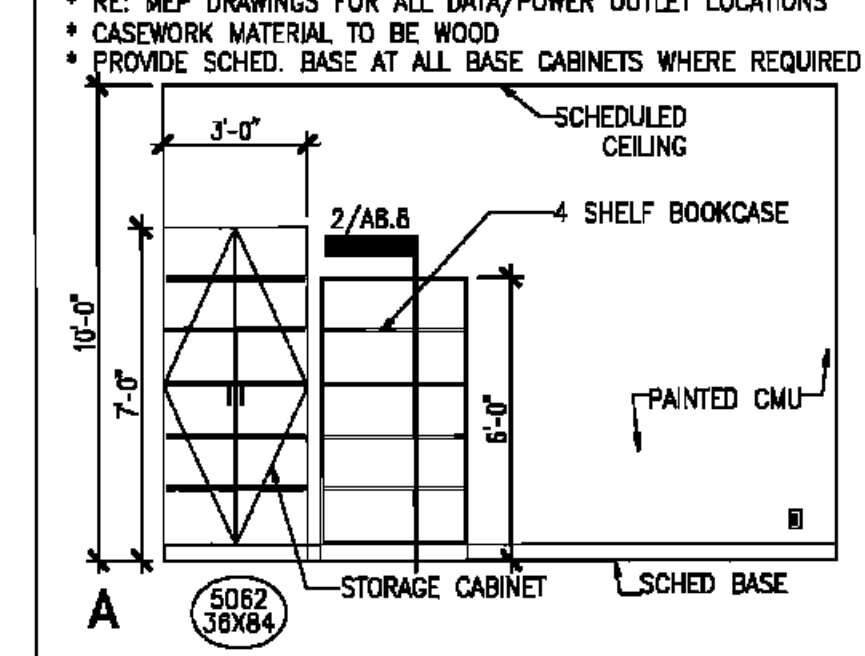


20 1ST AND 2ND GRADE CLASSROOMS

1/4" = 1'-0"



- * REFERENCE NUMBERS ARE CABINETS MANUFACTURED BY LSI CORPORATION
- * RE: MEP DRAWINGS FOR ALL DATA/POWER OUTLET LOCATIONS
- * CASEWORK MATERIAL TO BE WOOD
- * PROVIDE SCHED. BASE AT ALL BASE CABINETS WHERE REQUIRED



17 SPEECH ROOM C102 AND C207

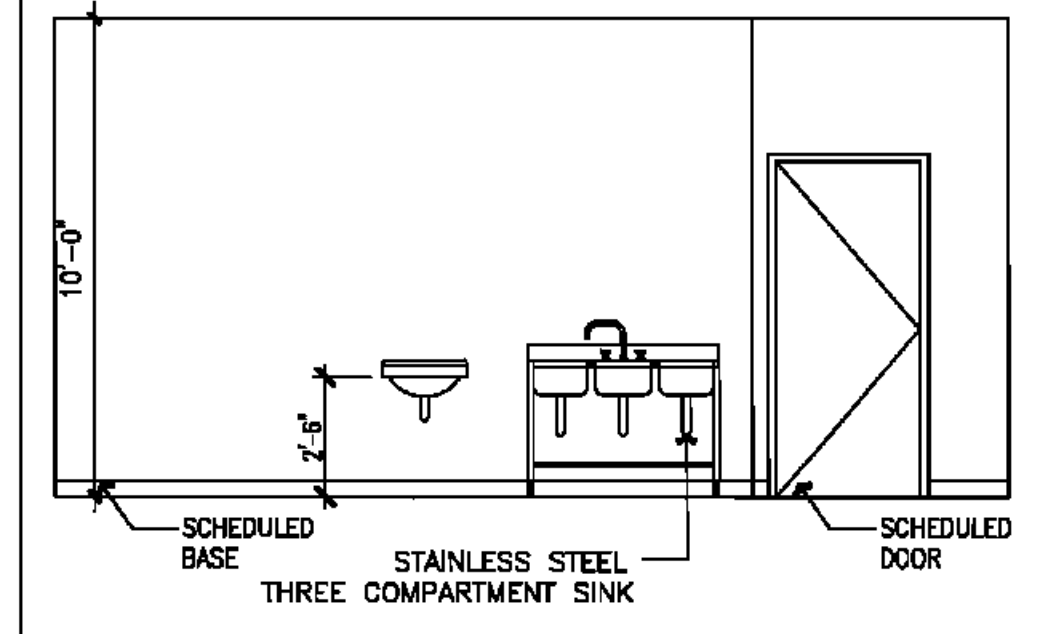
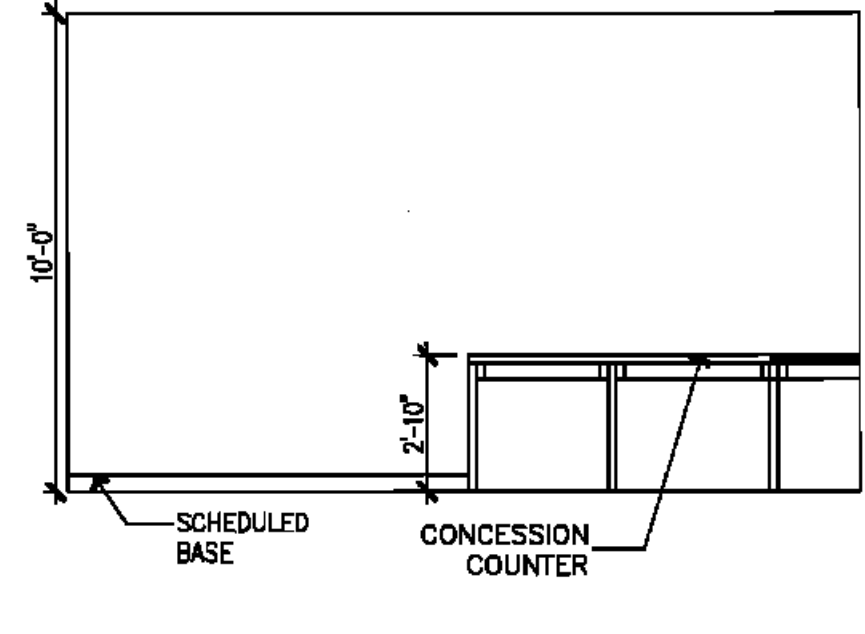
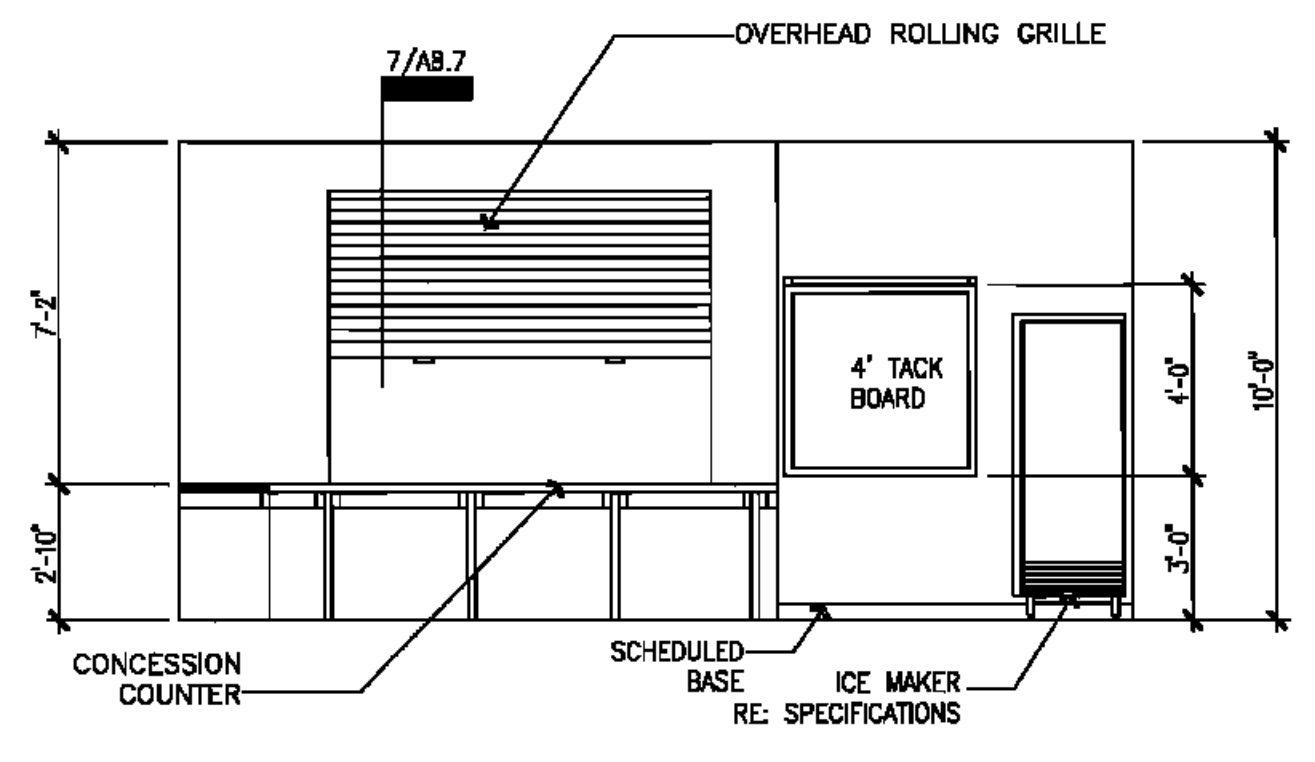
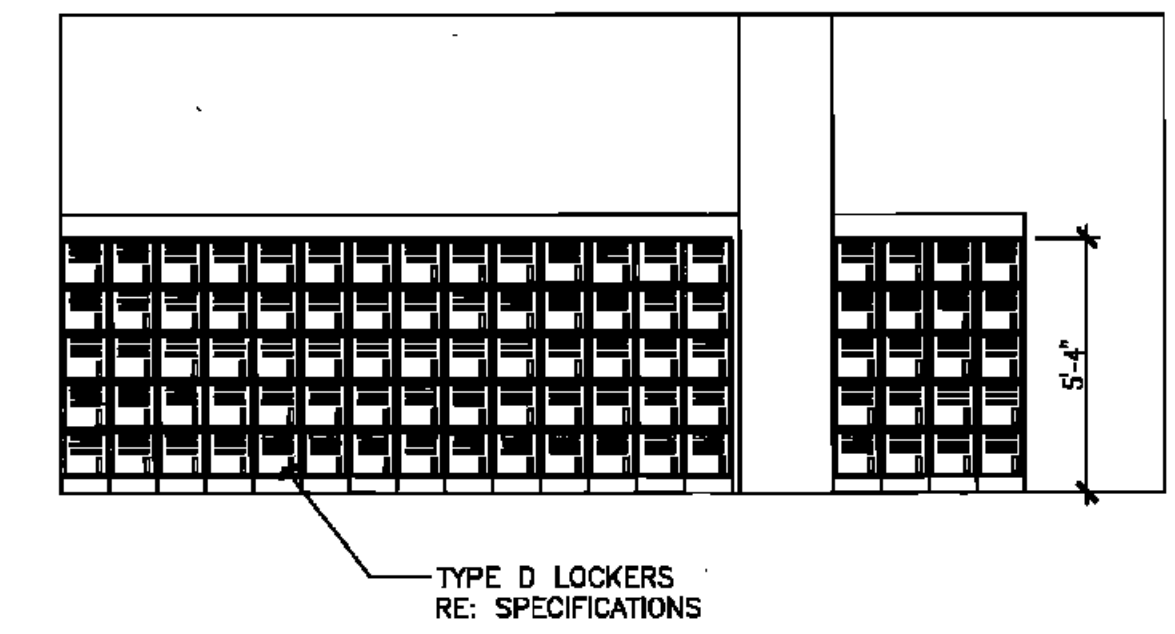
1/4" = 1'-0"

14 IEP CONFERENCE

1/4" = 1'-0"

13 COMMONS B100

1/4" = 1'-0"



11 GIRLS LOCKER A206

1/4" = 1'-0"

10 CONCESSIONS A-201

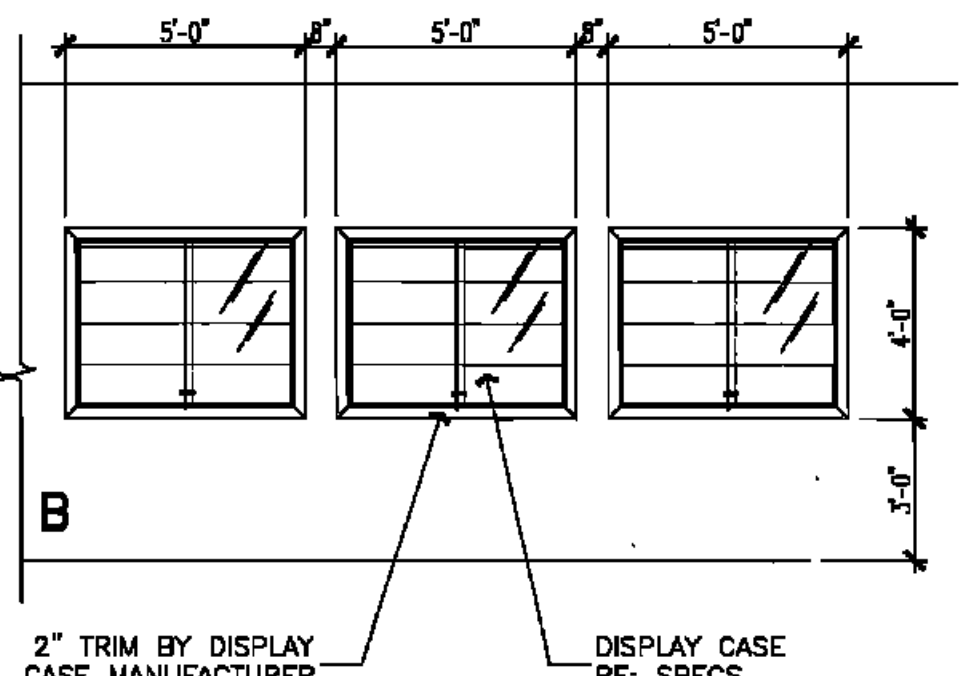
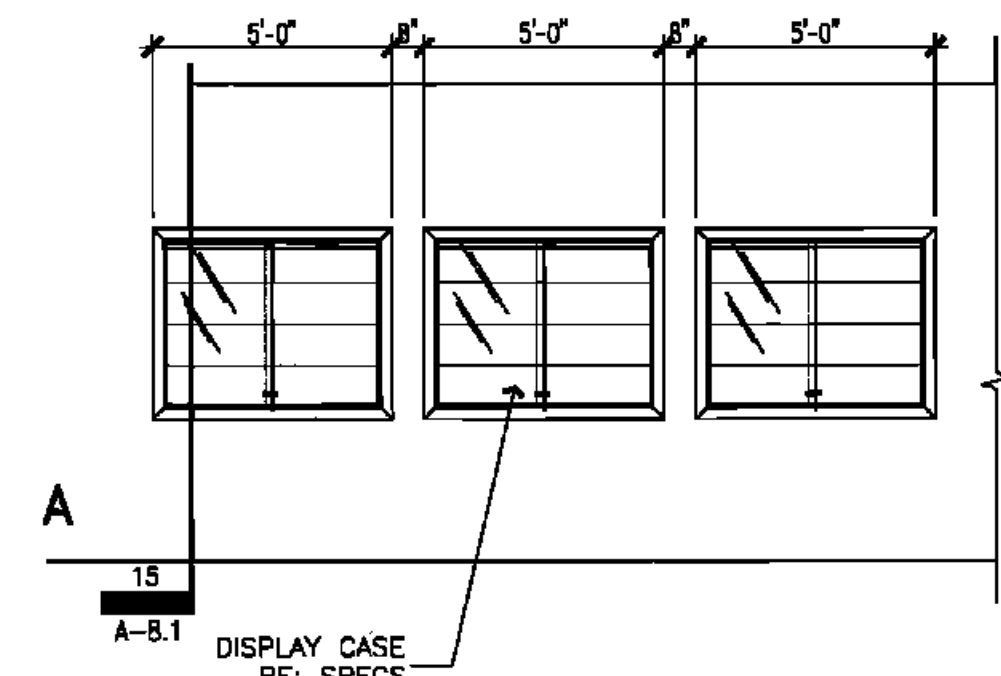
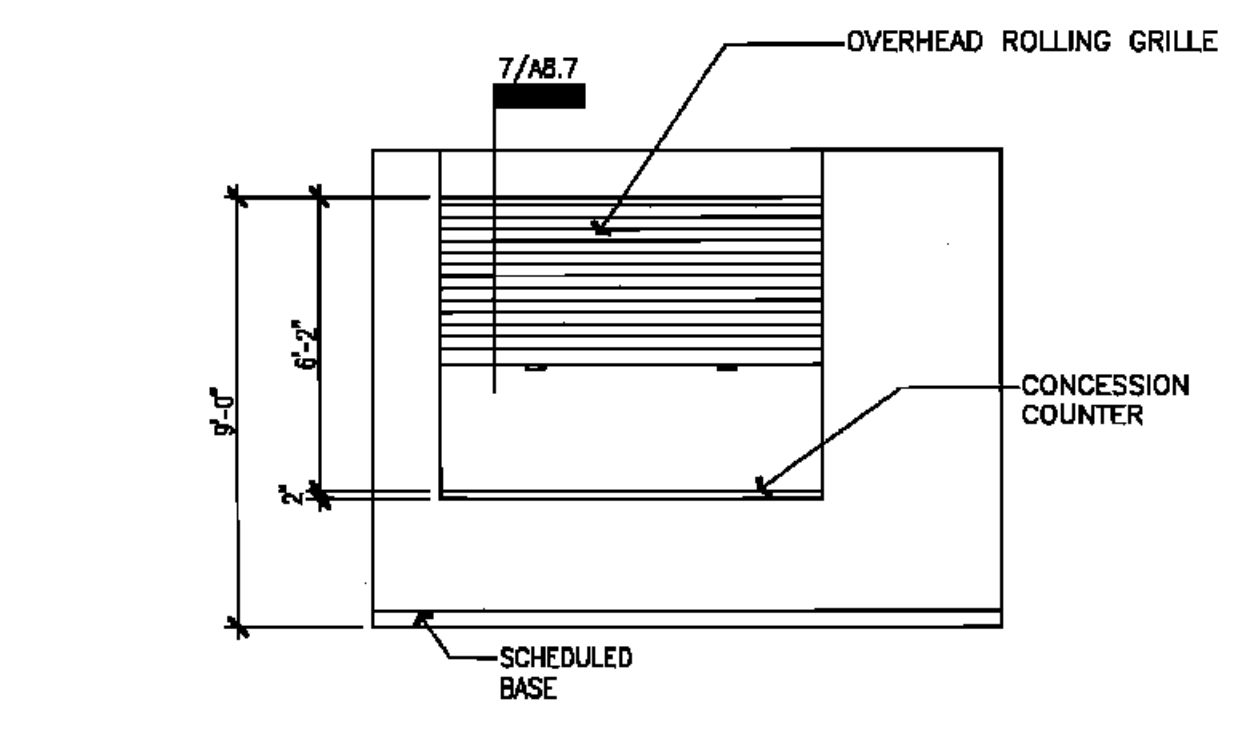
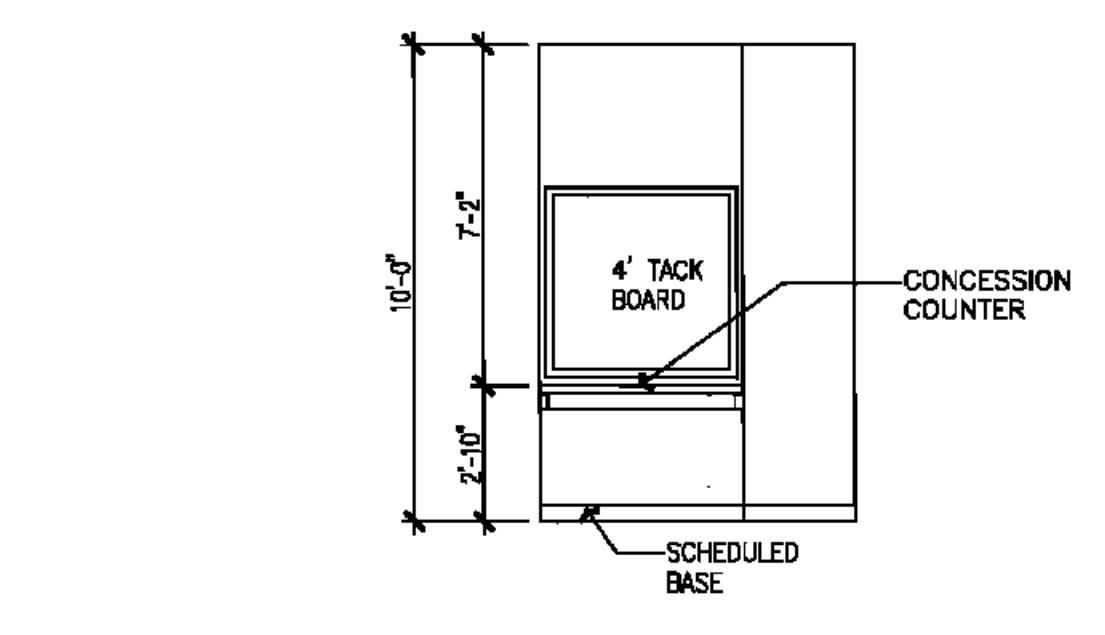
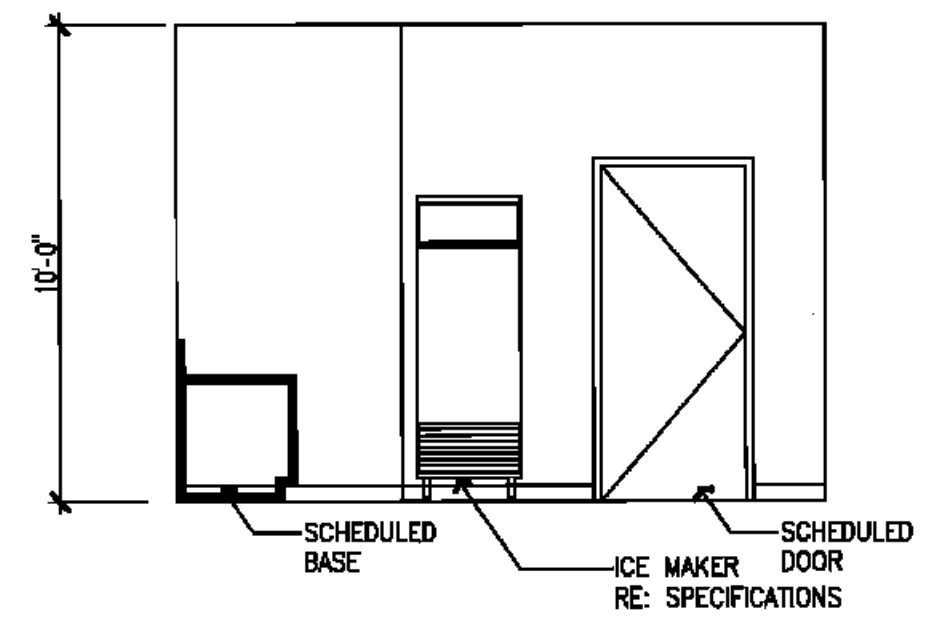
1/4" = 1'-0"

8 CONCESSIONS A201

1/4" = 1'-0"

7 CONCESSIONS A201

1/4" = 1'-0"



6 CONCESSIONS

1/4" = 1'-0"

5 CONCESSIONS A200

1/4" = 1'-0"

3 CONCESSIONS A200

1/4" = 1'-0"

2 CORRIDOR A200

1/4" = 1'-0"