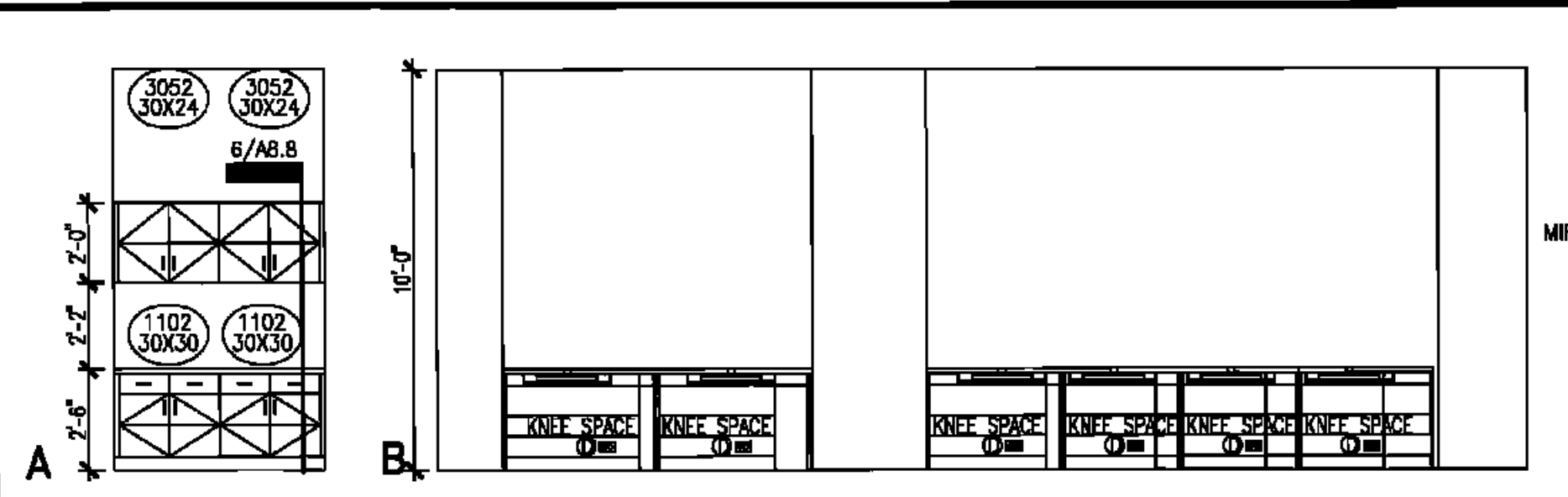
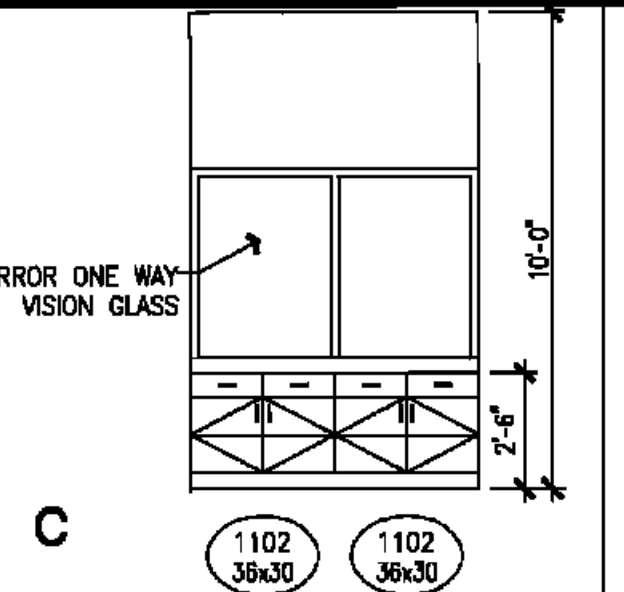


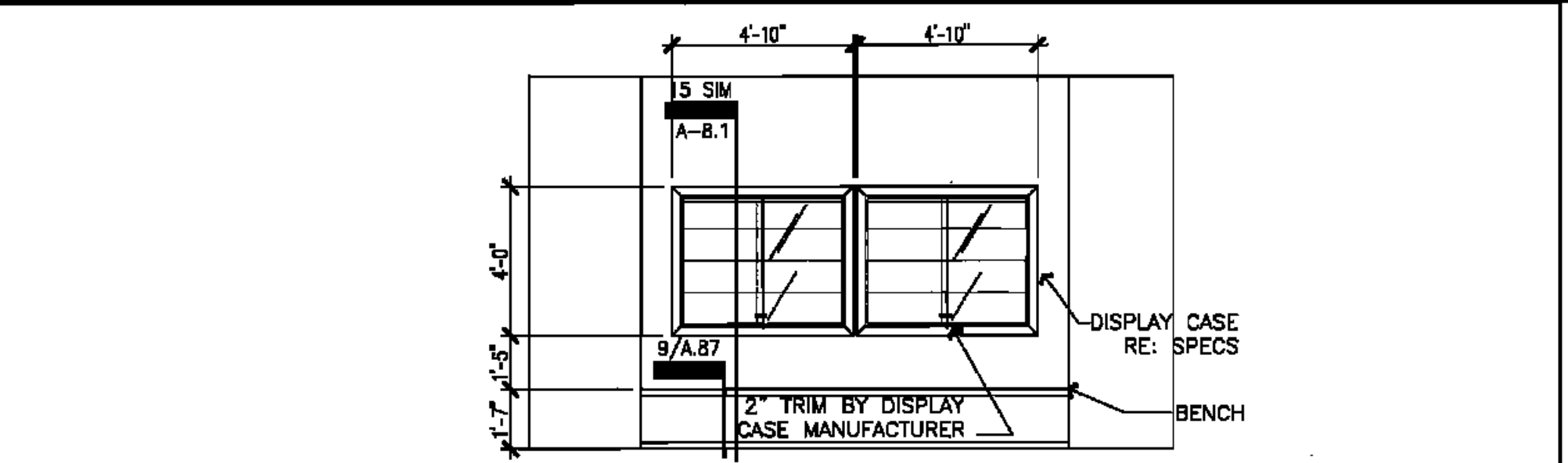
30 SEMI PRIVATE PLAY AREA B125 1/4" = 1'-0"



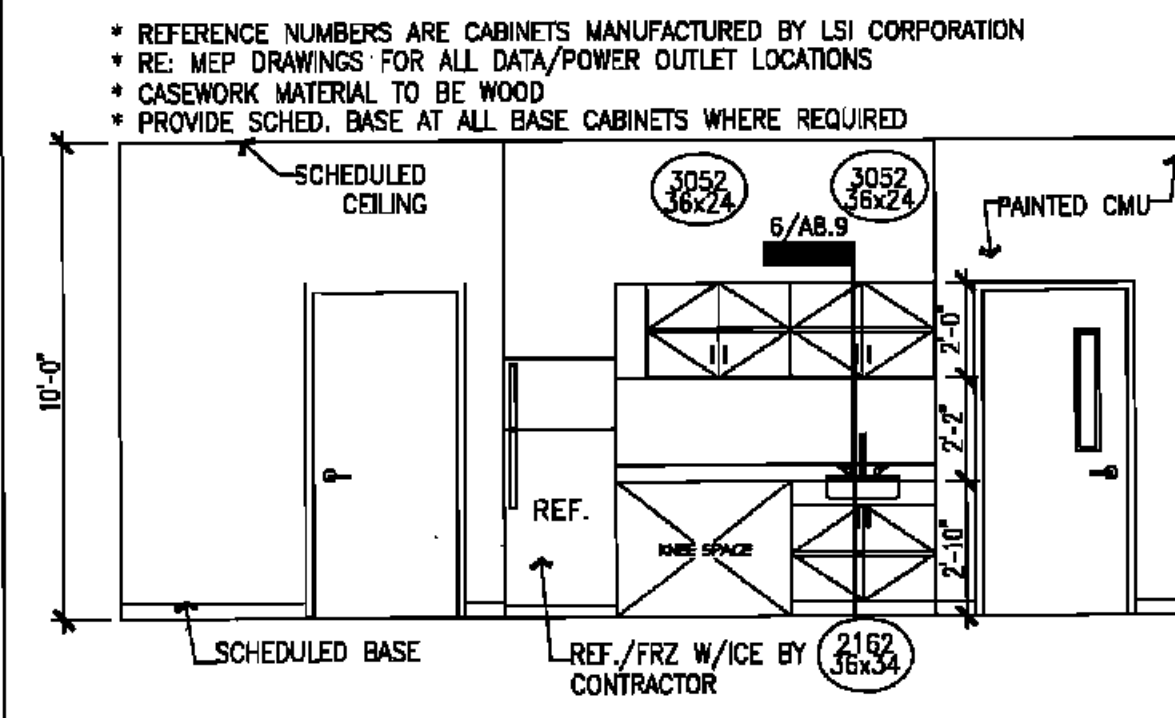
29 SEMI PRIVATE PLAY AREA B125 1/4" = 1'-0"



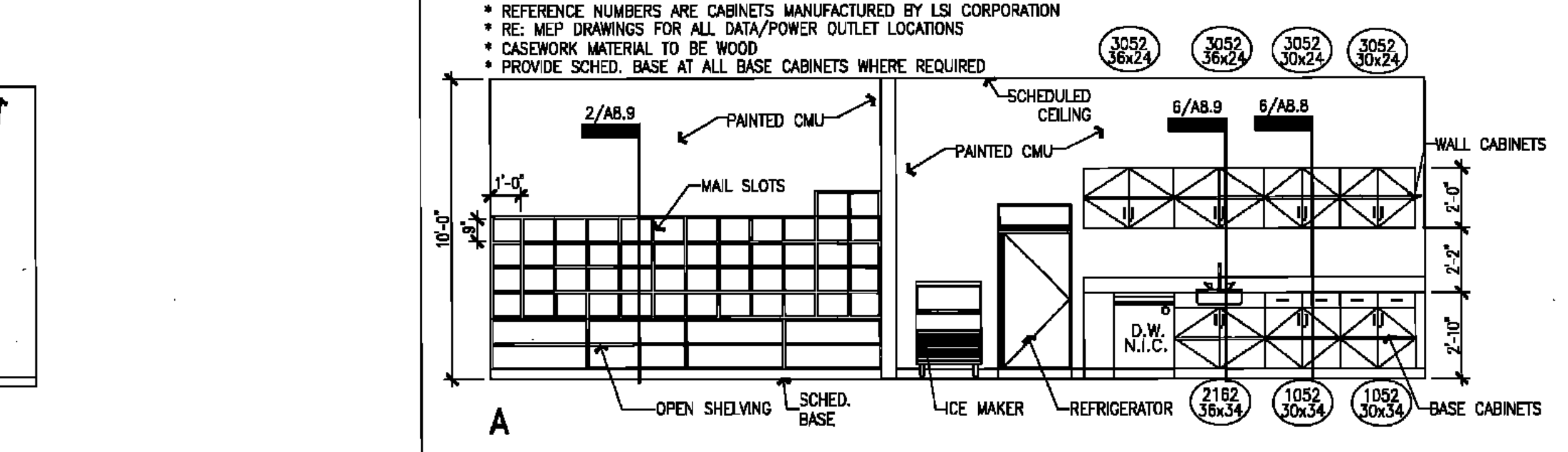
26 CORRIDOR 1/4" = 1'-0"



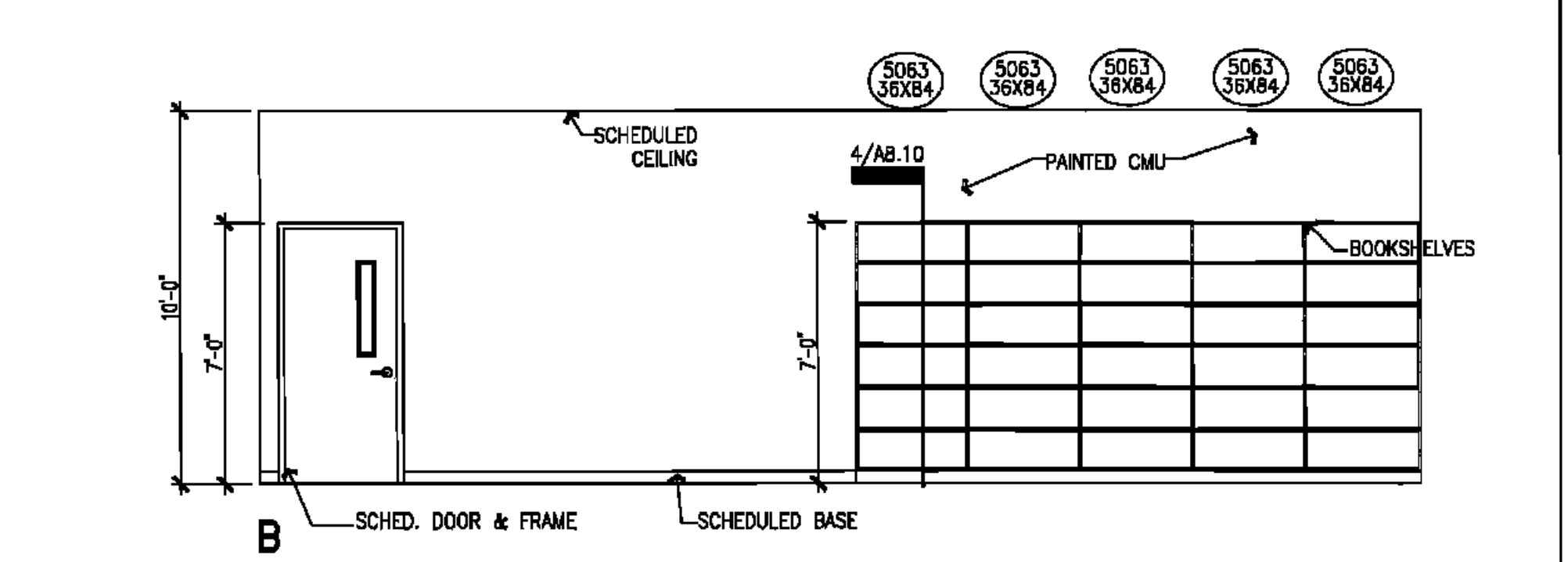
26 CORRIDOR 1/4" = 1'-0"



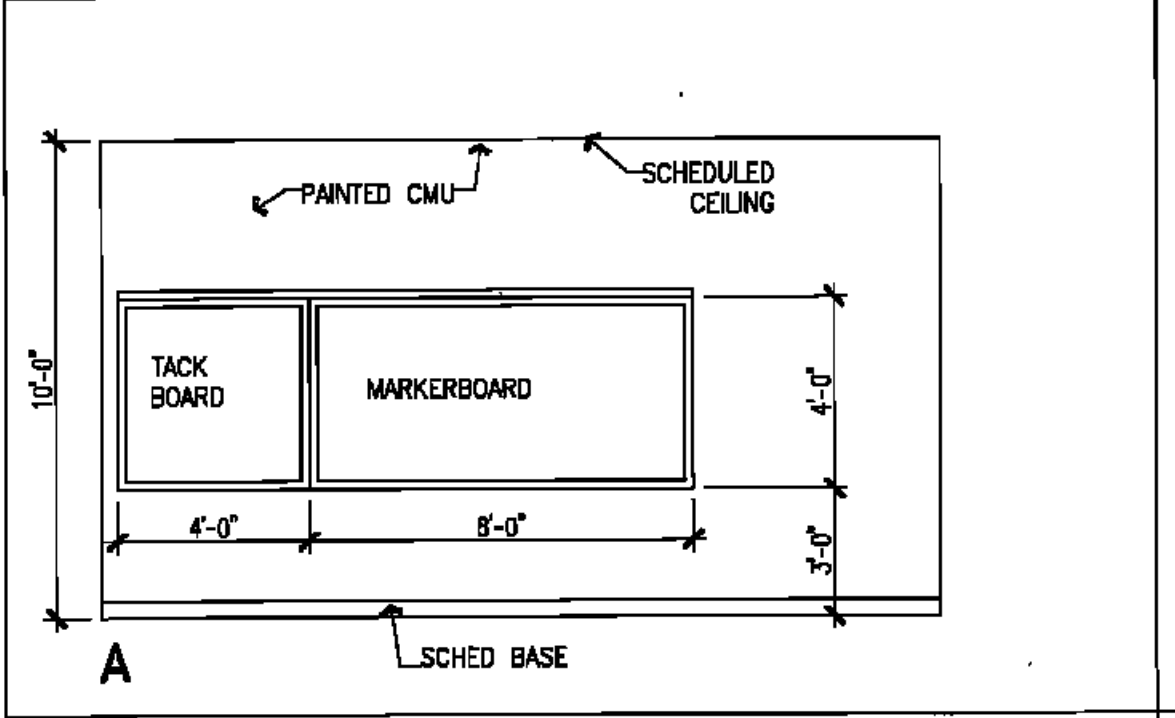
24 HEALTH CLINIC B120 1/4" = 1'-0"



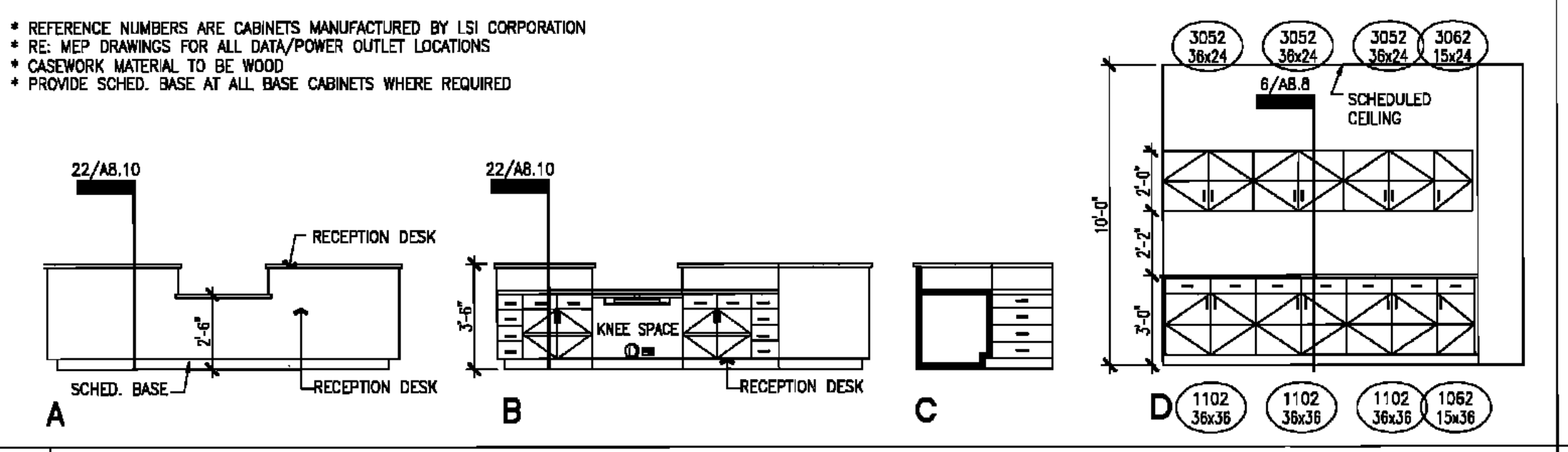
22 TEACHER LOUNGE/WORKROOM B126 1/4" = 1'-0"



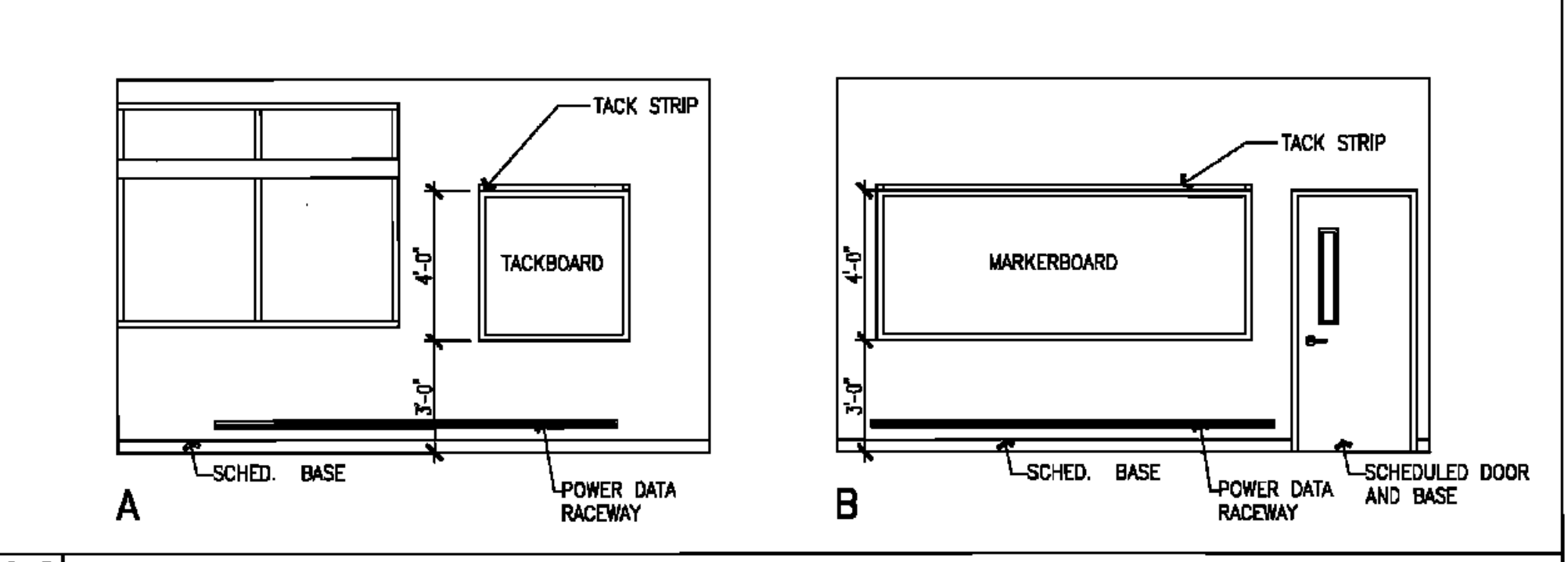
24 HEALTH CLINIC B120 1/4" = 1'-0"



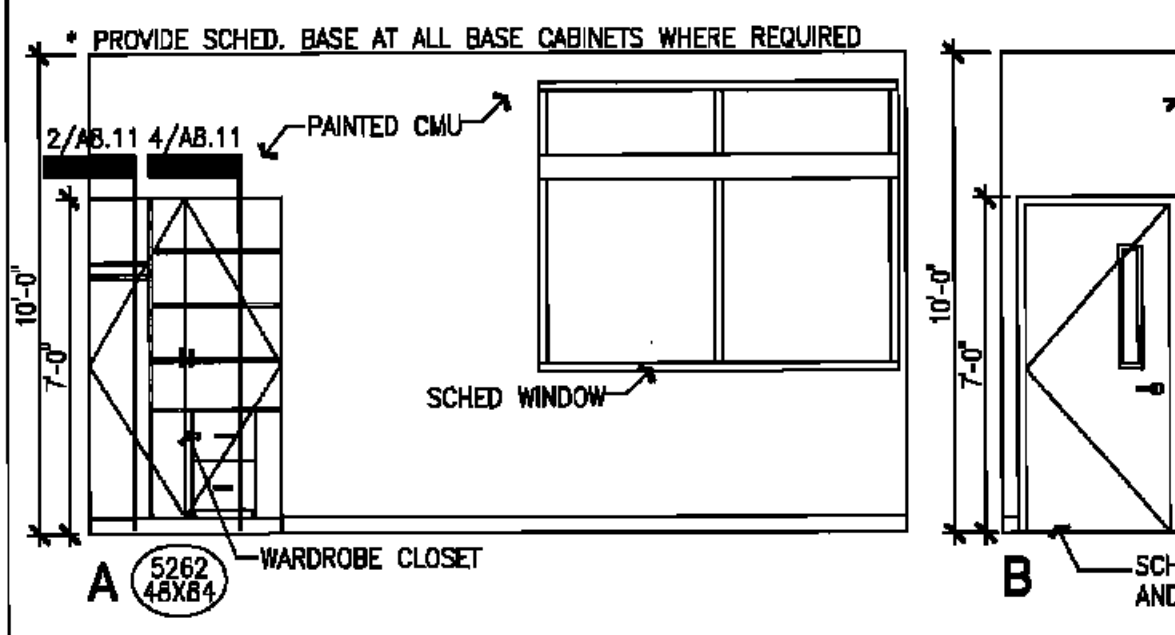
18 IEP CONFERENCE B127 1/4" = 1'-0"



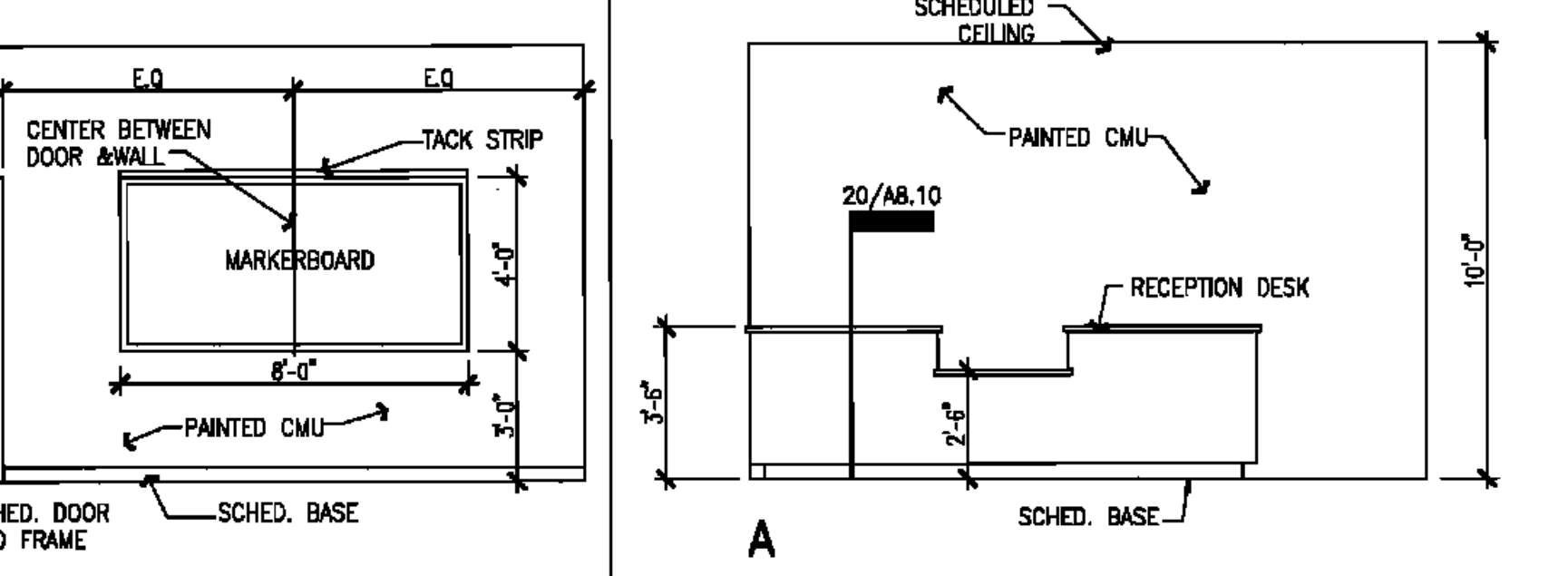
16 GUIDANCE RECEPTION B119 1/4" = 1'-0"



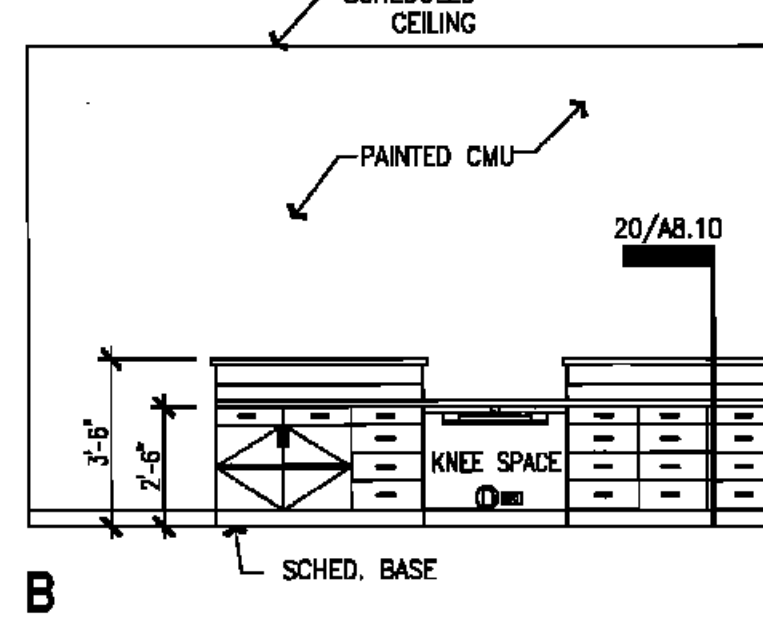
14 SMALL CONFERENCE ROOM B108 1/4" = 1'-0"



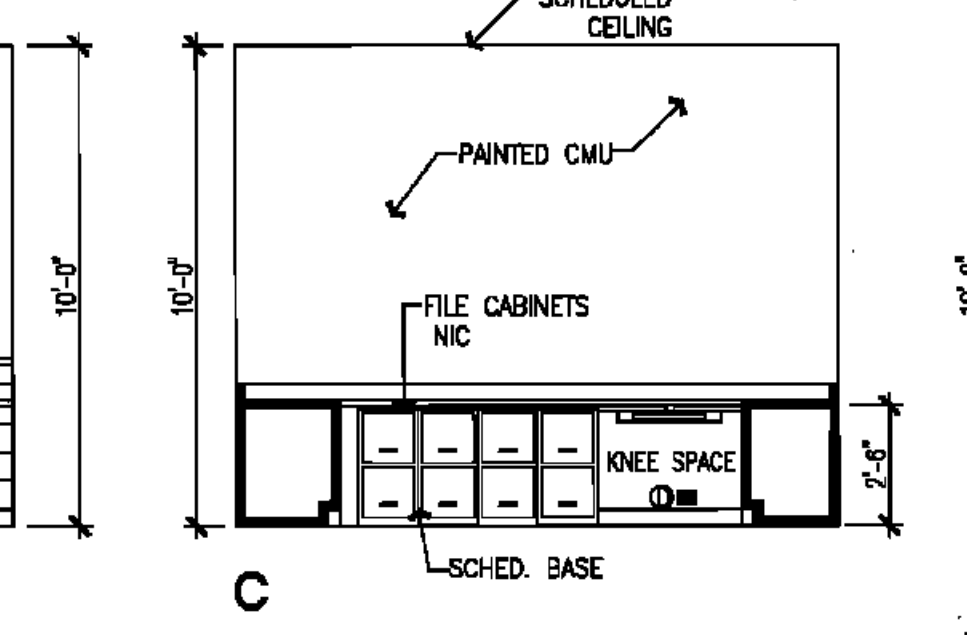
18 IEP CONFERENCE B127 1/4" = 1'-0"



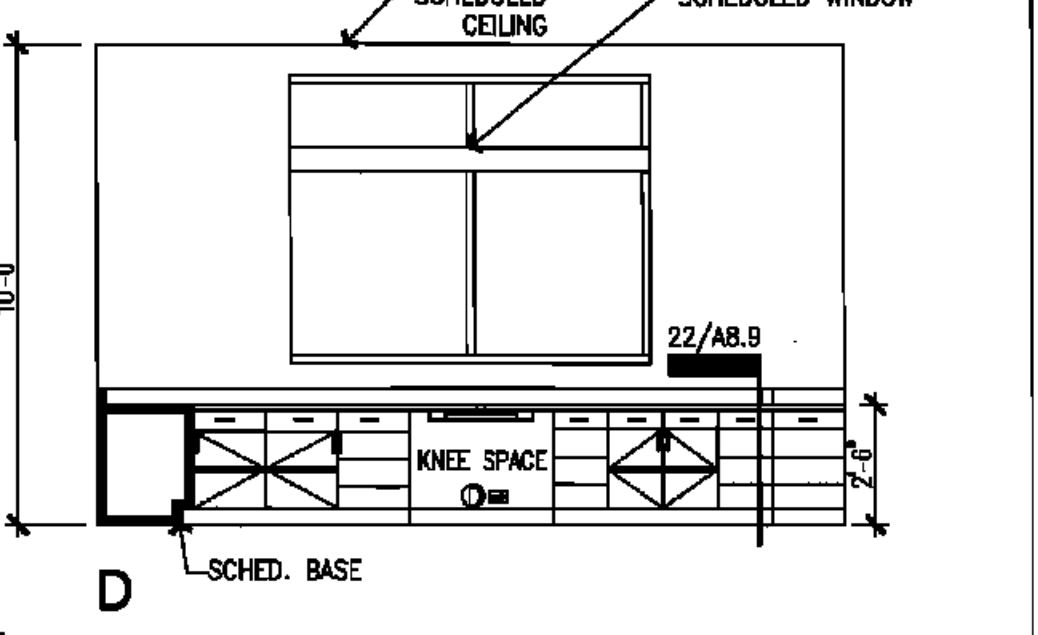
16 GUIDANCE RECEPTION B119 1/4" = 1'-0"



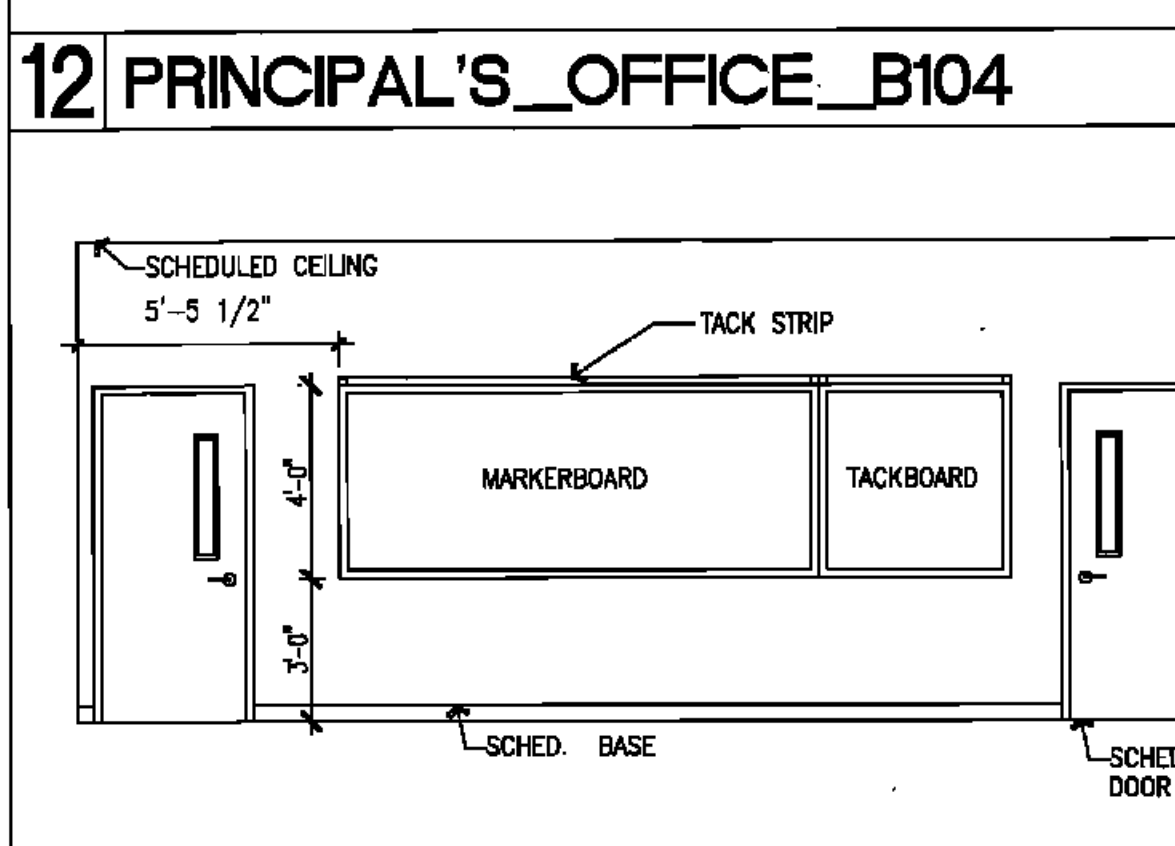
14 SMALL CONFERENCE ROOM B108 1/4" = 1'-0"



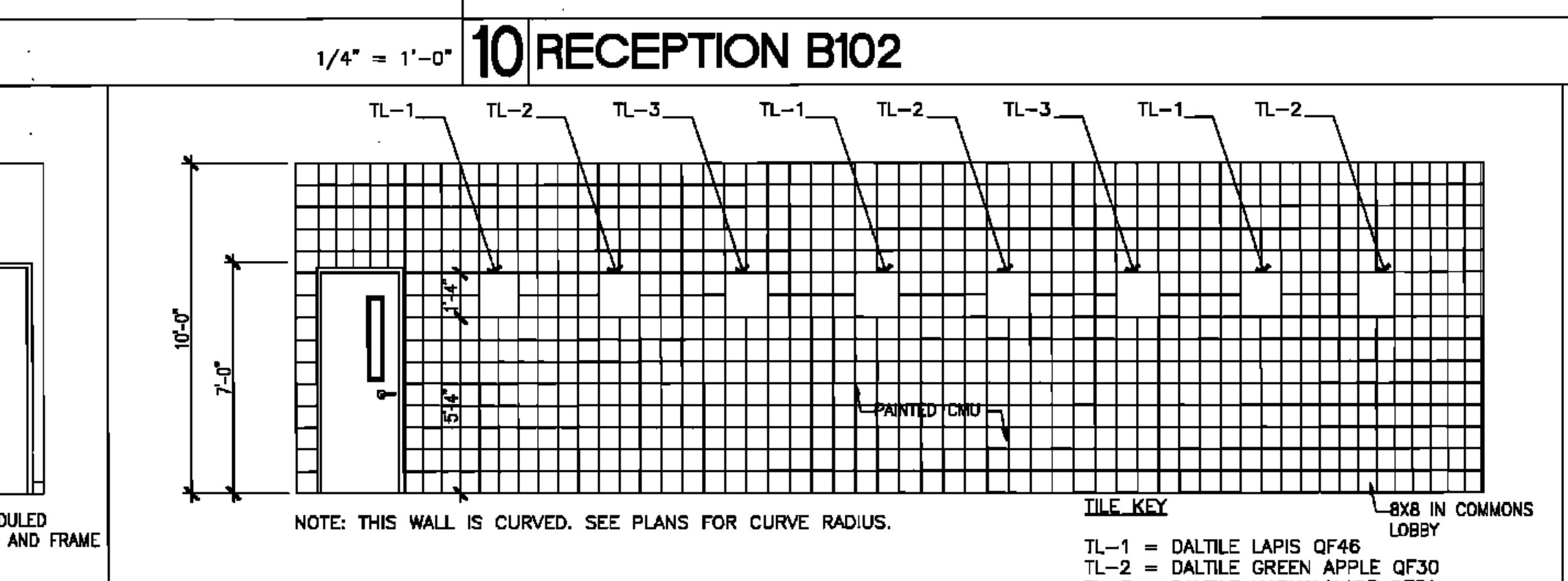
14 SMALL CONFERENCE ROOM B108 1/4" = 1'-0"



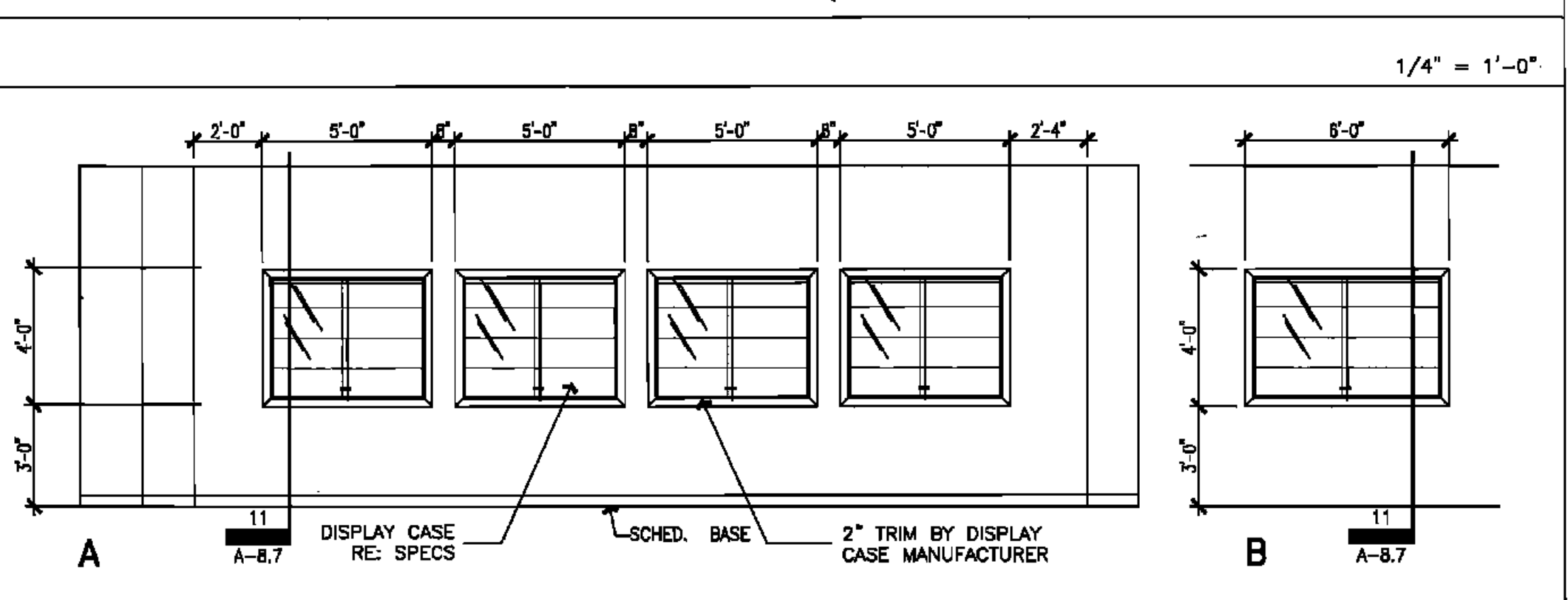
14 SMALL CONFERENCE ROOM B108 1/4" = 1'-0"



12 PRINCIPAL'S OFFICE B104 1/4" = 1'-0"



10 RECEPTION B102 1/4" = 1'-0"

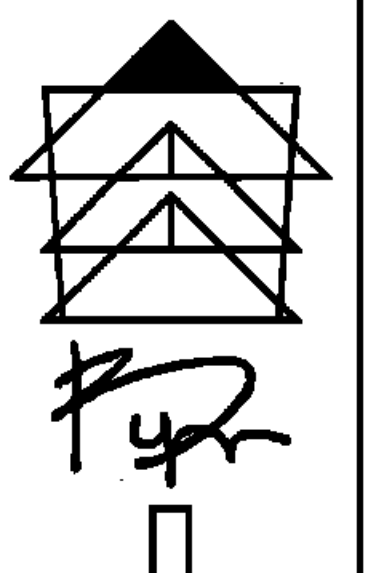


2 CORRIDOR 1/4" = 1'-0"

6 CONFERENCE ROOM B103 1/4" = 1'-0"

4 COMMONS B100 1/4" = 1'-0"

2 CORRIDOR 1/4" = 1'-0"



BYRON J. STEWART & ASSOC.
ARCHITECTS & PLANNERS, APC
2300 MARENGO STREET
NEW ORLEANS, LOUISIANA 70115
(504) 527-5337 (504) 527-5342 FAX



**CARTER G. WOODSON SCHOOL
RECOVERY SCHOOL DISTRICT**
2514 THIRD STREET
NEW ORLEANS, LOUISIANA

FOR CONSTRUCTION

JOB NUMBER: **BJB 128**
DATE: **4/28/10**
DRAWN BY: **MLH/JAY**
CHECKED BY: **LMP**

| REVISIONS | | |
|-----------|------|----------|
| NO. | DATE | REVISION |
| | | |
| | | |
| | | |

SHEET TITLE:

INTERIOR ELEVATIONS

SHEET:

A8.3