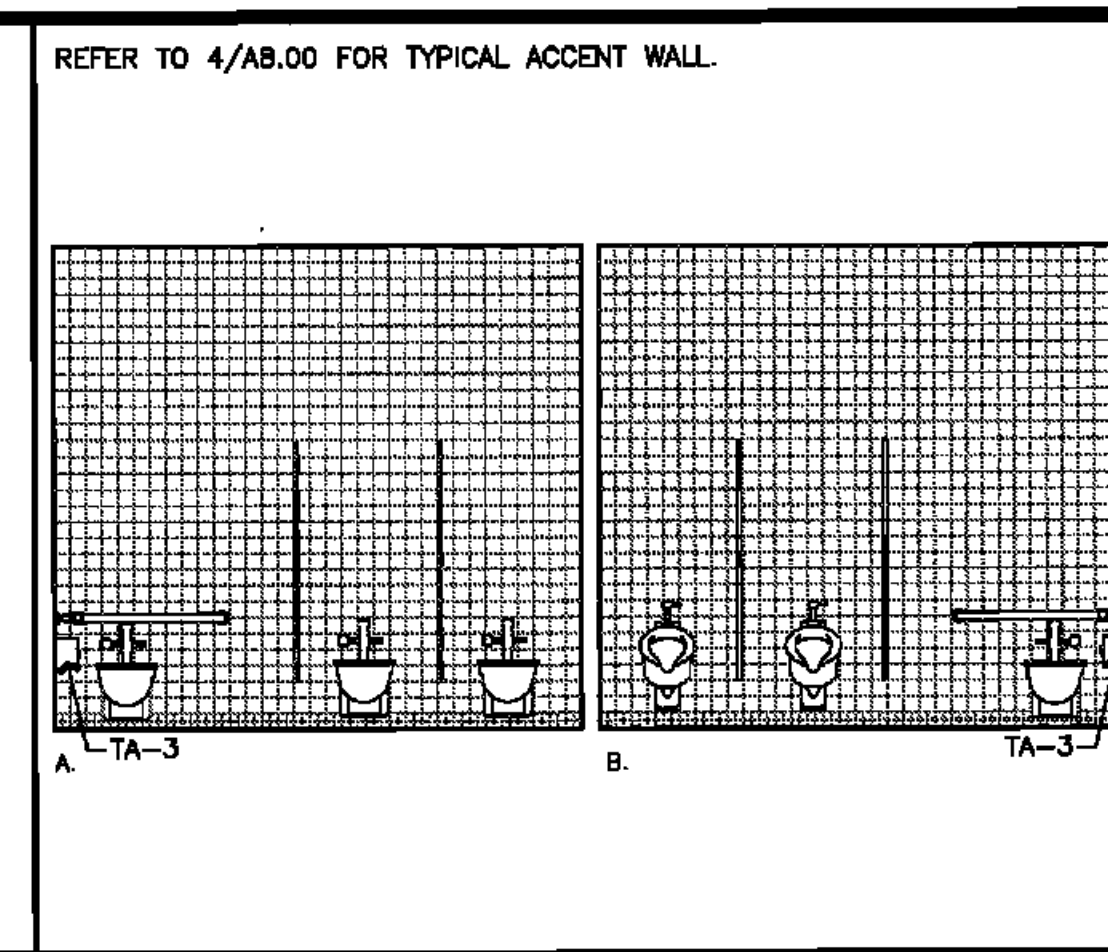
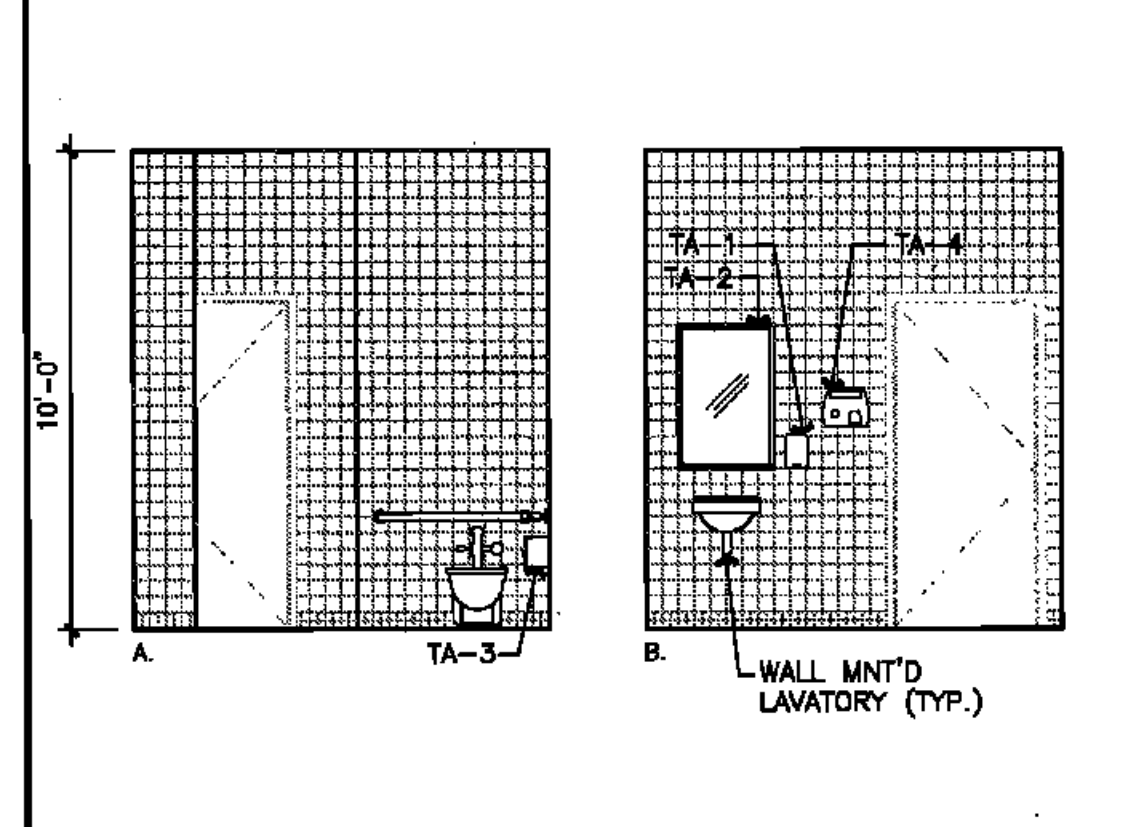


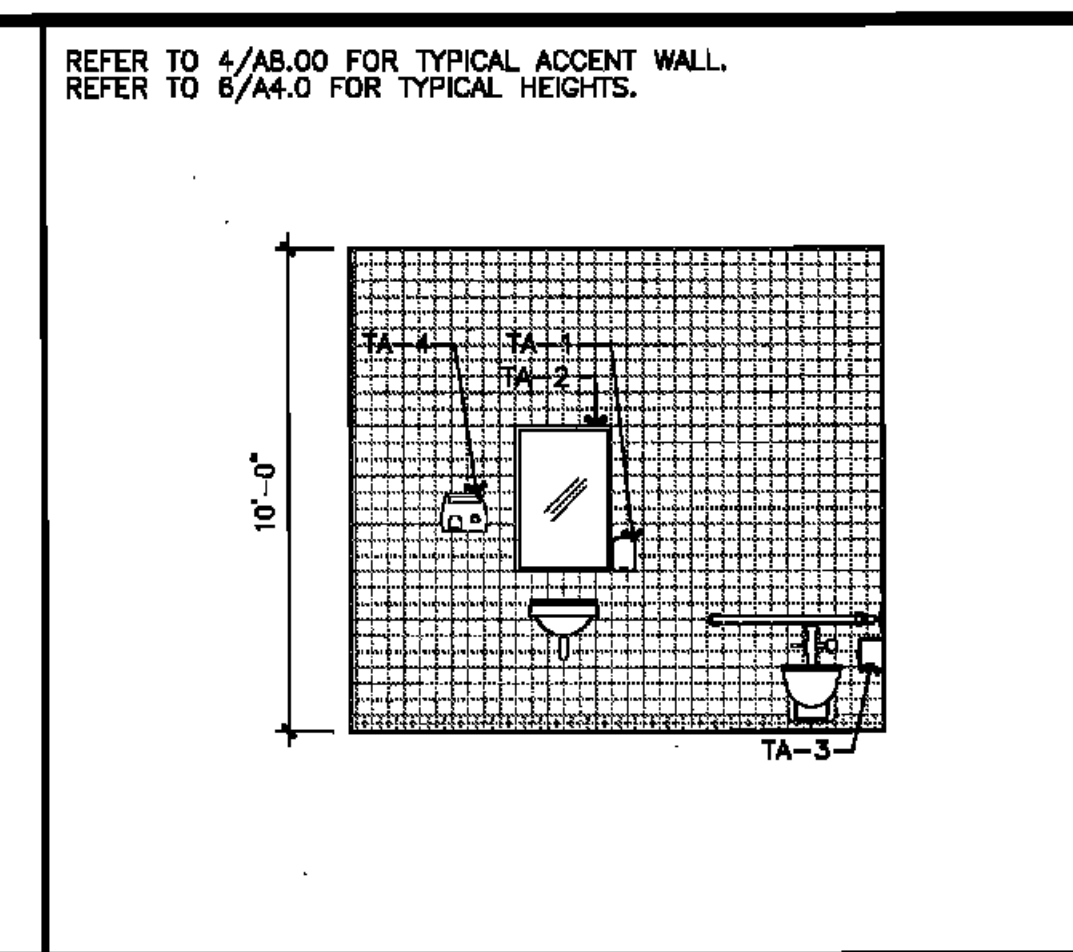
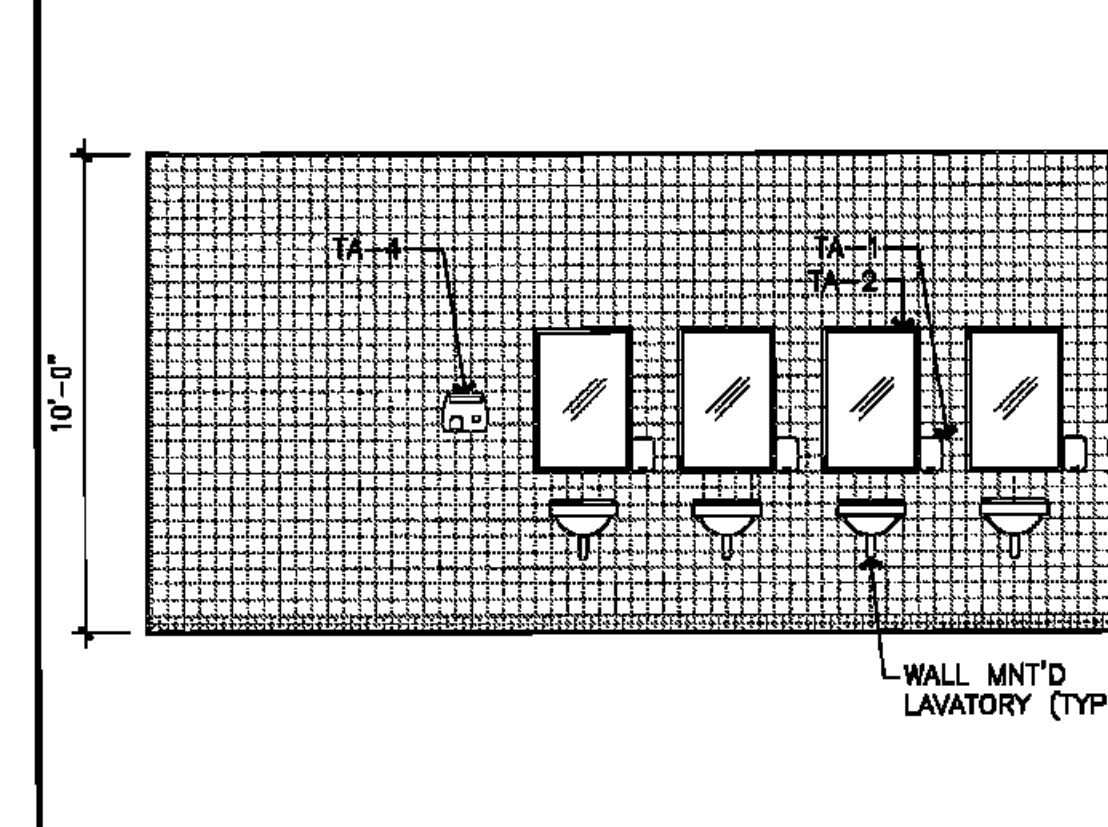
16 RR-12,13,18,19,21,22

REFER TO 4/A8.00 FOR TYPICAL ACCENT WALL ONLY ON 10B & 11B.
REFER TO 18/A4.0 FOR TYPICAL HEIGHTS.



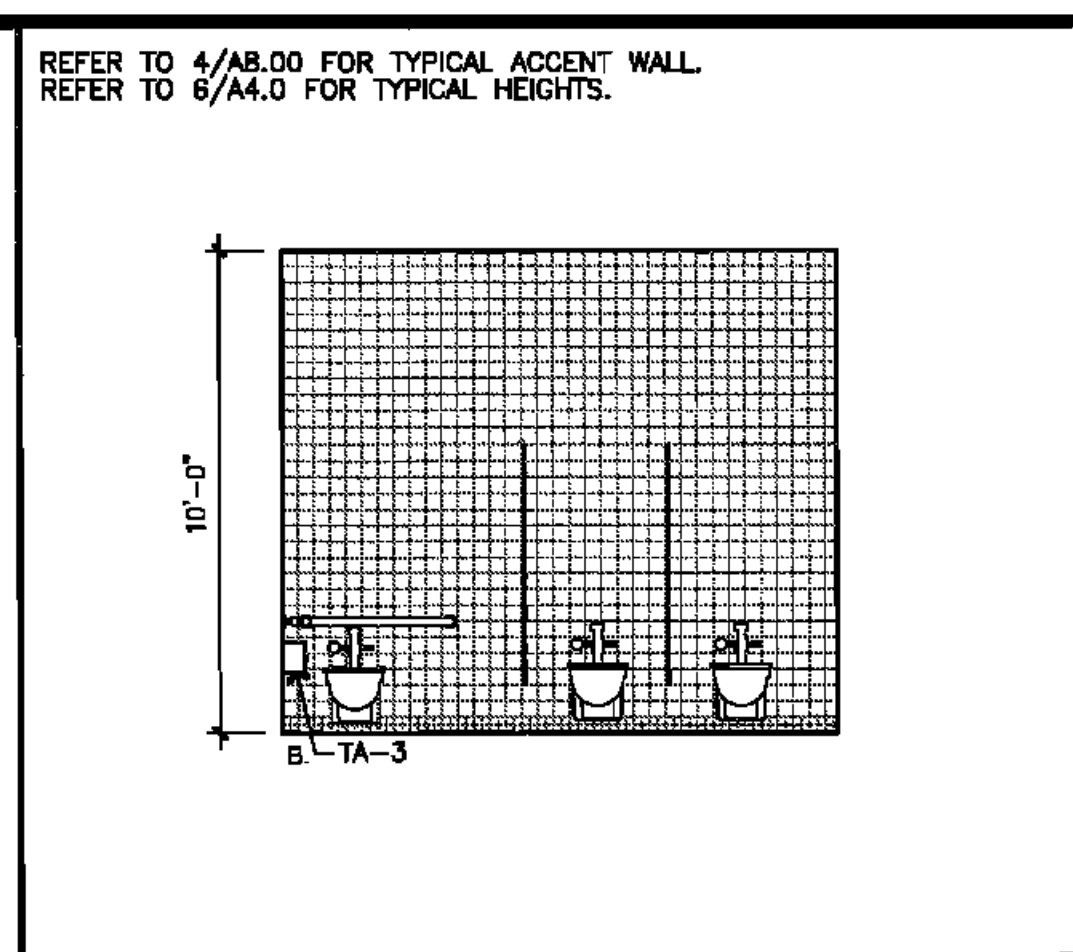
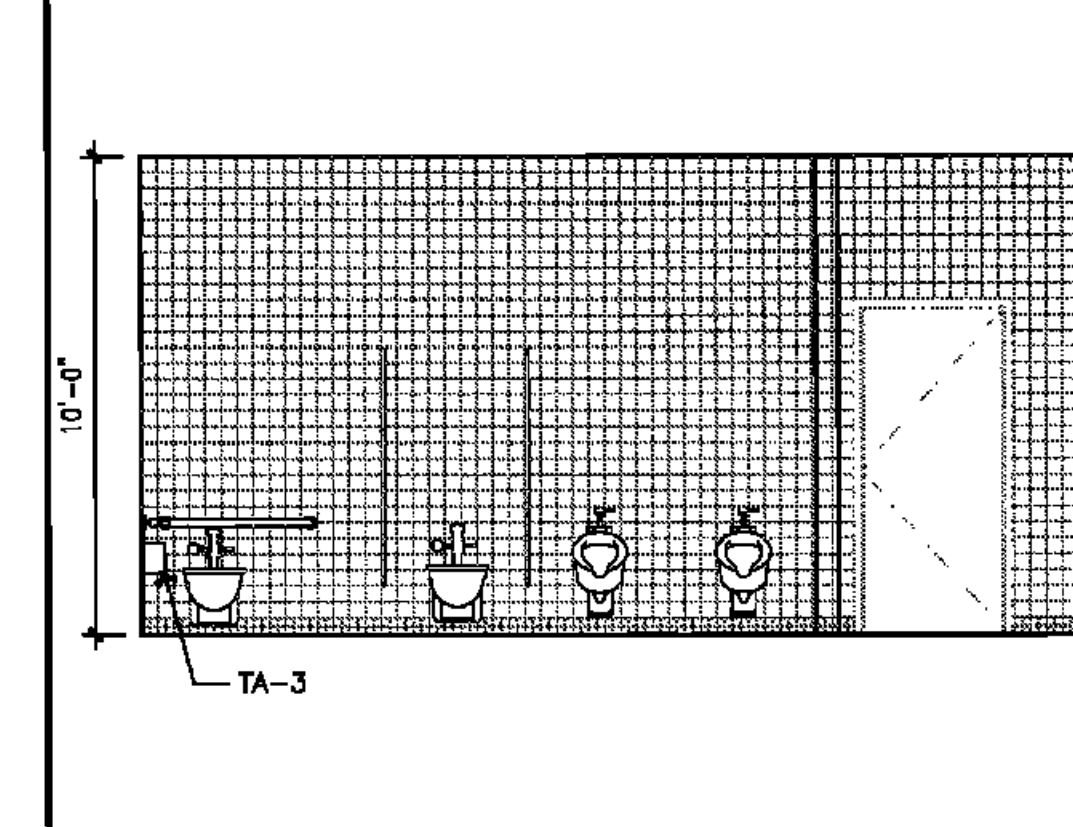
17 RR-12,13,18,19,21,22

REFER TO 4/A8.00 FOR TYPICAL ACCENT WALL.
REFER TO 6/A4.0 FOR TYPICAL HEIGHTS.



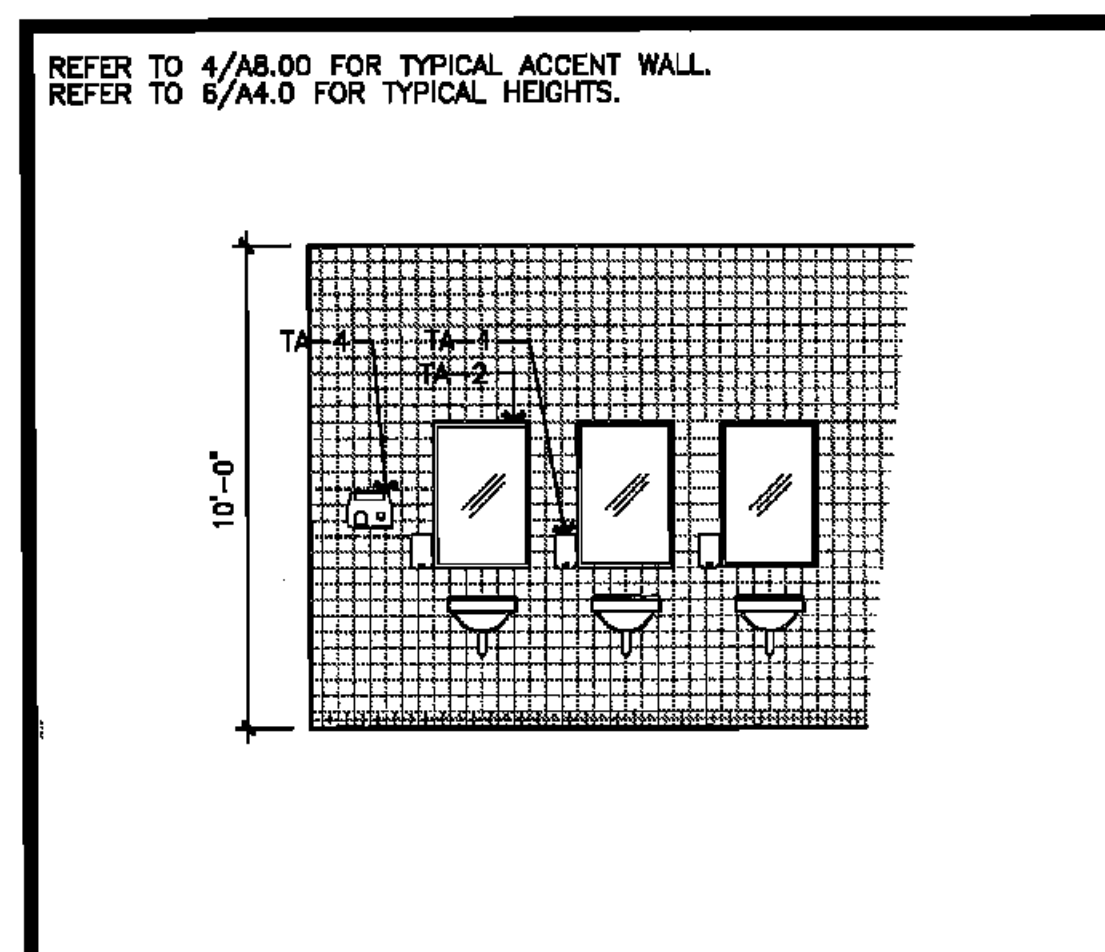
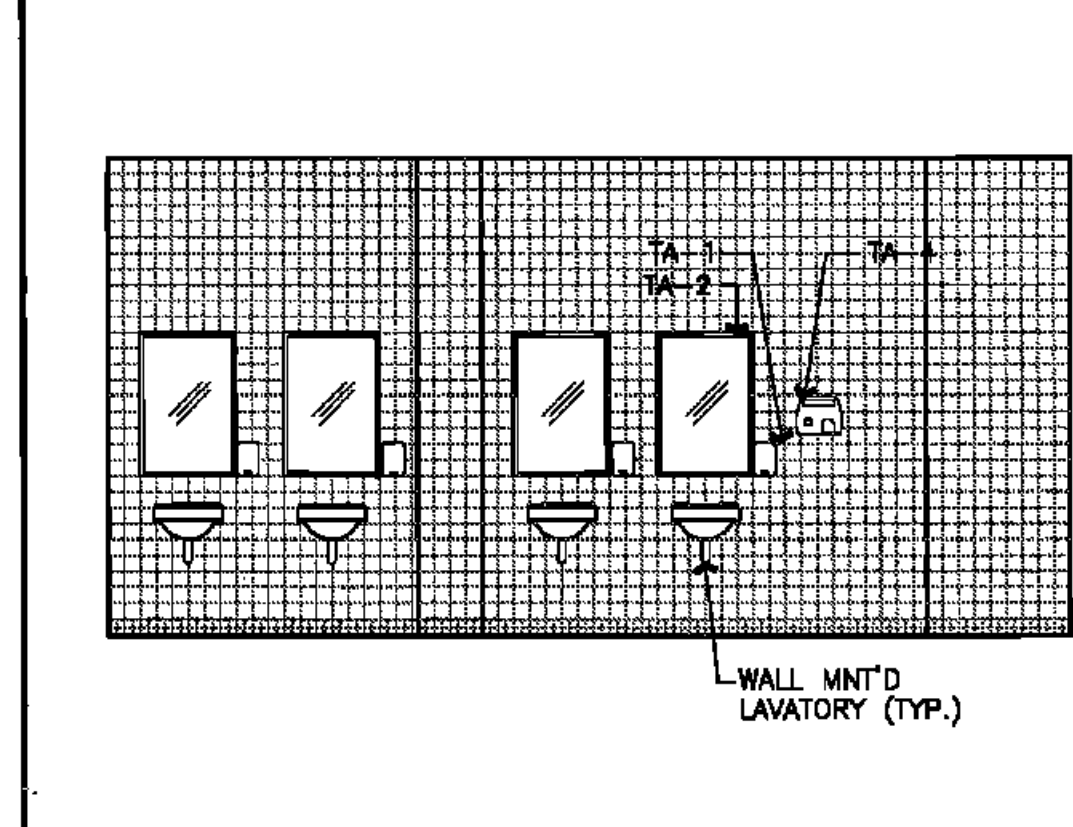
18 RR-20

REFER TO 4/A8.00 FOR TYPICAL ACCENT WALL.
REFER TO 6/A4.0 FOR TYPICAL HEIGHTS.



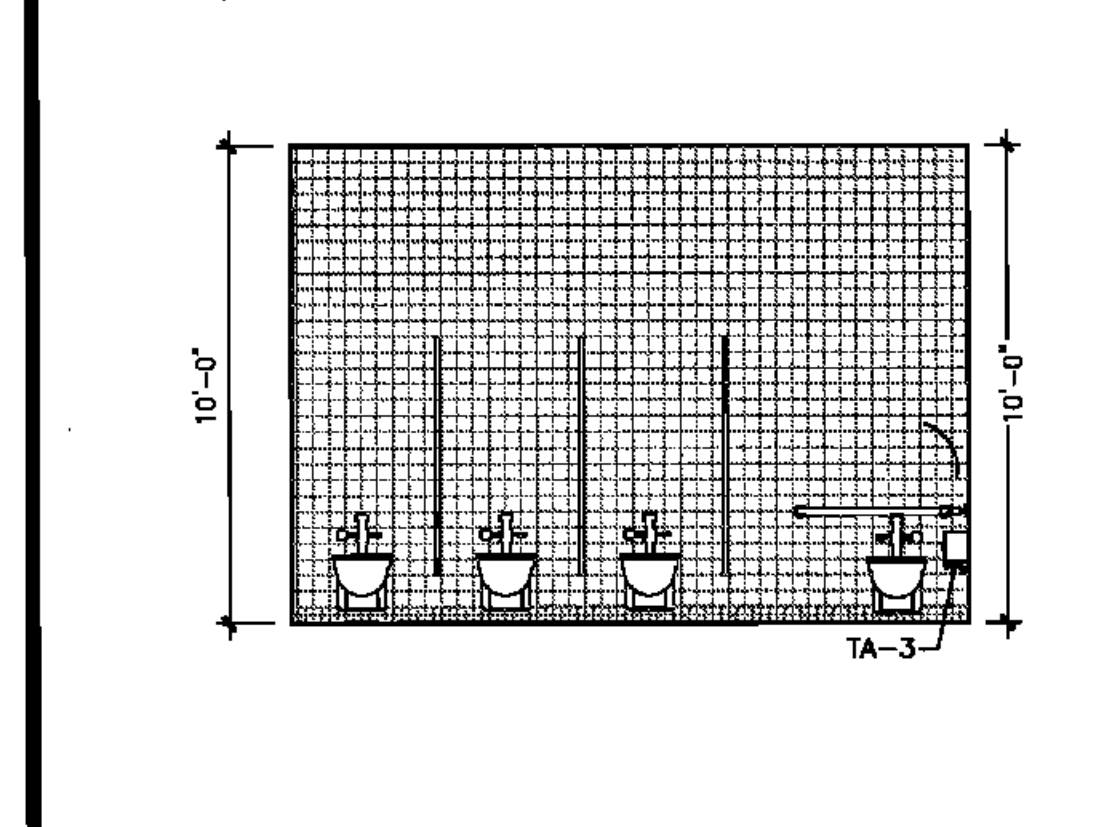
19 RR-14 AND 15

REFER TO 4/A8.00 FOR TYPICAL ACCENT WALL.
REFER TO 6/A4.0 FOR TYPICAL HEIGHTS.



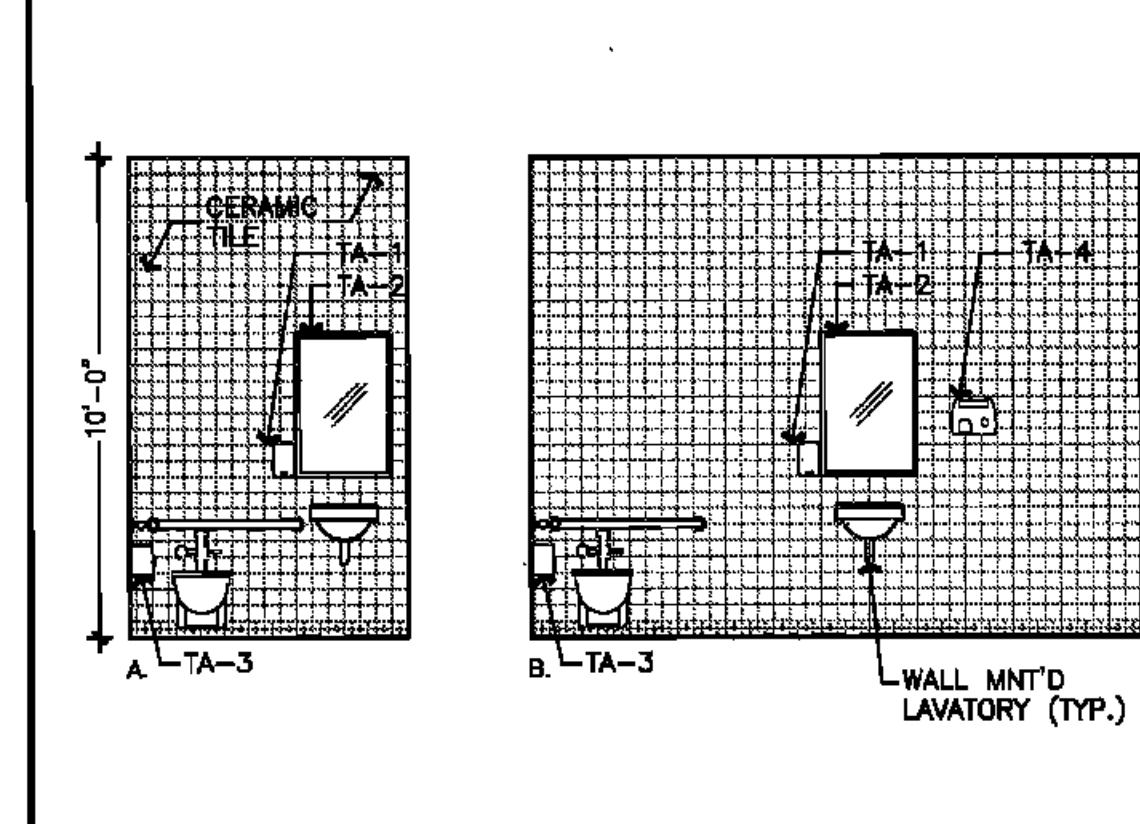
20 RR-14 AND 15

REFER TO 4/A8.00 FOR TYPICAL ACCENT WALL.
REFER TO 6/A4.0 FOR TYPICAL HEIGHTS.



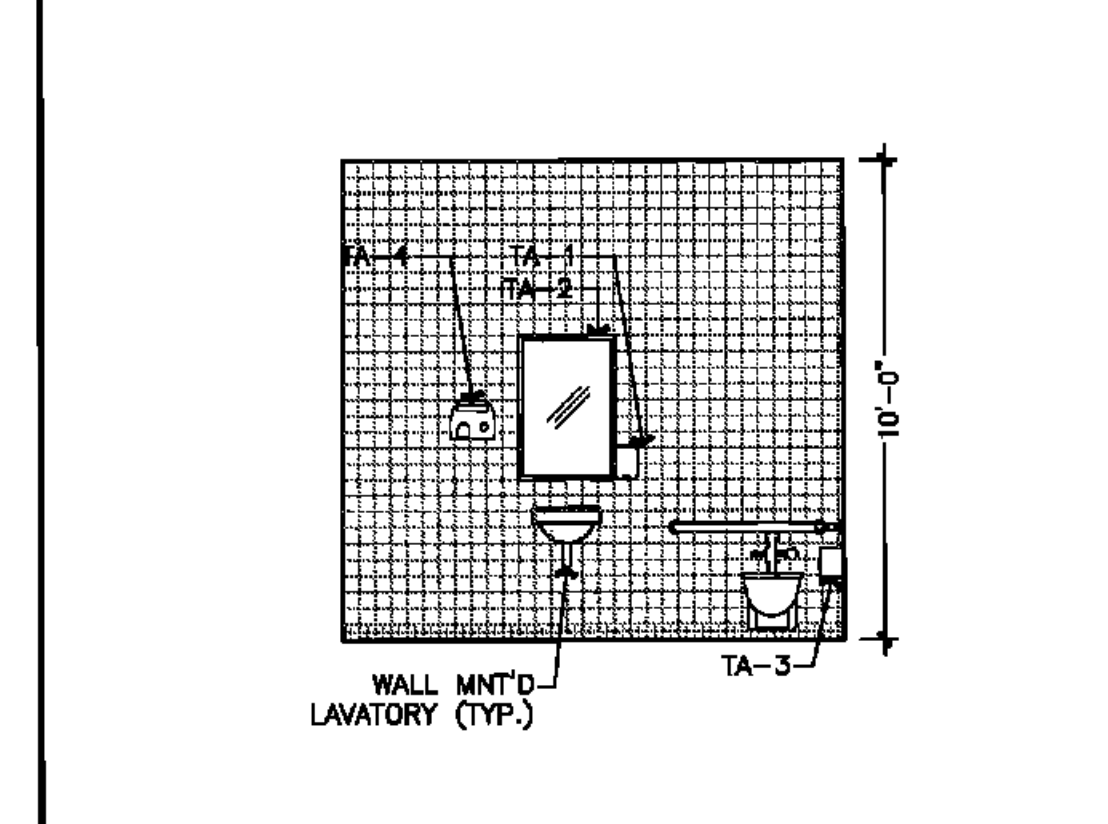
11 RESTROOM 10 + 11 0694-80.dwg
1/4" = 11'-0"

REFER TO 4/A8.00 FOR TYPICAL ACCENT WALL.
REFER TO 6/A4.0 FOR TYPICAL HEIGHTS.



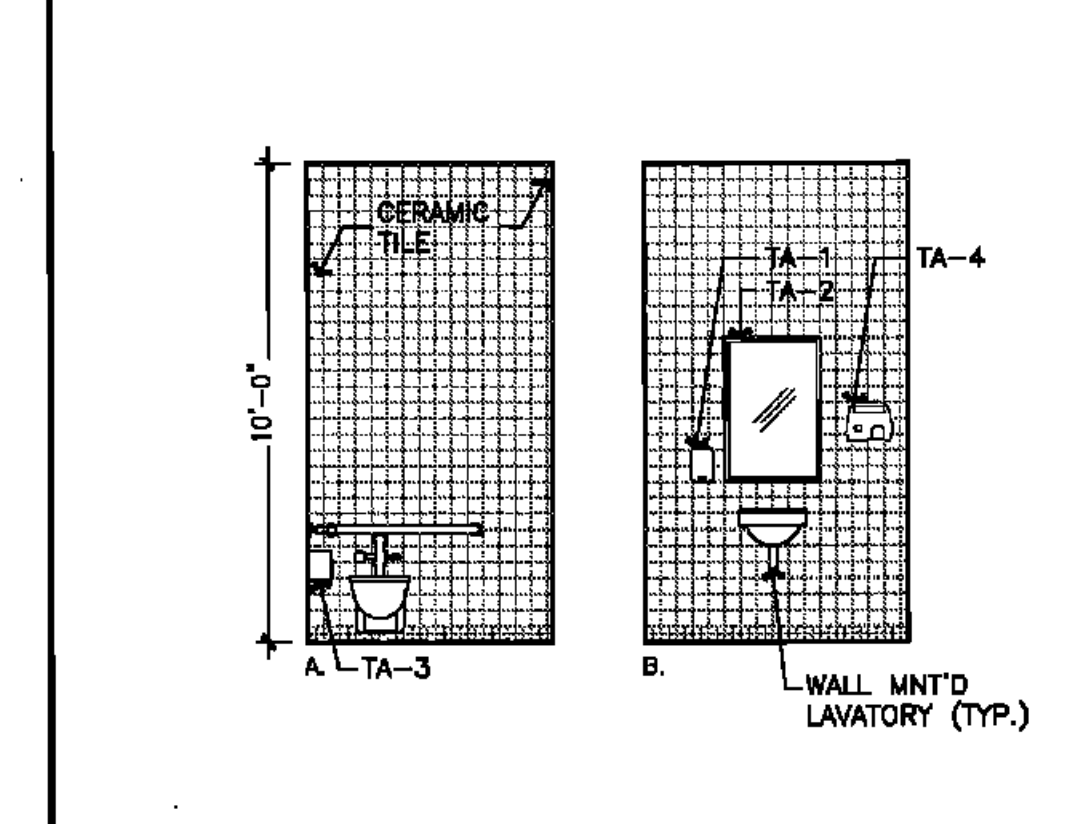
12 RR-17 1/4" = 1'-0"

REFER TO 4/A8.00 FOR TYPICAL ACCENT WALL.
REFER TO 6/A4.0 FOR TYPICAL HEIGHTS.



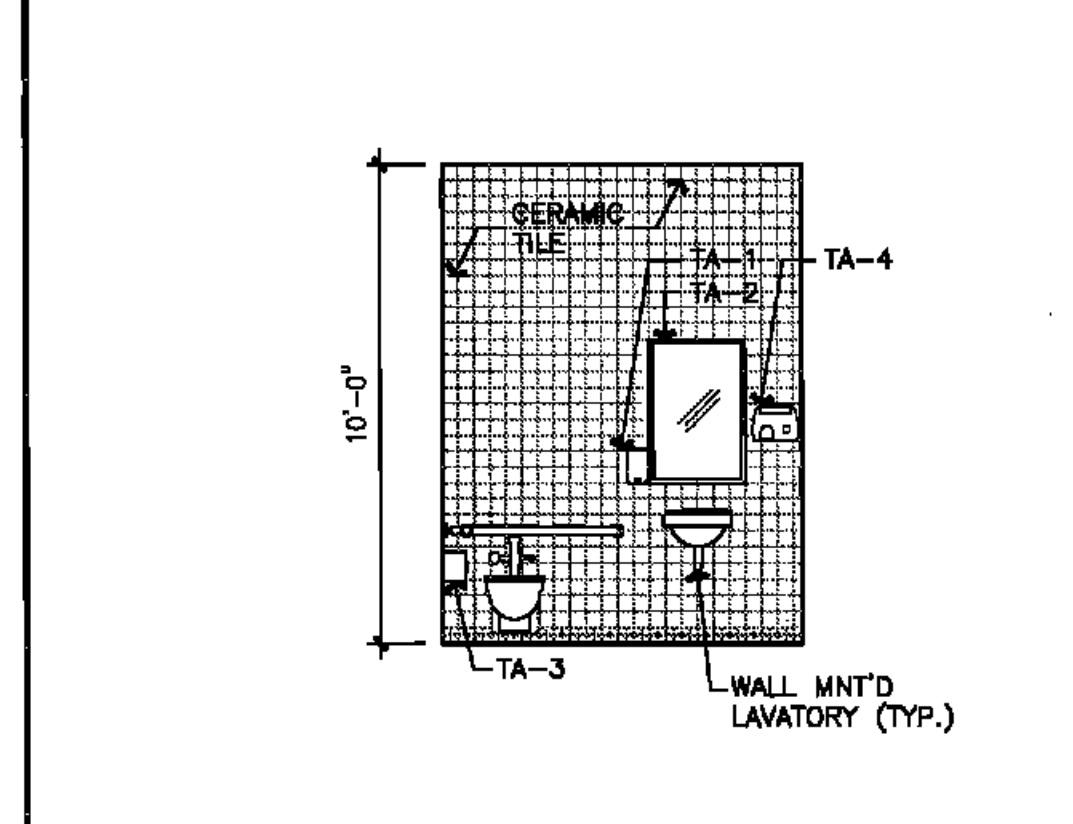
13 RR-17 1/4" = 1'-0"

REFER TO 4/A8.00 FOR TYPICAL ACCENT WALL ONLY ON 8B.
REFER TO 6/A4.0 FOR TYPICAL HEIGHTS.



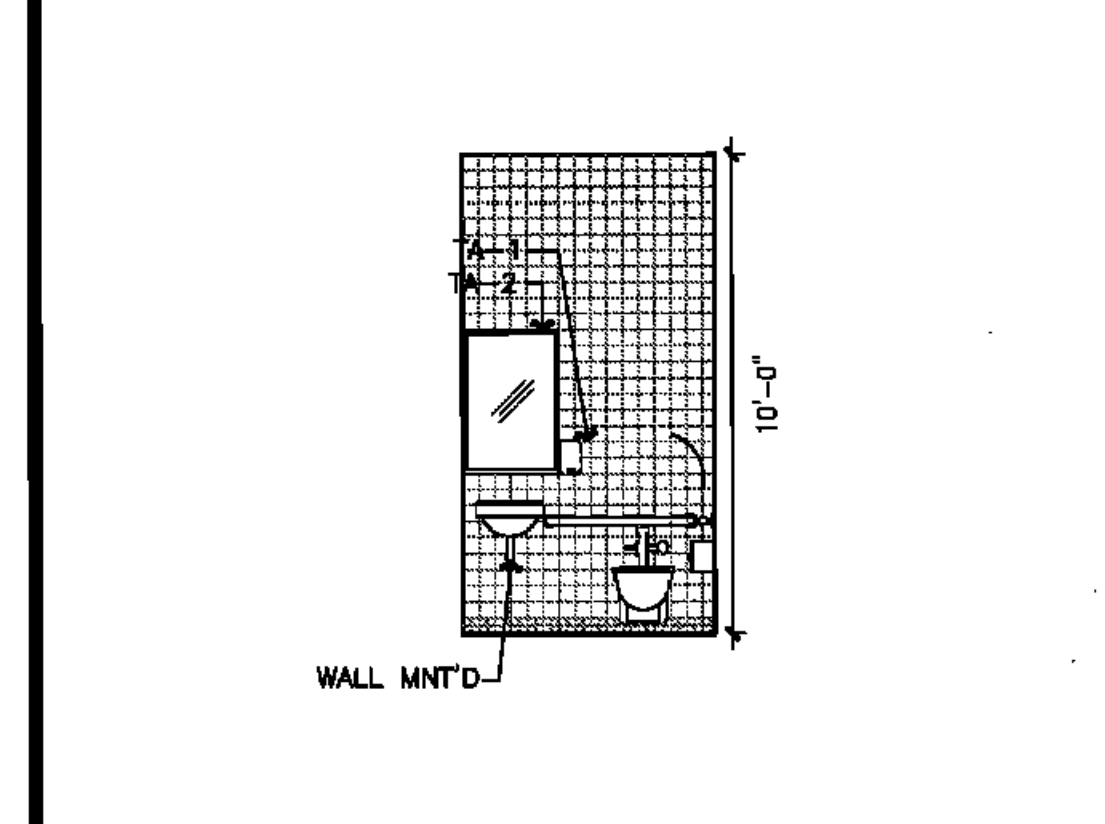
14 RR-16 1/4" = 1'-0"

REFER TO 4/A8.00 FOR TYPICAL ACCENT WALL.
REFER TO 6/A4.0 FOR TYPICAL HEIGHTS.



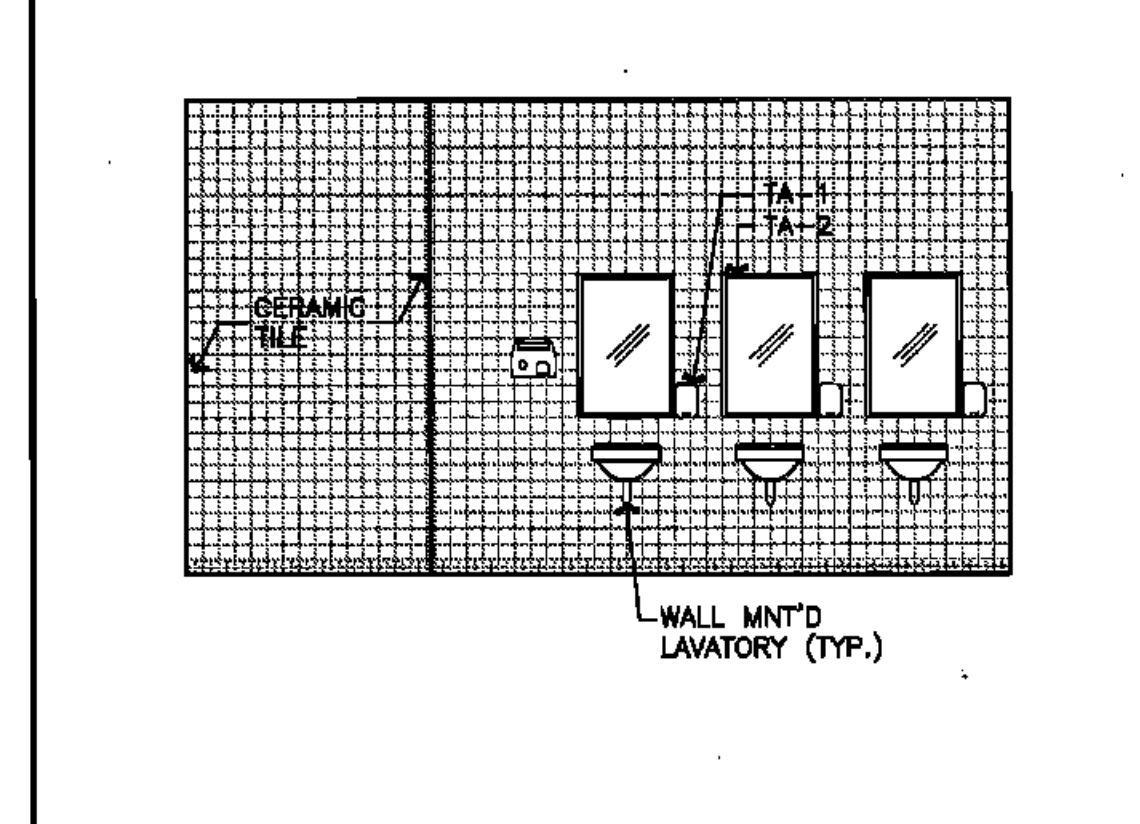
15 RR-16 1/4" = 1'-0"

REFER TO 4/A8.00 FOR TYPICAL ACCENT WALL.
REFER TO 6/A4.0 FOR TYPICAL HEIGHTS.



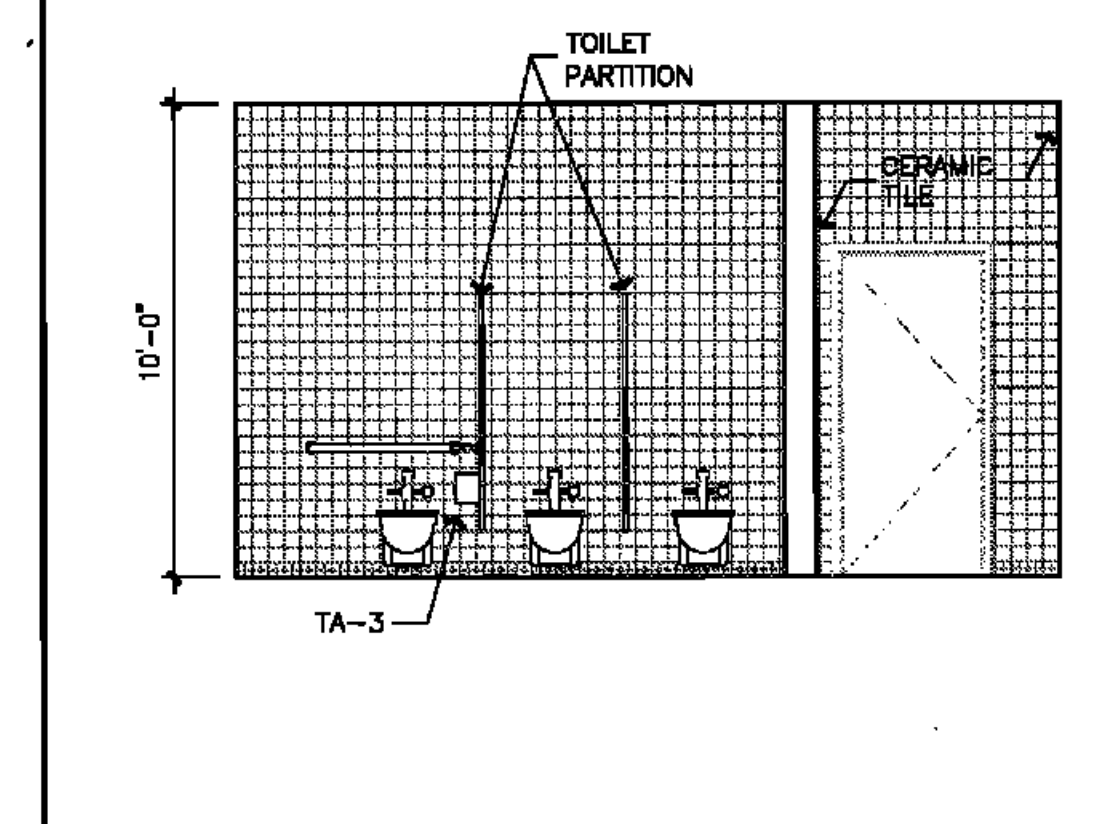
6 B125A AND RR-3 1/4" = 1'-0"

REFER TO 4/A8.00 FOR TYPICAL ACCENT WALL.
REFER TO 6/A4.0 FOR TYPICAL HEIGHTS.



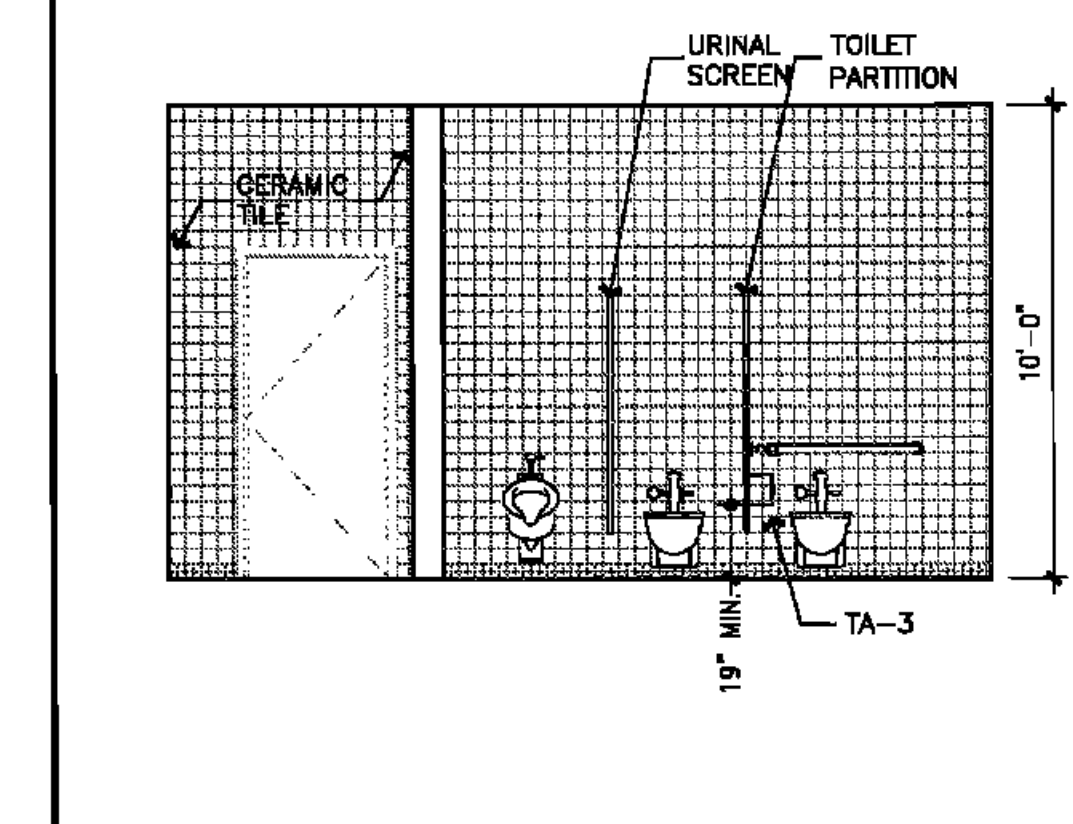
7 RR-6 AND RR-7 1/4" = 1'-0"

REFER TO 6/A4.0 FOR TYPICAL HEIGHTS.



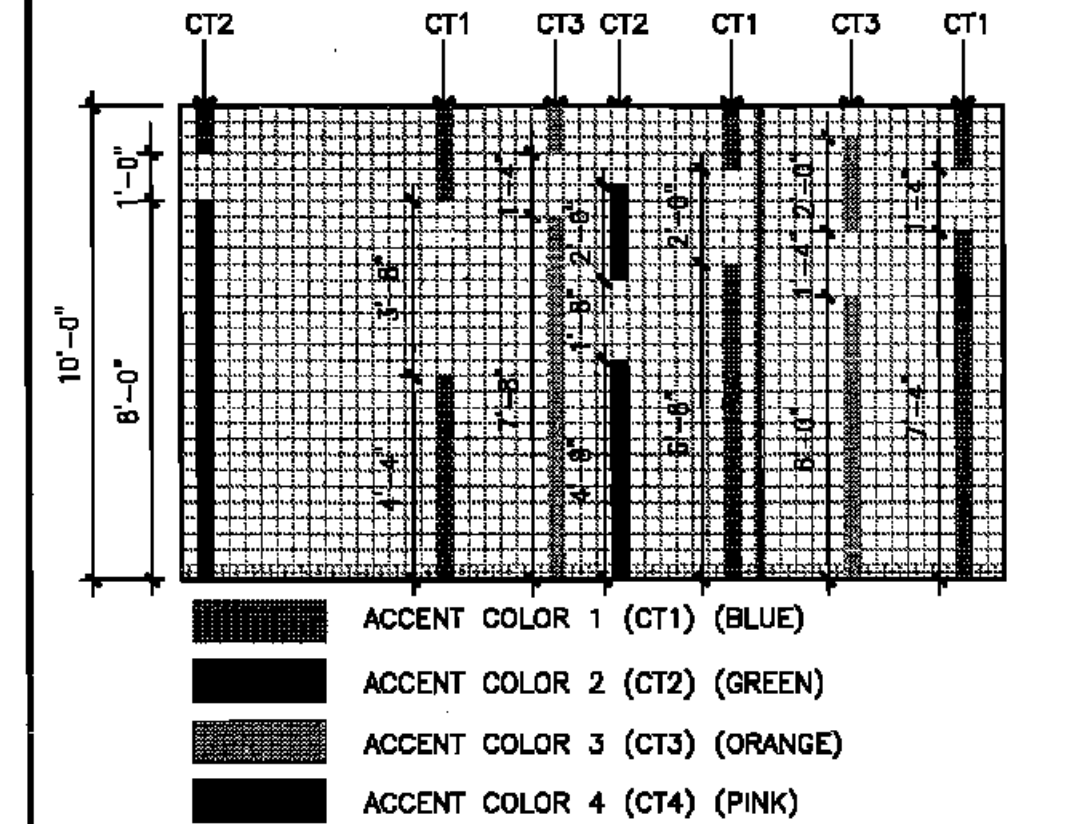
8 SPECIAL ED RR 1/4" = 1'-0"

REFER TO 6/A4.0 FOR TYPICAL HEIGHTS.



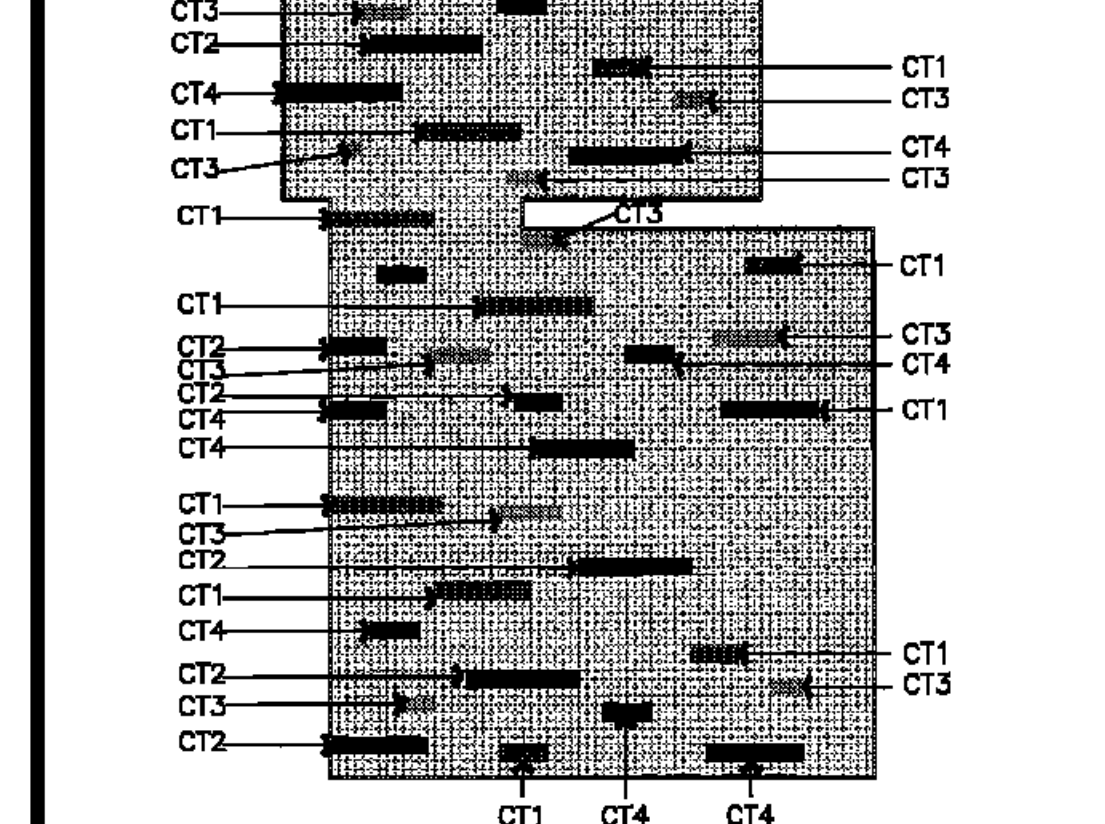
9 RR-8 1/4" = 1'-0"

REFER TO 6/A4.0 FOR TYPICAL HEIGHTS.



10 RR-9 1/4" = 1'-0"

REFER TO 6/A4.0 FOR TYPICAL HEIGHTS.



1 RR-2 AND RR-1 1/4" = 1'-0"

REFER TO 6/A4.0 FOR TYPICAL HEIGHTS.

2 RR-2 1/4" = 1'-0"

REFER TO 6/A4.0 FOR TYPICAL HEIGHTS.

3 RR-1 1/4" = 1'-0"

REFER TO 6/A4.0 FOR TYPICAL HEIGHTS.

4 TYP ACCENT WALL 1/4" = 1'-0"

REFER TO 6/A4.0 FOR TYPICAL HEIGHTS.

5 TYP ACCENT FLOOR 1/4" = 1'-0"

REFER TO 6/A4.0 FOR TYPICAL HEIGHTS.