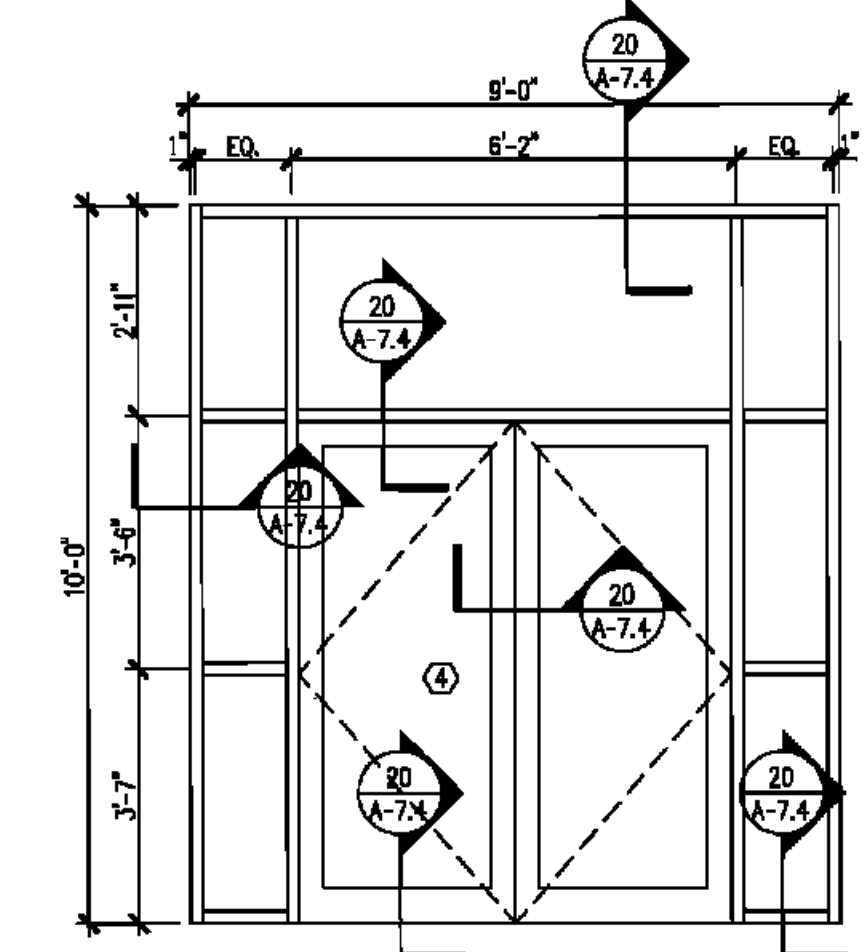
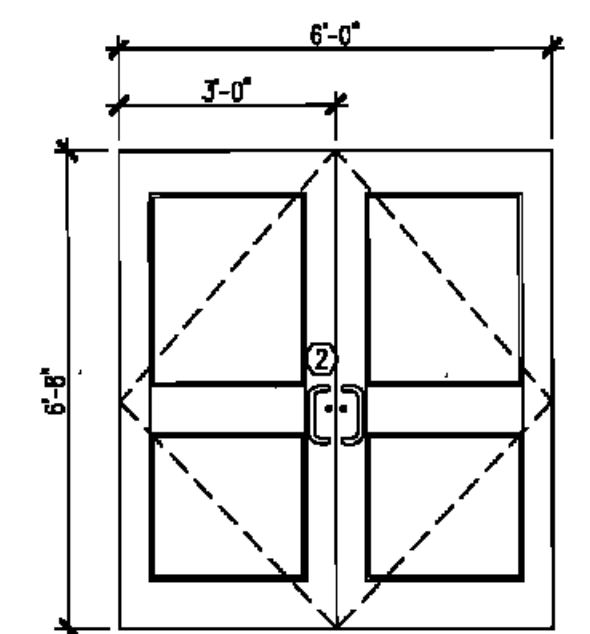
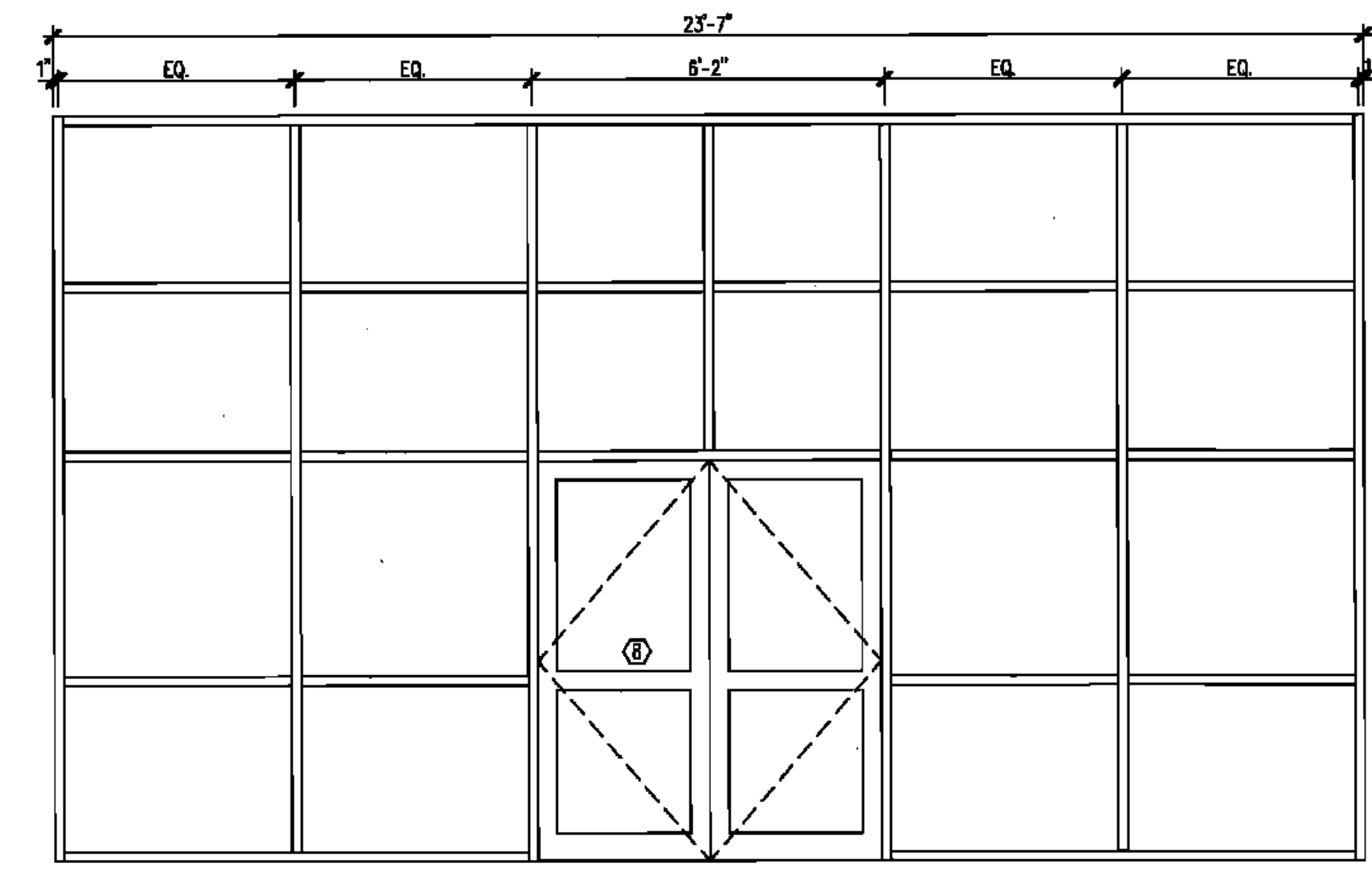
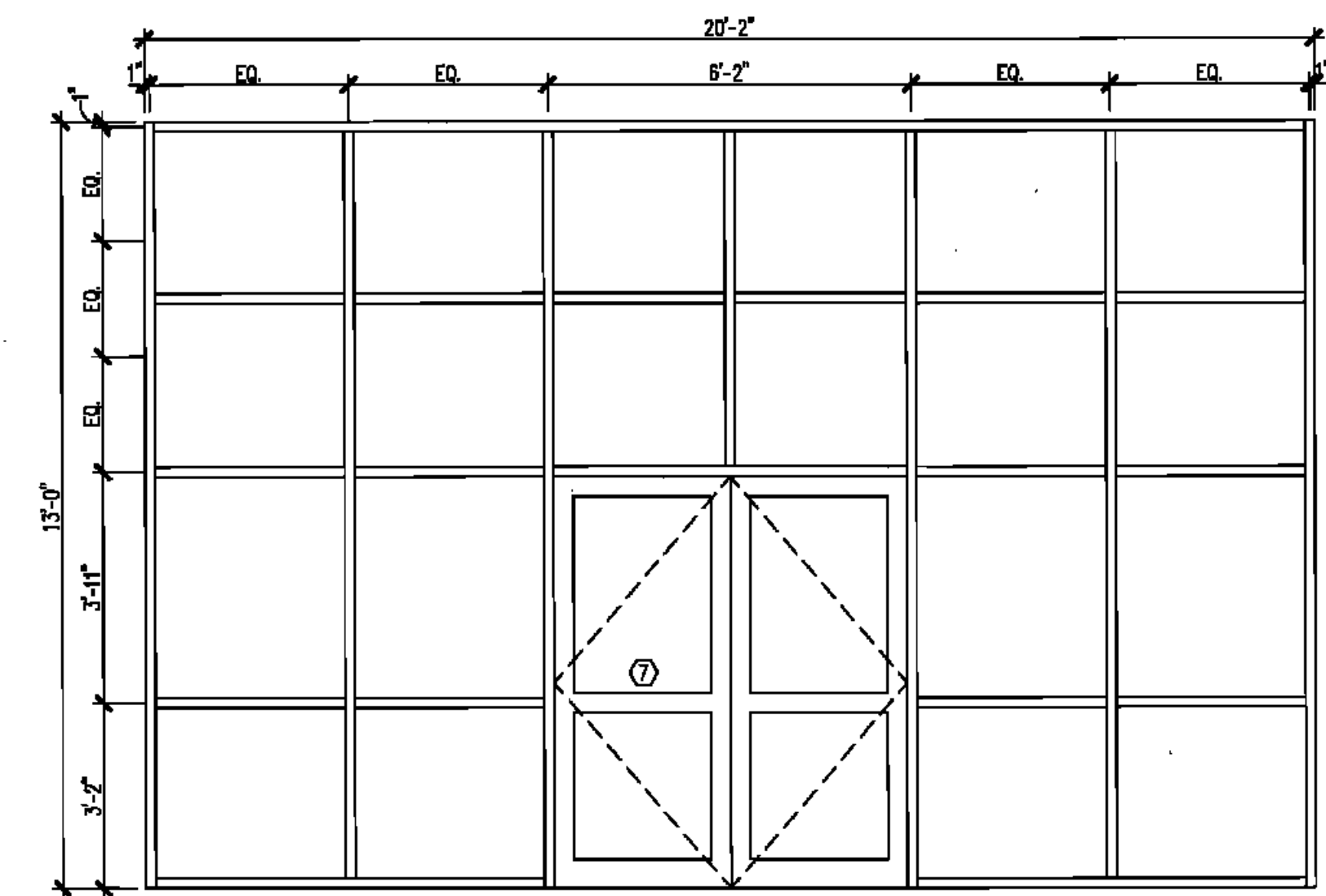
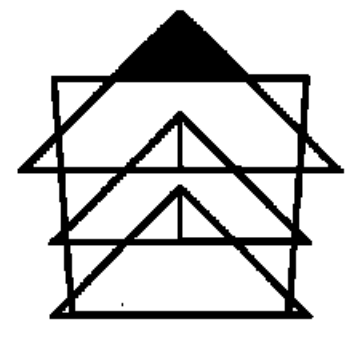
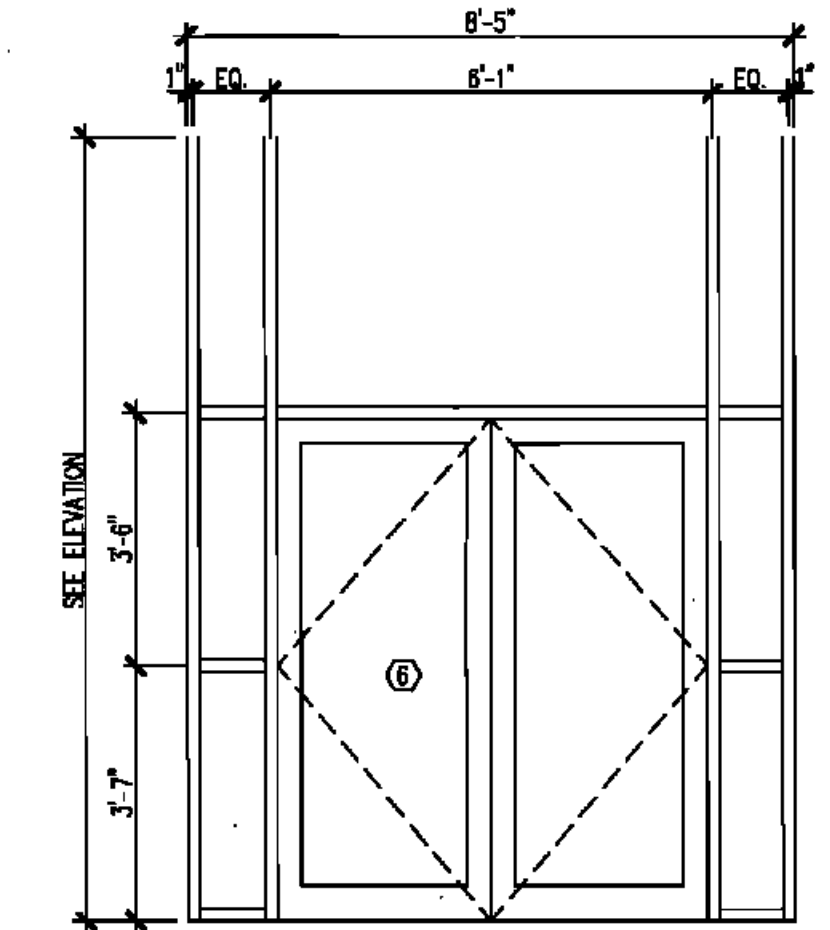
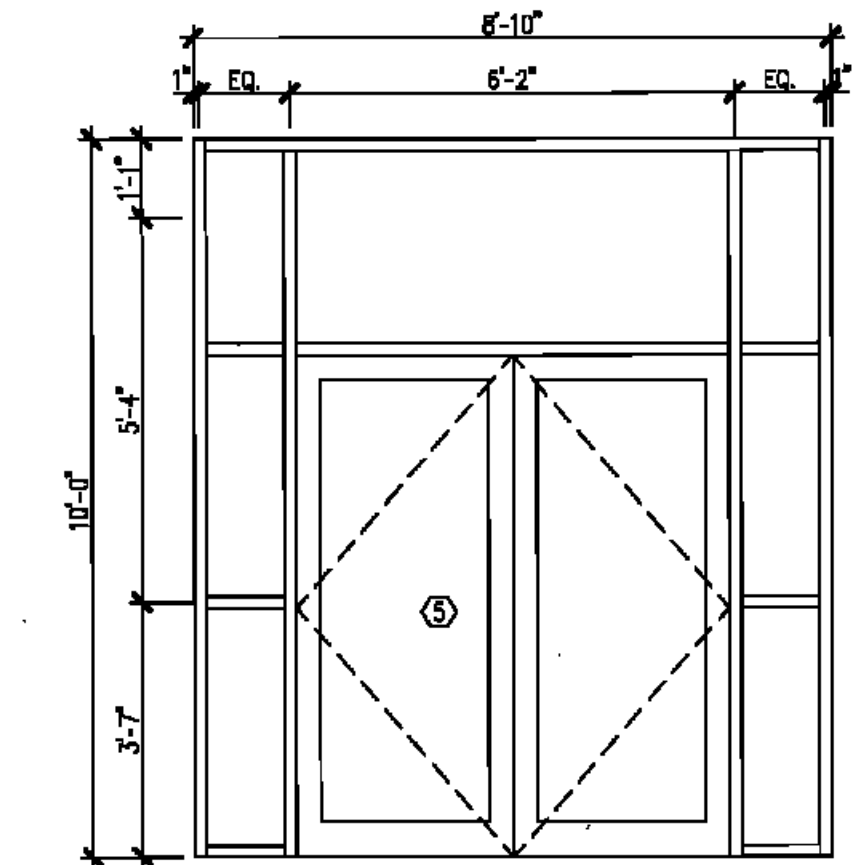


TYP. DETAILS FOR INTERIOR ALUM. DOOR SYSTEM



TYP. DETAILS FOR EXTERIOR ALUM. DOOR SYSTEM



BYRON J. STEWART & ASSOC.  
ARCHITECTS & PLANNERS, APC

2300 MARENGO STREET  
NEW ORLEANS, LOUISIANA 70115  
504 527-5339 504 527-5342 FAX

**PK**  
Architecture  
Engineering  
Planning  
Facility Consulting

**CARTER G. WOODSON SCHOOL**  
RECOVERY SCHOOL DISTRICT  
2514 THIRD STREET  
NEW ORLEANS, LOUISIANA

**FOR CONSTRUCTION**

JOB NUMBER: **BJB 128**

DATE: **04/20/10**

DRAWN BY: **P.M.**

CHECKED BY: **L.R.-P.B.**

**REVISIONS**

NO.	DATE	REVISION

SHEET TITLE:

**DOOR TYPES**

SHEET:

**A-7.1**

82 OF 223 SHEETS