

BYRON J. STEWART & ASSOC.  
ARCHITECTS & PLANNERS, APC

2300 MARENGO STREET  
NEW ORLEANS, LOUISIANA 70115  
(504) 527-5339 (504) 527-5342 FAX



Architecture  
Engineering  
Planning  
Facility Consulting

CARTER G. WOODSON SCHOOL  
RECOVERY SCHOOL DISTRICT  
2514 THIRD STREET  
NEW ORLEANS, LOUISIANA

FOR CONSTRUCTION

JOB NUMBER:

BJB 128

DATE:

04/28/10

DRAWN BY:

P.M.-L.G.

CHECKED BY:

L.R.-P.B.

REVISIONS

| NO. | DATE | REVISION |
|-----|------|----------|
|     |      |          |
|     |      |          |
|     |      |          |

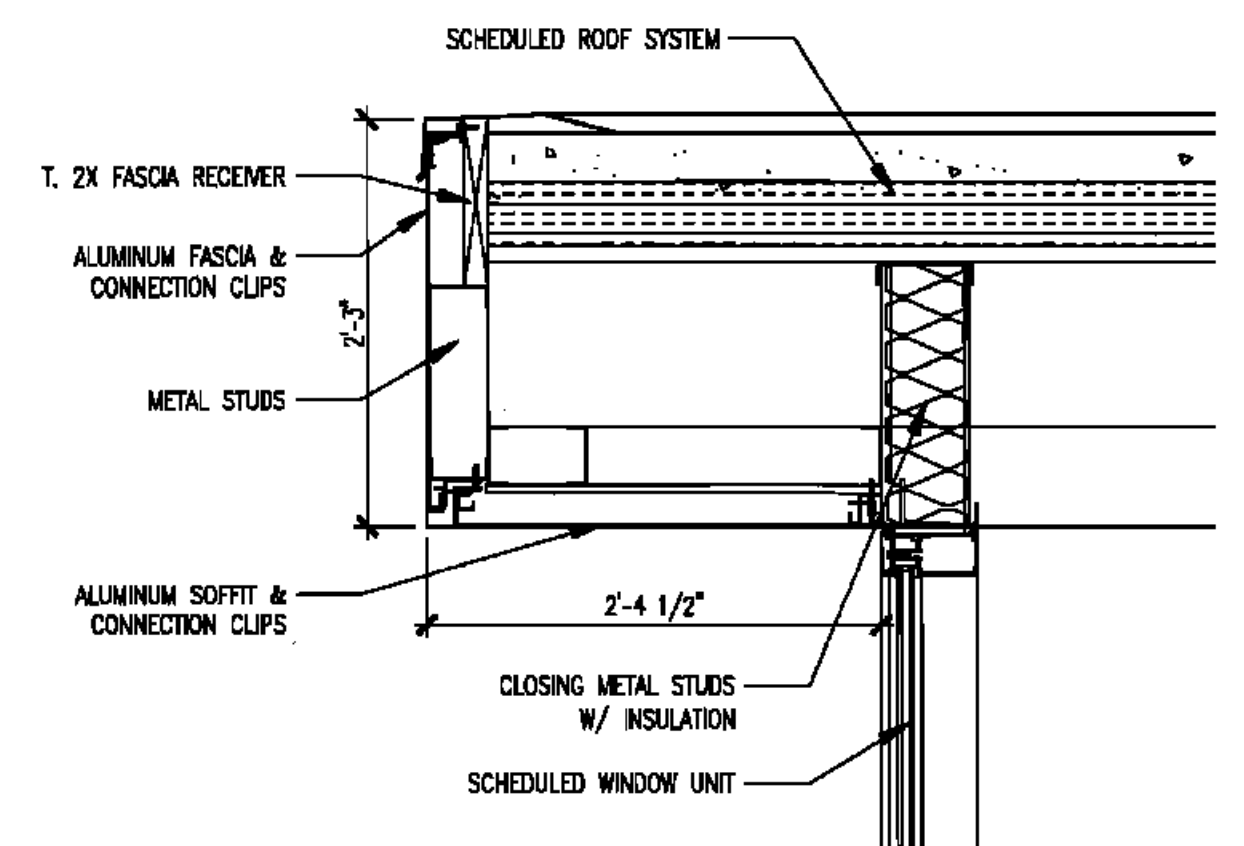
SHEET TITLE:

WALL DETAILS

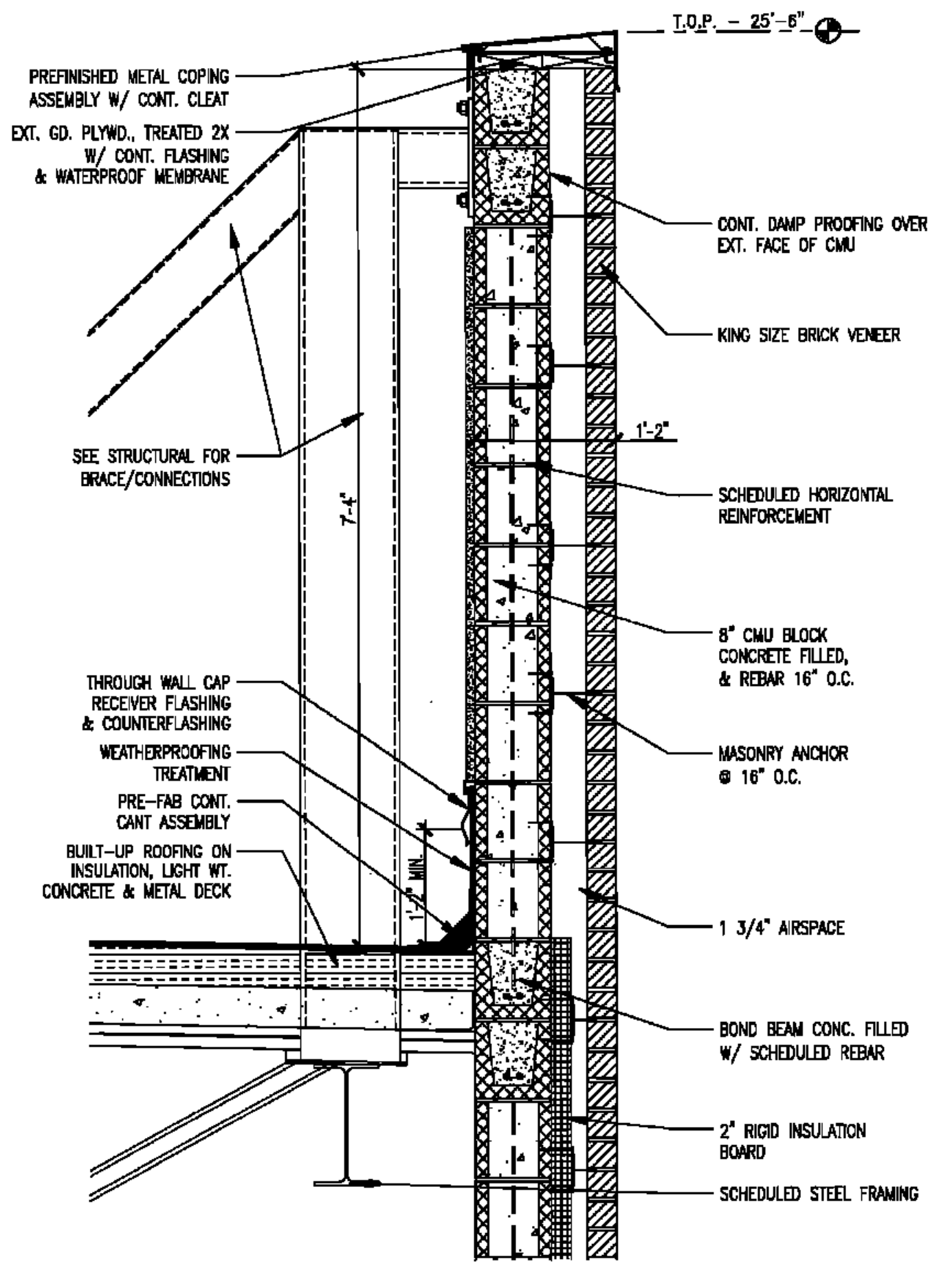
SHEET:

A-6.13

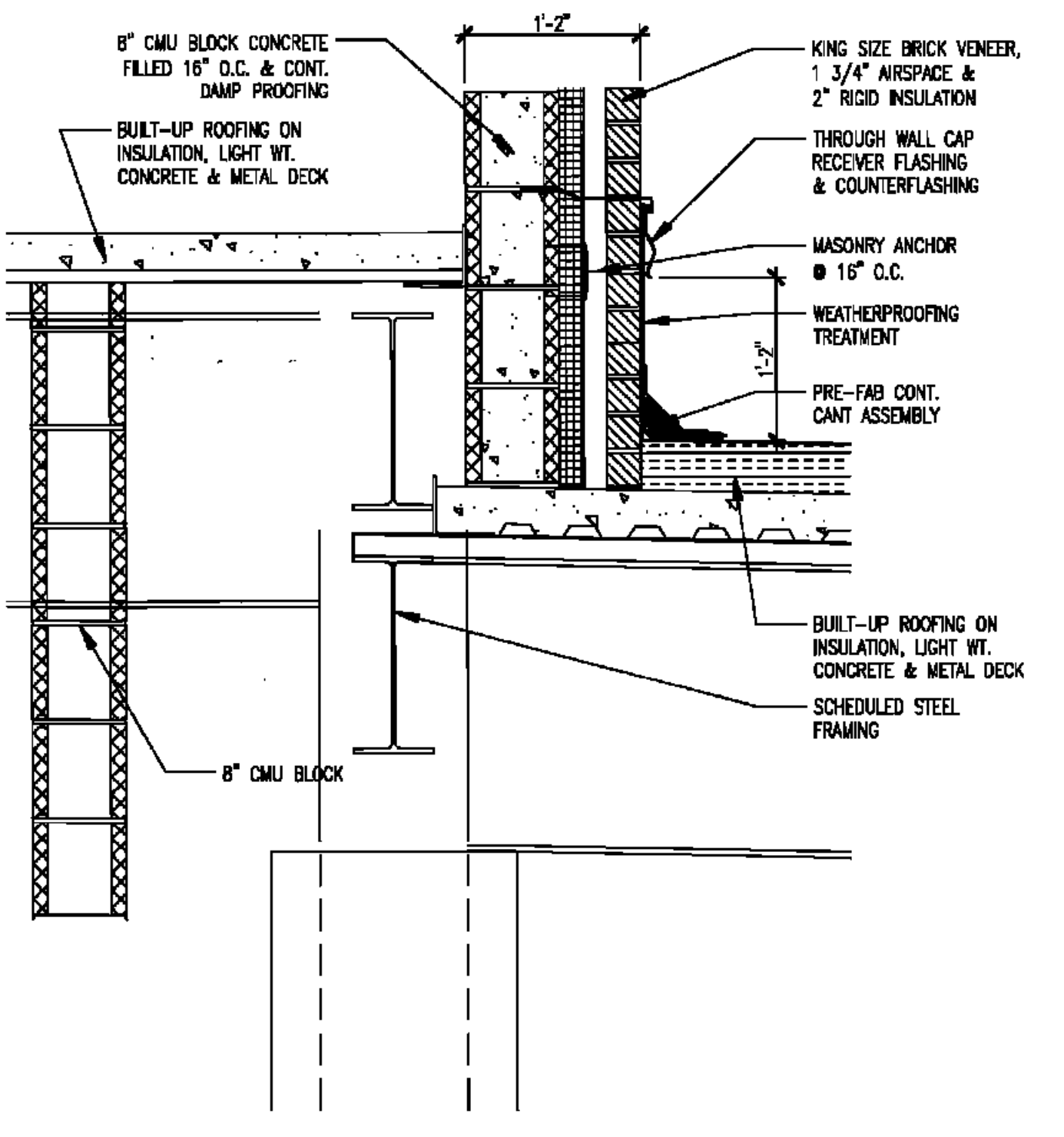
77 OF 223 SHEETS



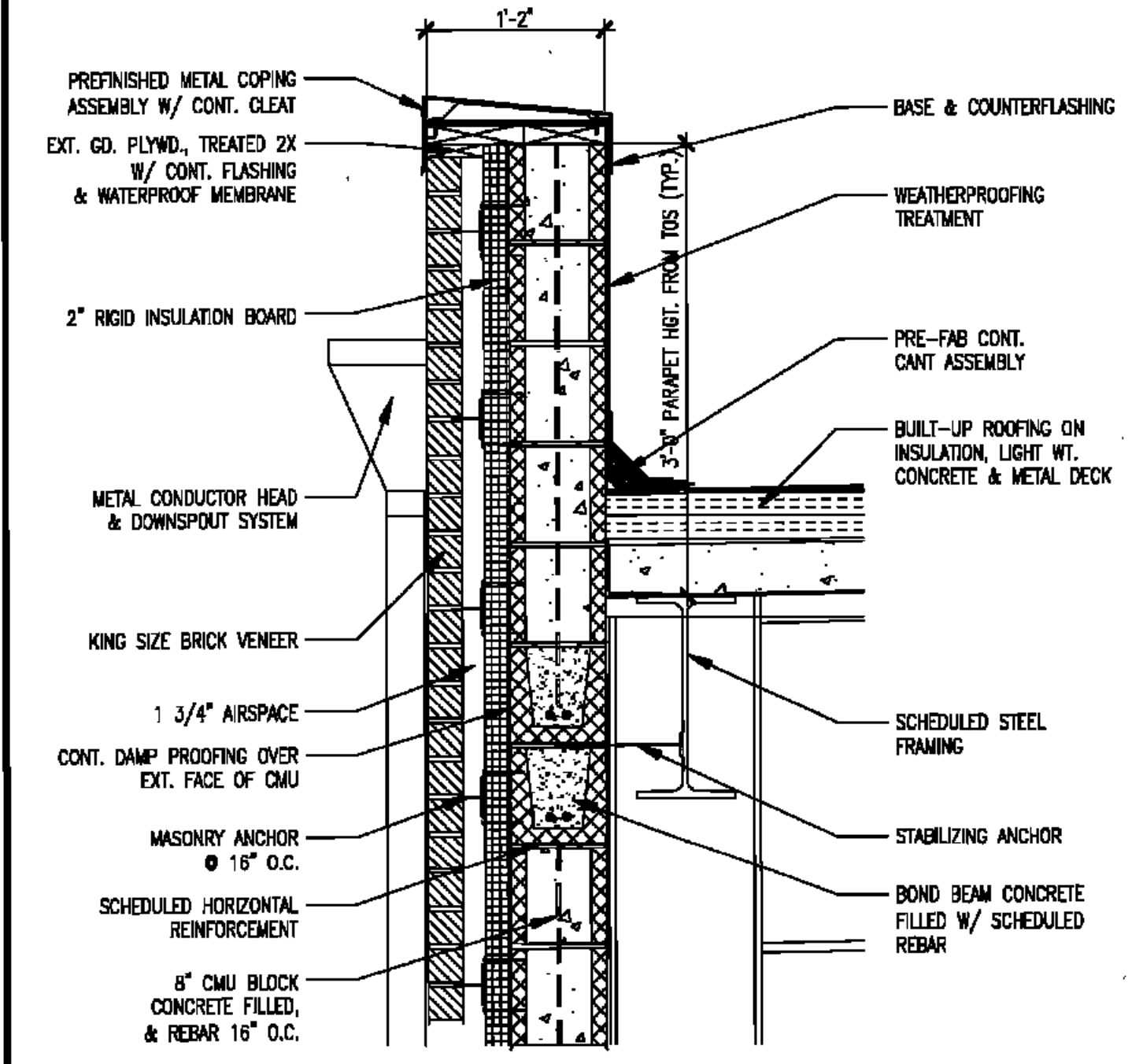
5 | DETAIL SCALE 1"=1'-0"



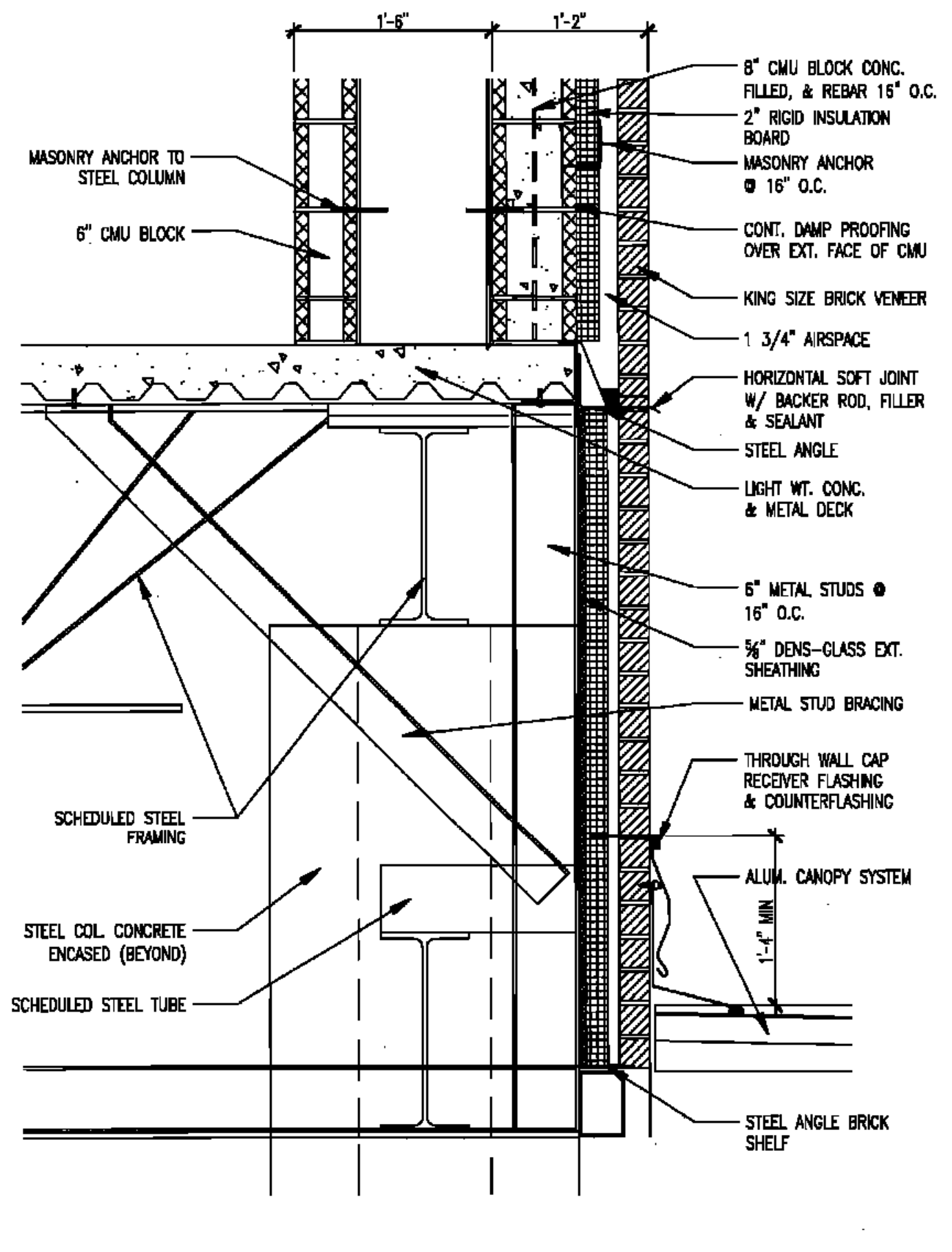
6 | DETAIL SCALE 1"=1'-0"



7 | DETAIL SCALE 1"=1'-0"



8 | NOT USED SCALE 1"=1'-0"



1 | DETAIL SCALE 1"=1'-0"

2 | DETAIL SCALE 1"=1'-0"

3 | DETAIL SCALE 1"=1'-0"

4 | DETAIL SCALE 1"=1'-0"