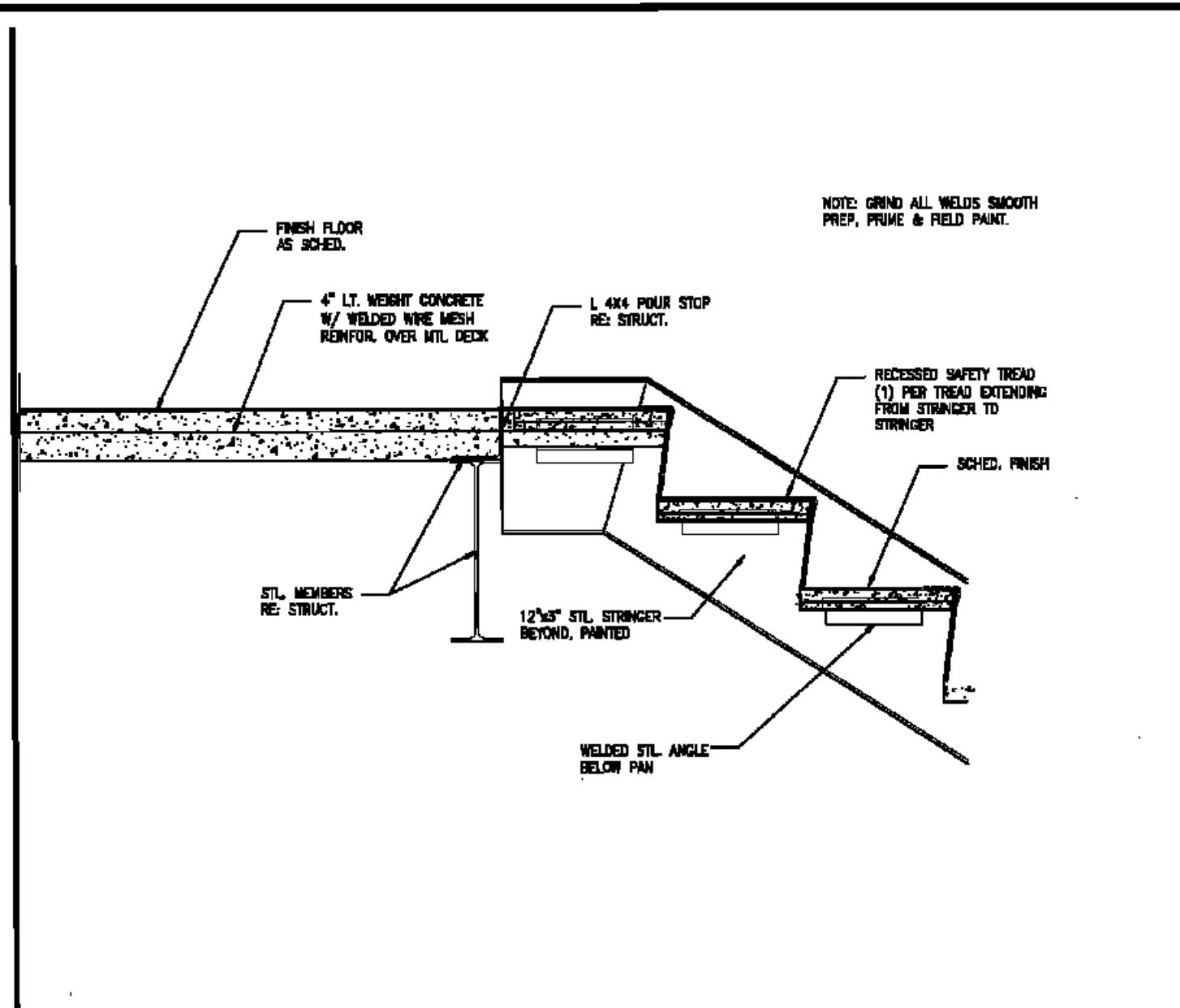
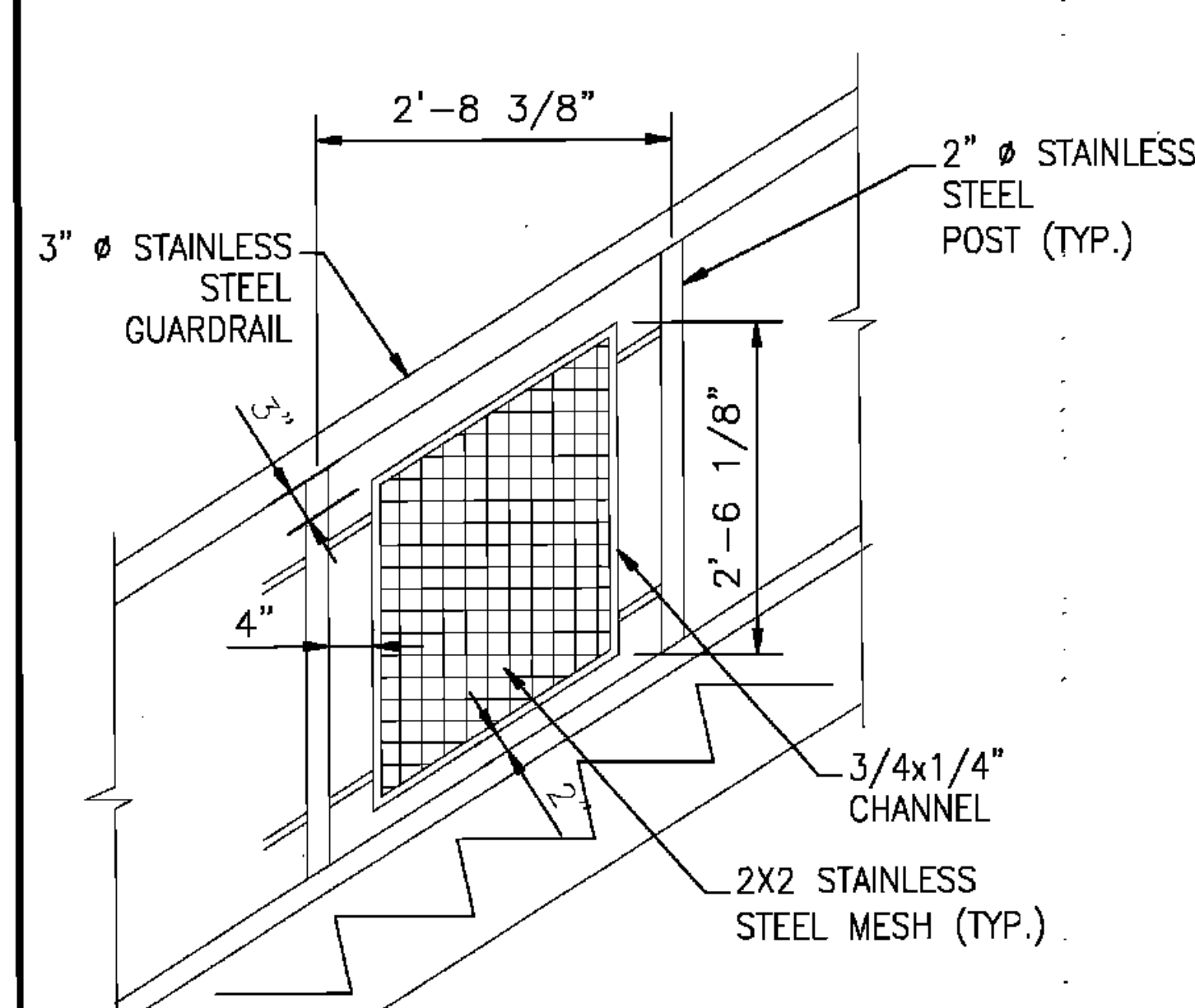


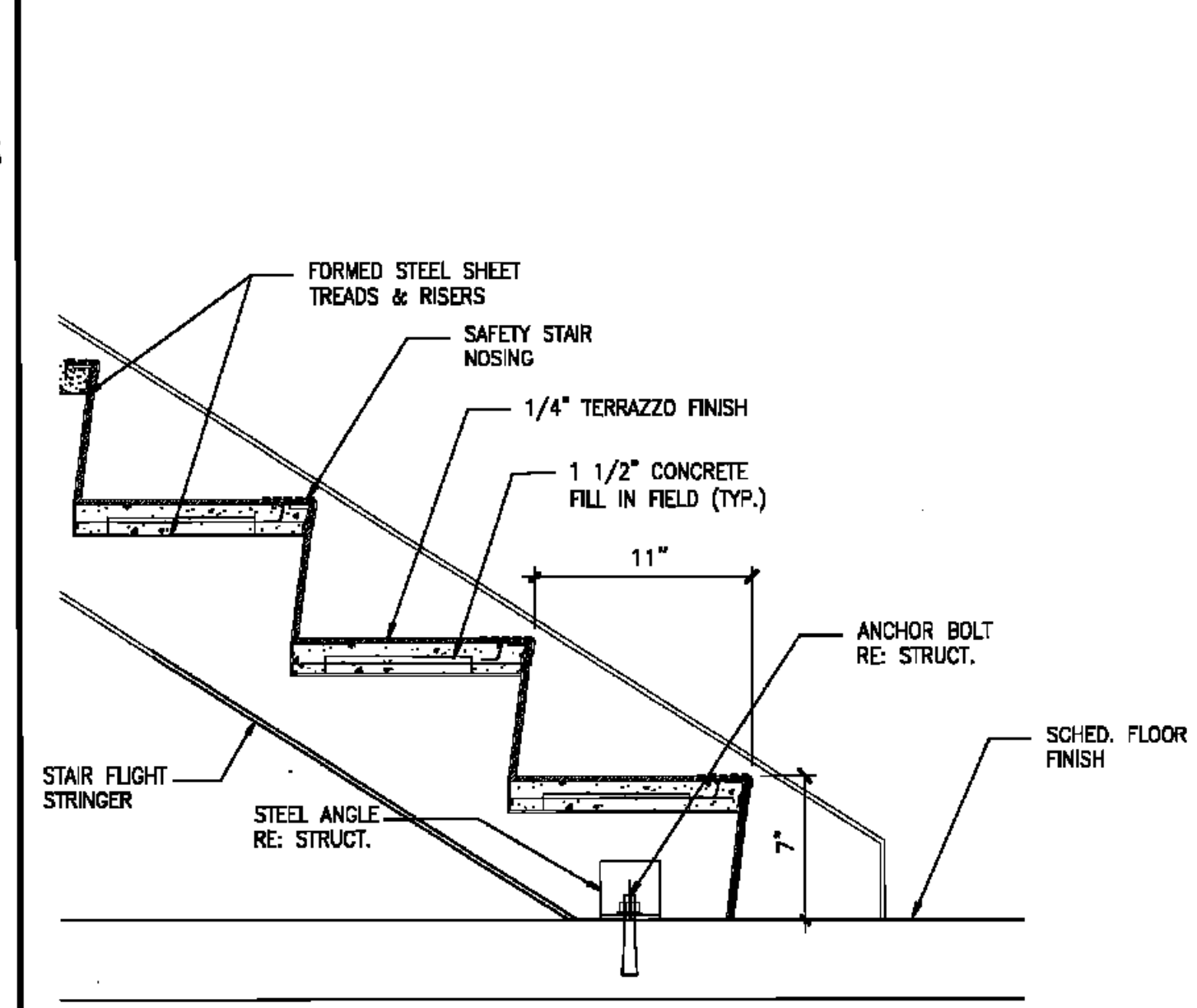
7 DETAIL 1"=1'-0"



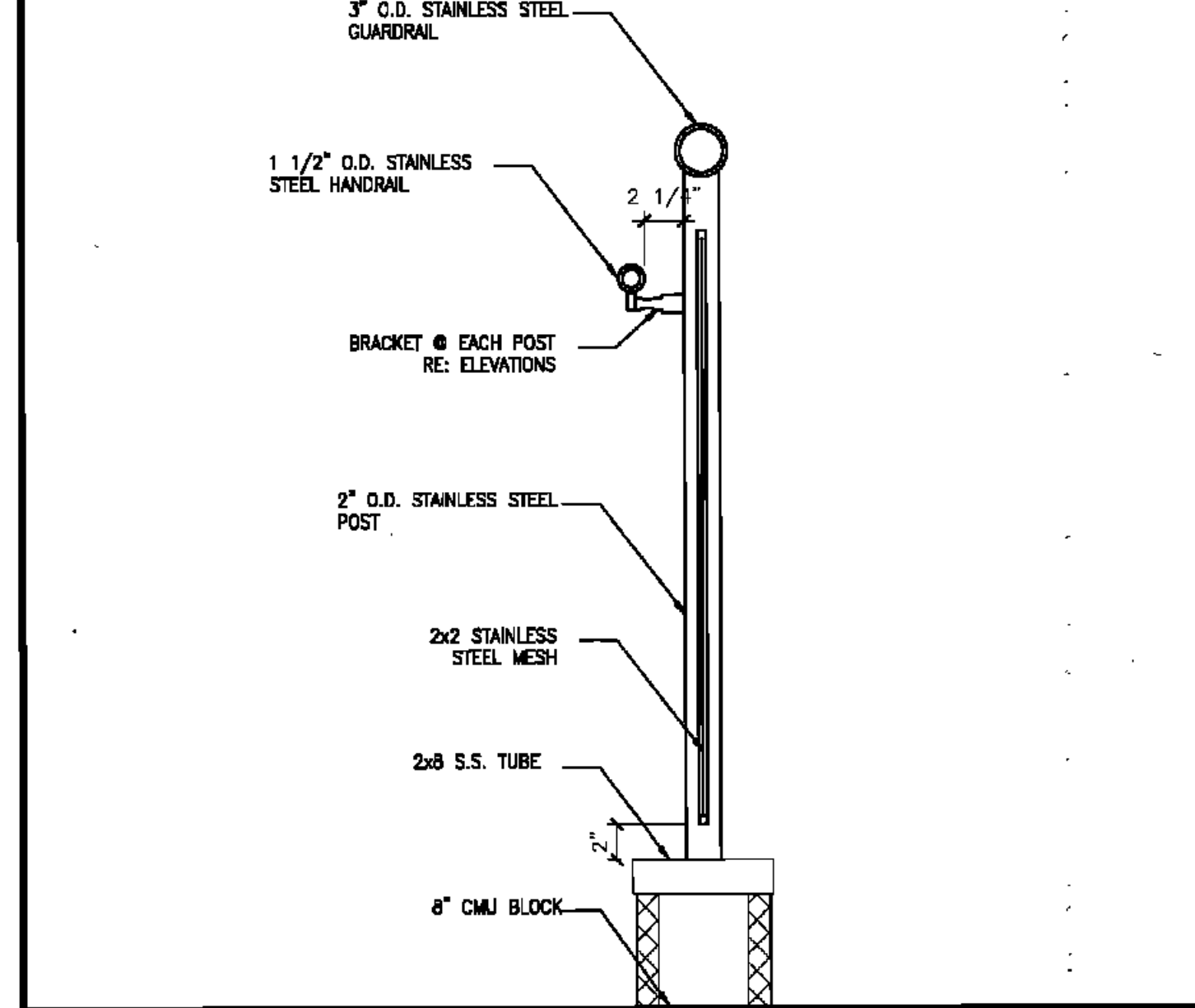
6 DETAIL 1"=1'-0"



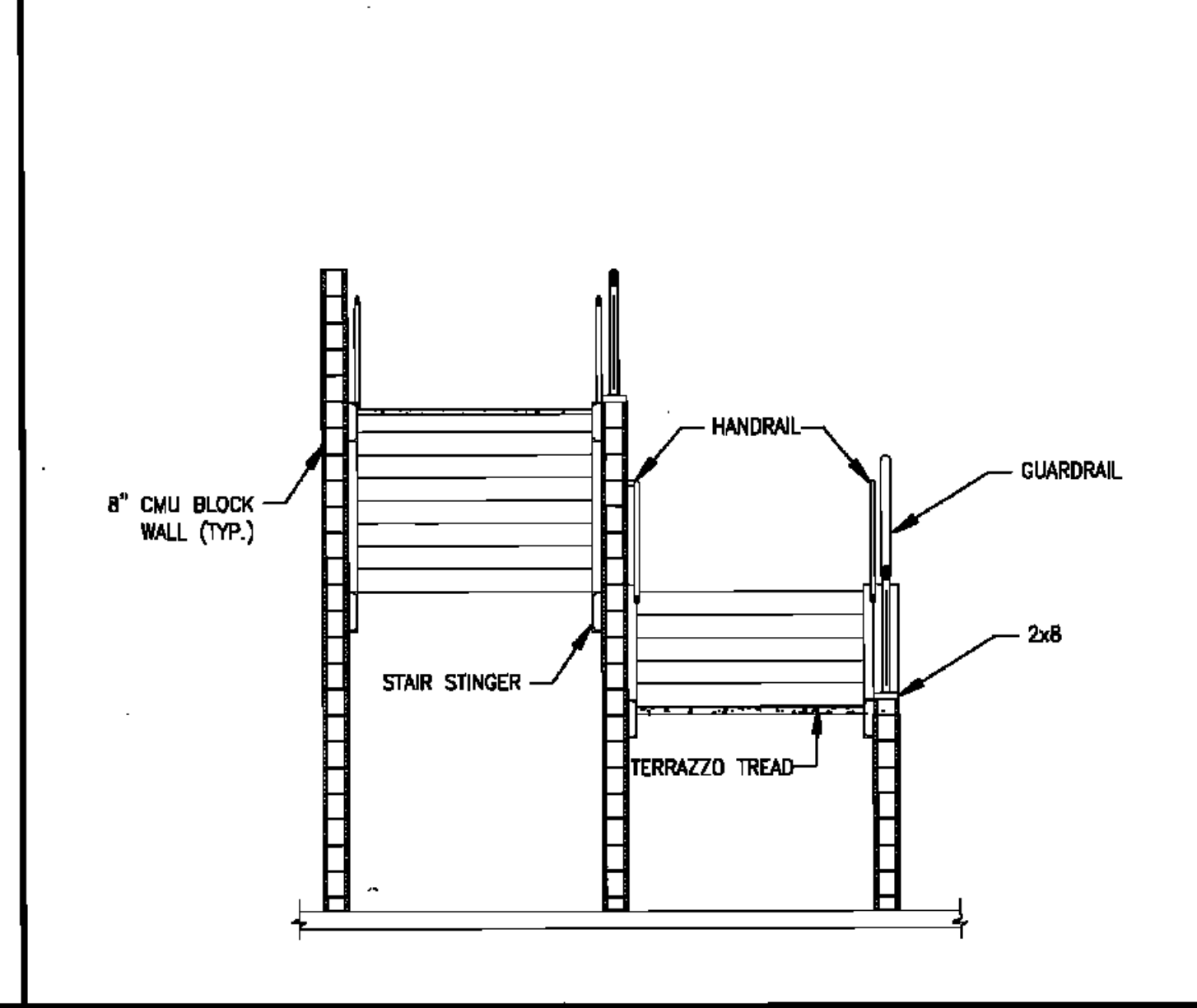
5 DETAIL



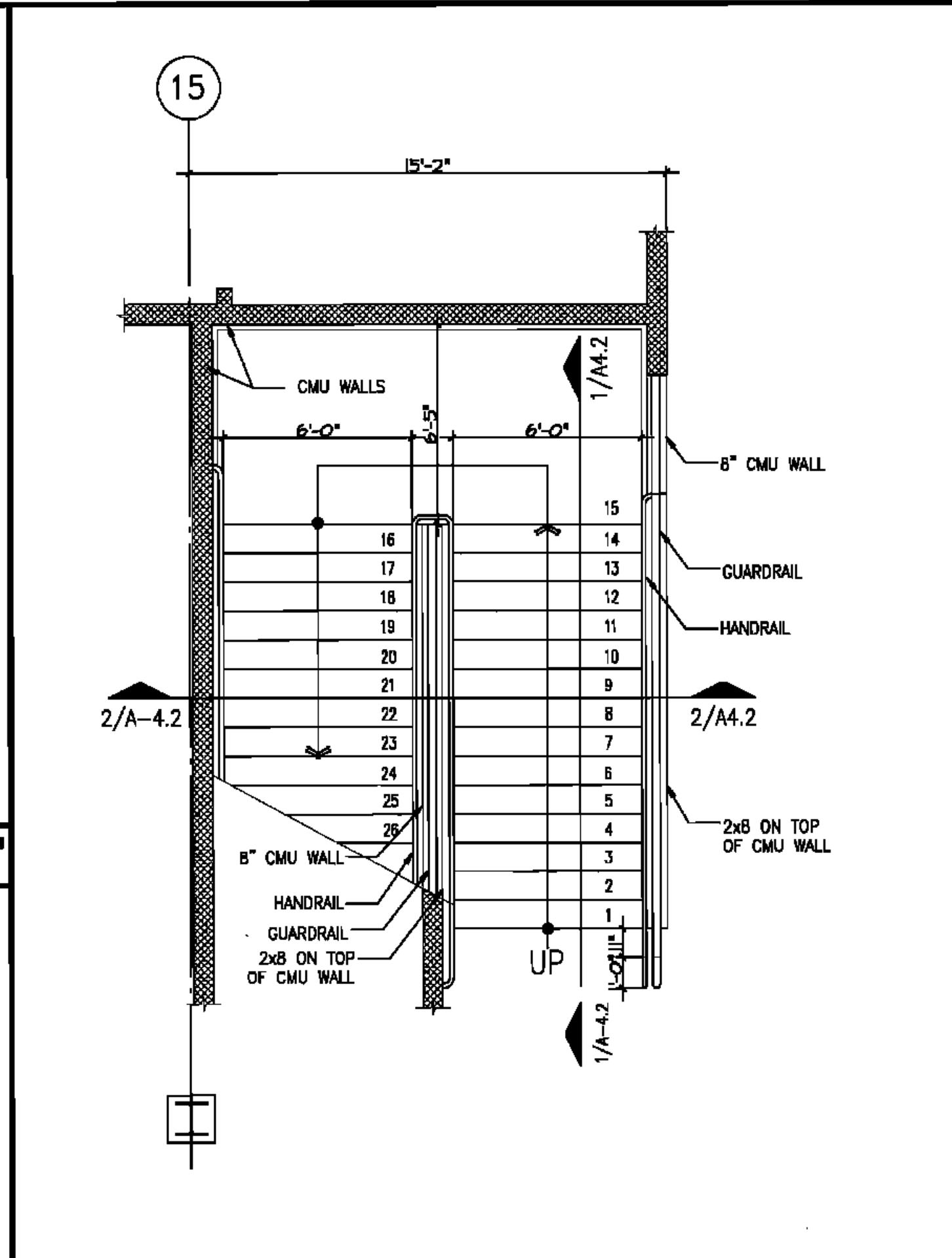
4 DETAIL 1 1/2"=1'-0"



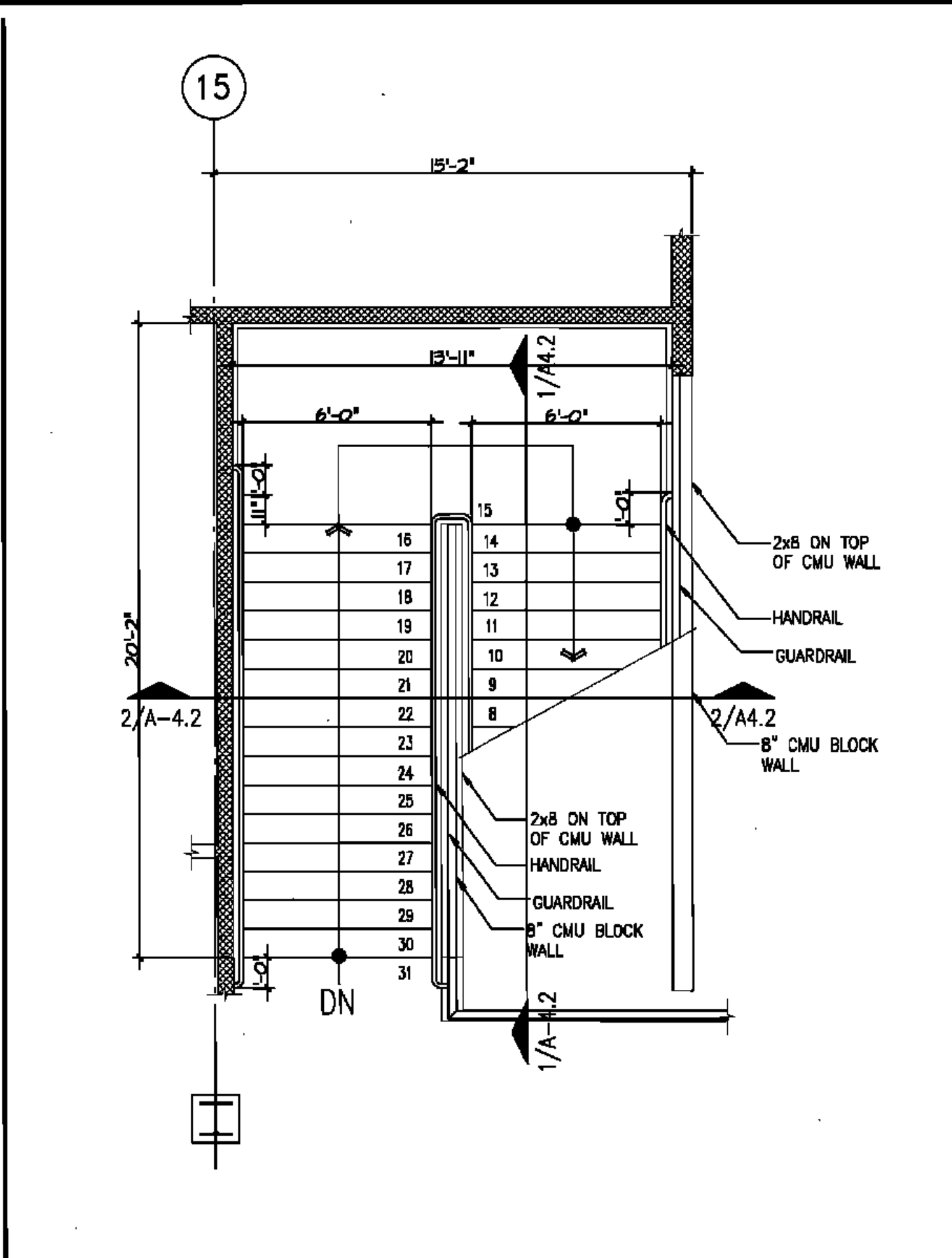
3 DETAIL SCALE = N.T.S.



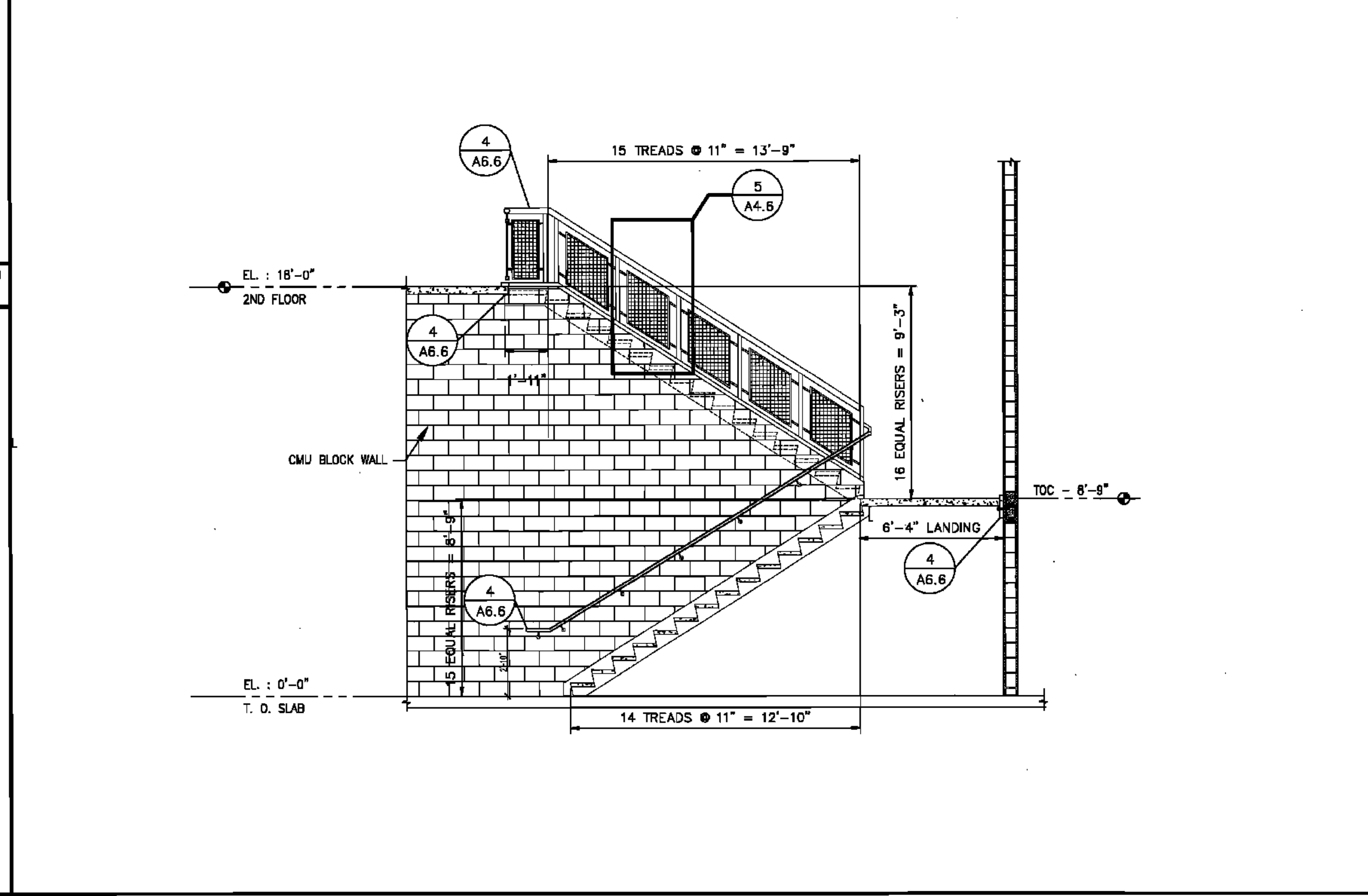
2 SECTION 1/4"=1'-0"



6 ENLARGED STAIR S-3 1/4"=1'-0"



6 ENLARGED STAIR S-3 1/4"=1'-0"



1 SECTION 1/4"=1'-0"

BYRON J. STEWART & ASSOC.  
ARCHITECTS & PLANNERS, APC  
2300 MARENGO STREET  
NEW ORLEANS, LOUISIANA 70115  
(504) 527-5339 (504) 527-5342 FAX

**PK**  
Architecture  
Engineering  
Planning  
Facility Consulting

**CARTER G. WOODSON SCHOOL**  
RECOVERY SCHOOL DISTRICT  
2514 THIRD STREET  
NEW ORLEANS, LOUISIANA

**FOR CONSTRUCTION**

JOB NUMBER: **BJB 128**

DATE: **04/28/10**

DRAWN BY: **L.G.M.H**

CHECKED BY: **L.R.P.S**

REVISIONS		
NO.	DATE	REVISION

SHEET TITLE:  
**ENLARGED STAIR & DETAILS**

SHEET:

**A-4.6**