

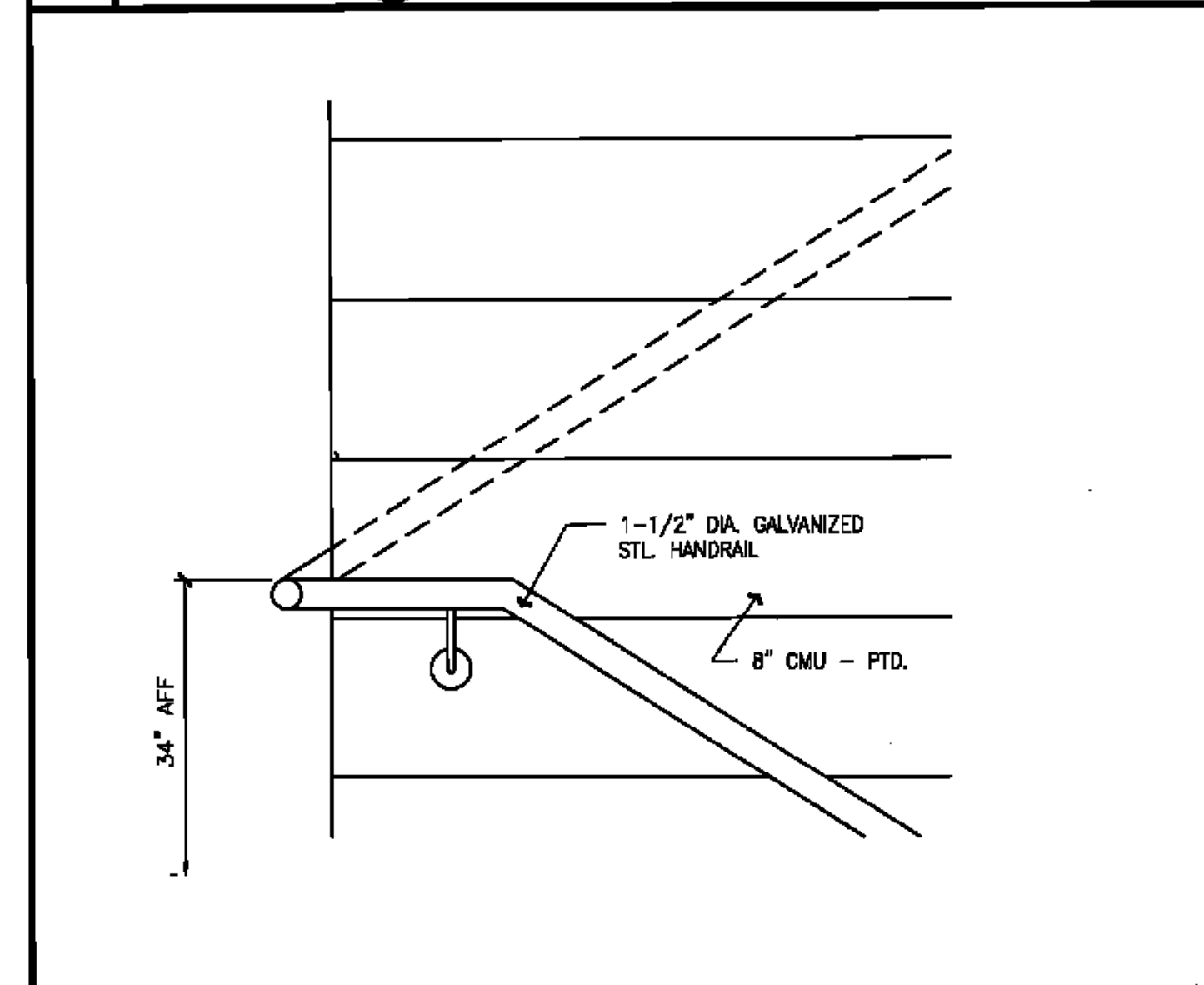
3 SECTION @ STAIR S-5

2 SECTION @ STAIR S-5

SCALE = 1/4" = 1'-0"

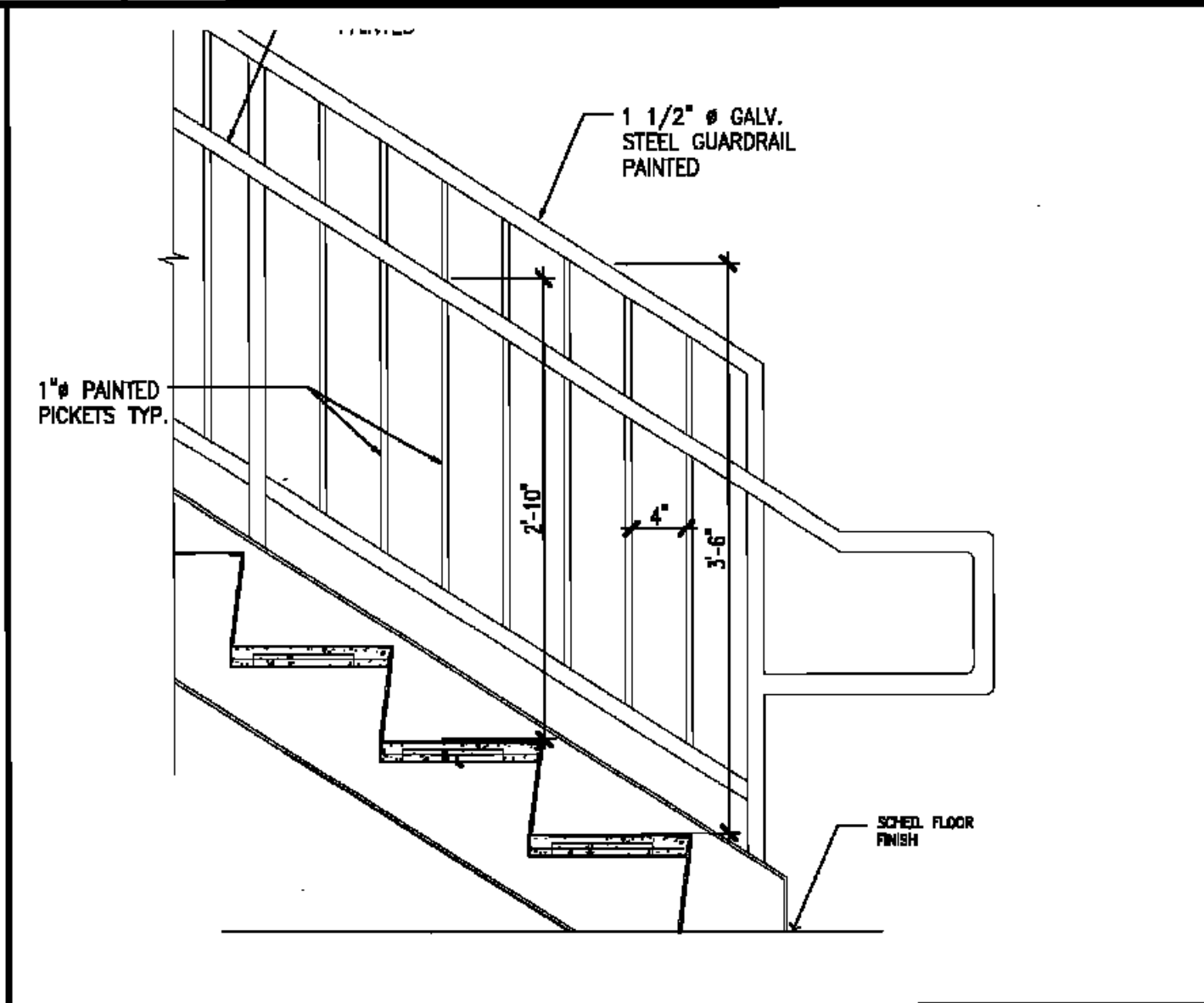
1 SECTION @ STAIR S-4

SCALE = 1/4" = 1'-0"



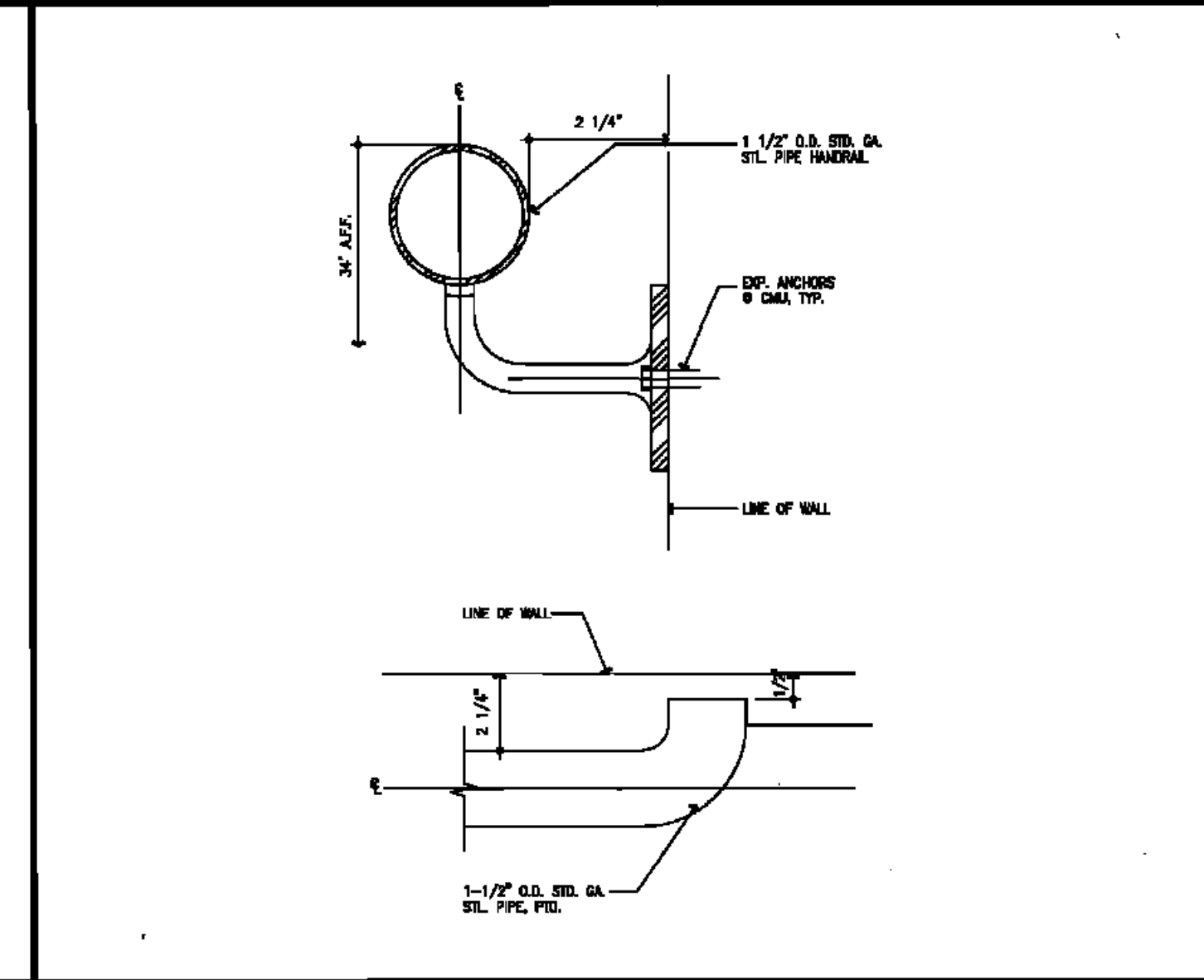
4 DETAIL

SCALE = 1 1/2" = 1'-0"



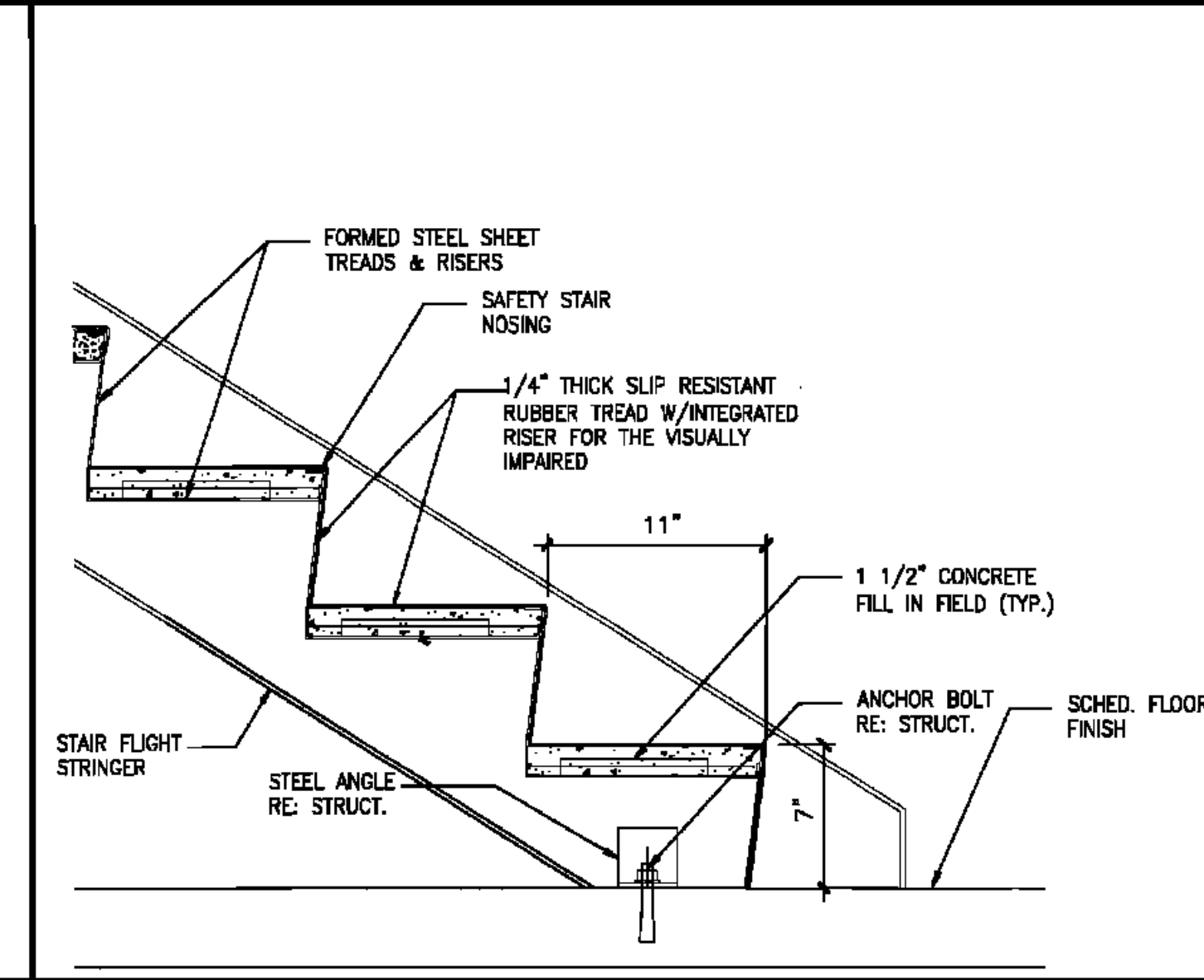
3 DETAIL

SCALE = 1" = 1'-0"



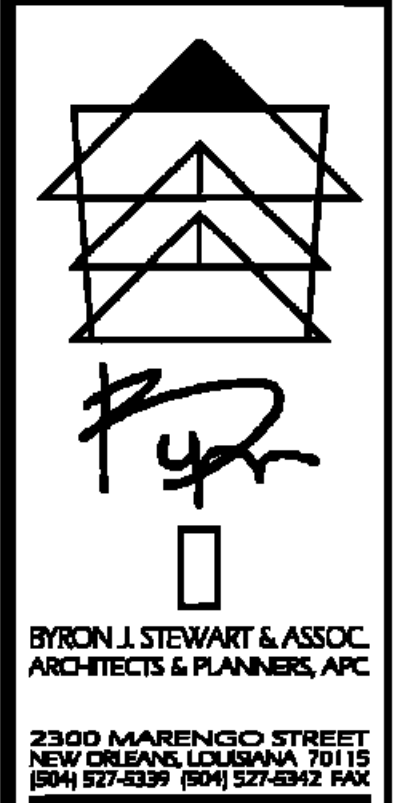
2 DETAIL

SCALE = N.T.S.



1 DETAIL

SCALE = 1 1/2" = 1'-0"



BYRON J. STEWART & ASSOC.
ARCHITECTS & PLANNERS, APC
2300 MARENGO STREET
NEW ORLEANS, LOUISIANA 70115
(504) 527-5339 (504) 527-5342 FAX



CARTER G. WOODSON SCHOOL
RECOVERY SCHOOL DISTRICT
2514 THIRD STREET
NEW ORLEANS, LOUISIANA

FOR CONSTRUCTION

JOB NUMBER: **BJS 128**

DATE: **04/20/10**

DRAWN BY: **LJ/LH**

CHECKED BY: **LJ/PB**

REVISIONS		
NO.	DATE	REVISION

SHEET TITLE: **STAIRS SECTIONS & DETAILS**

SHEET:

A-4.5