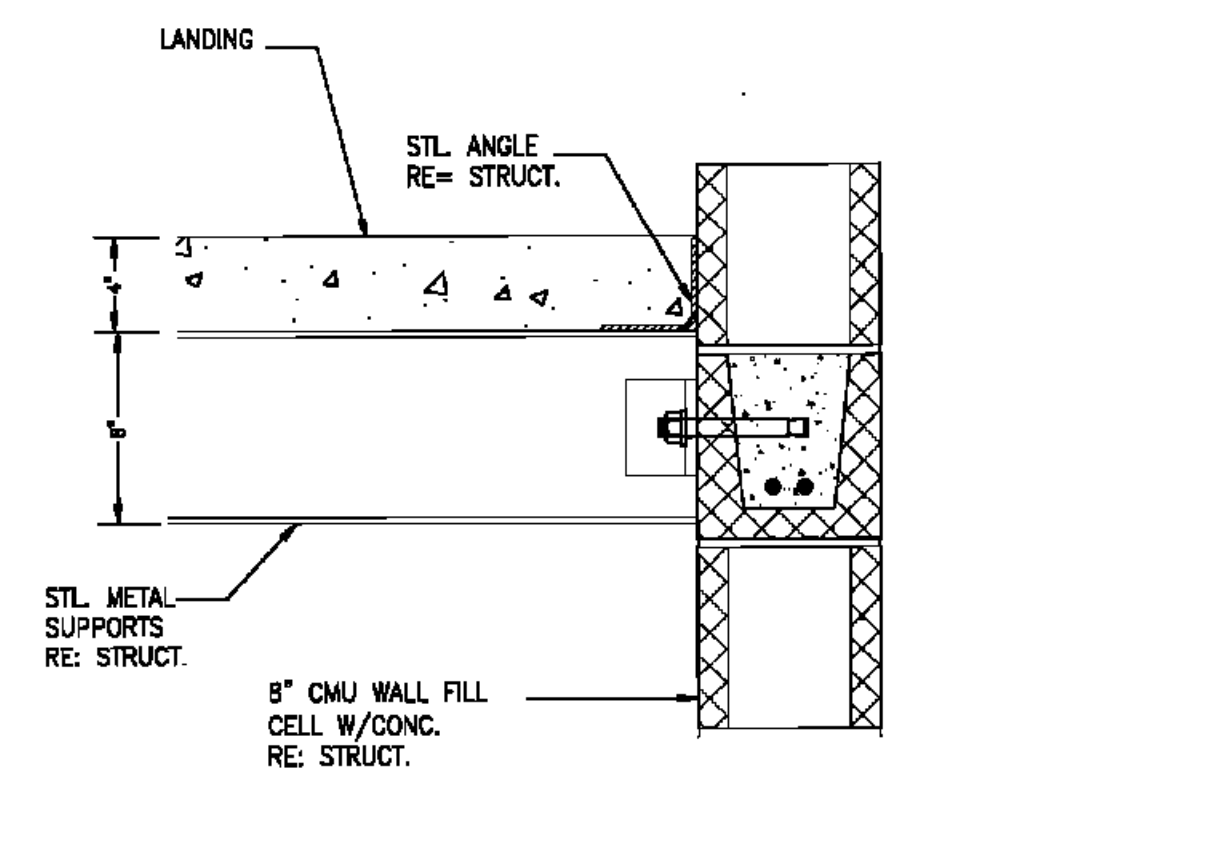
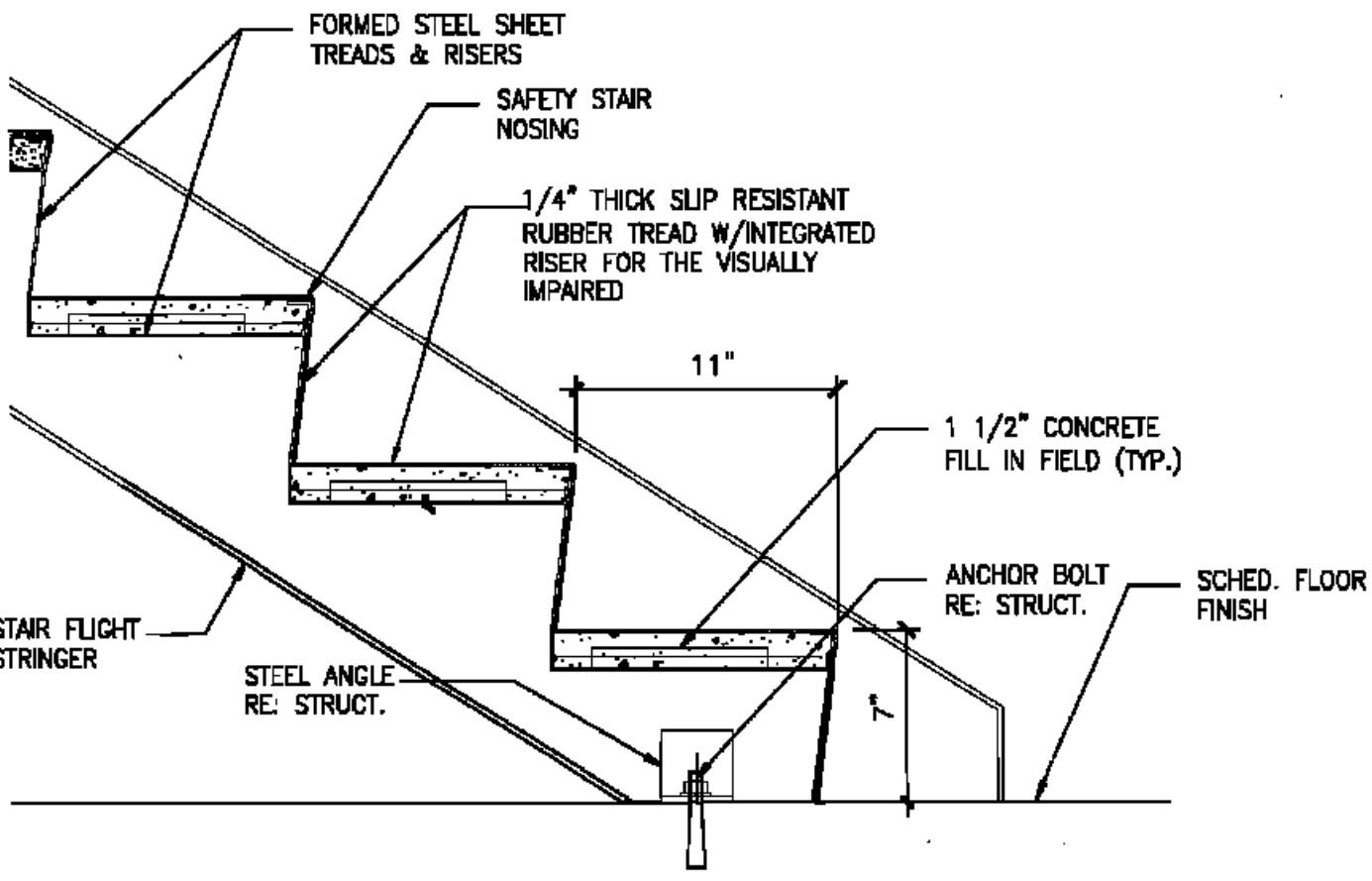


2 SECTION @ STAIR S-2

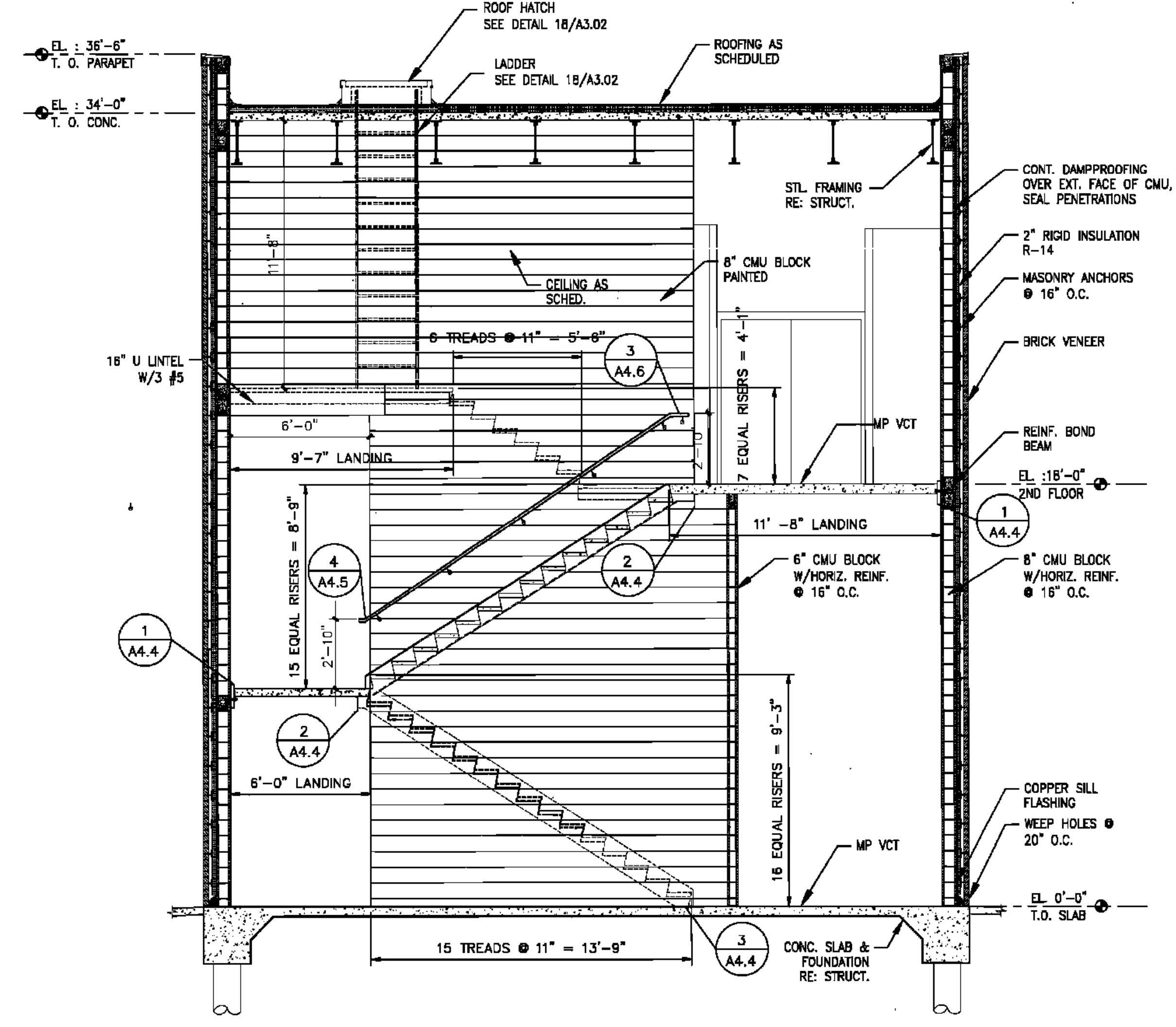
SCALE = 1/4"=1'-0"



4 DETAIL SCALE = 1 1/2"=1'-0"

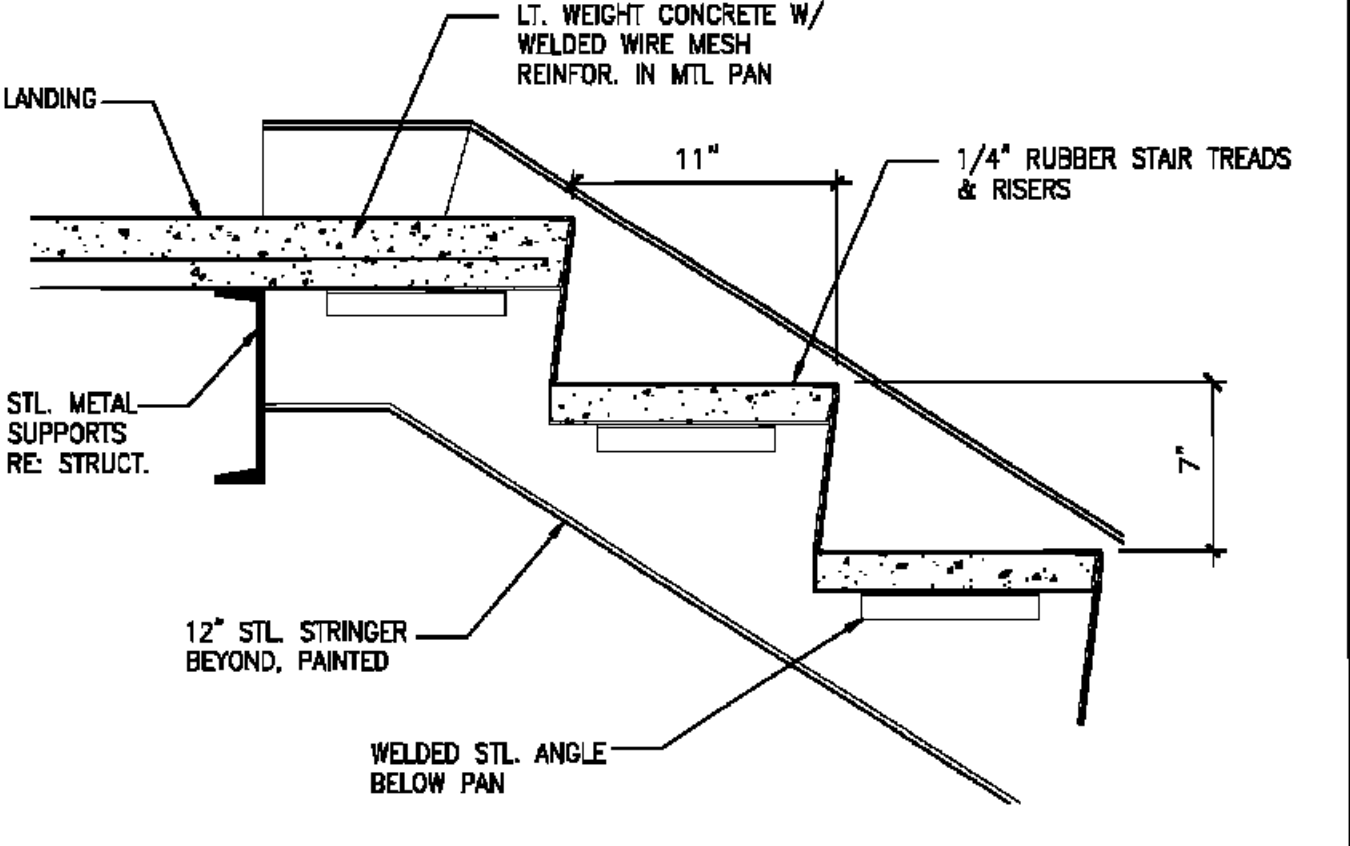


3 DETAIL SCALE = 1 1/2"=1'-0"

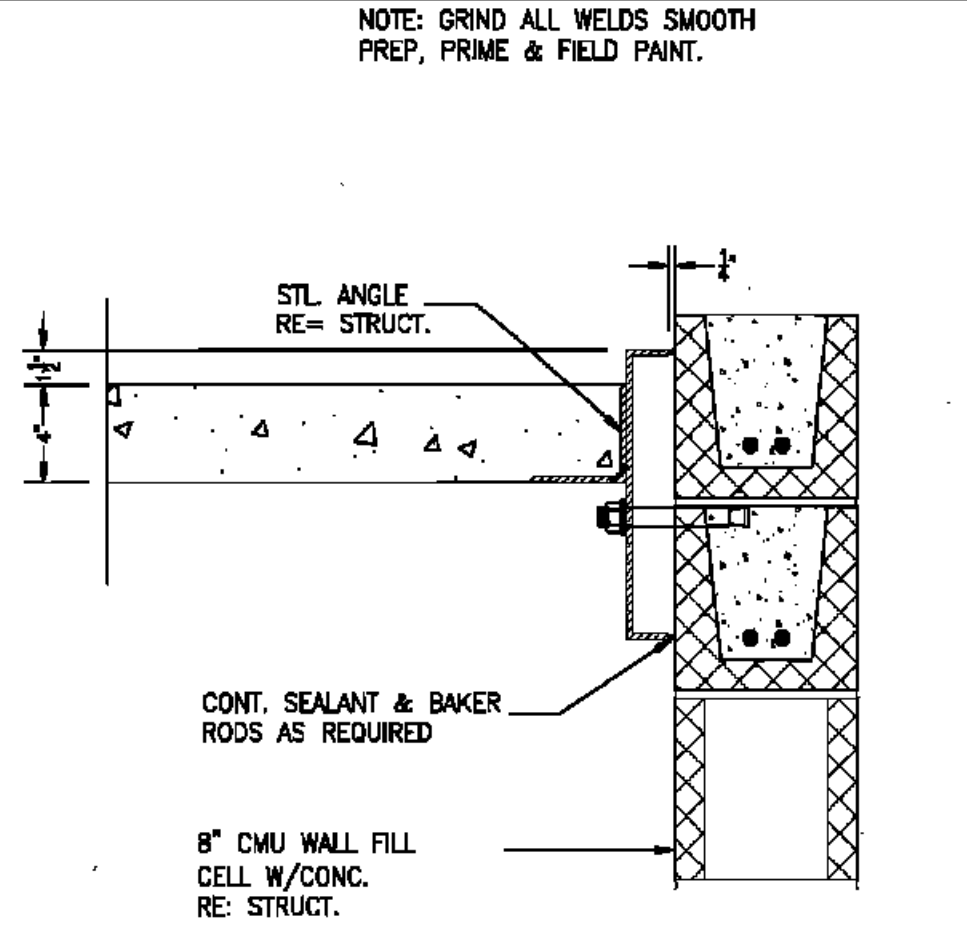


1 SECTION @ STAIR S-1

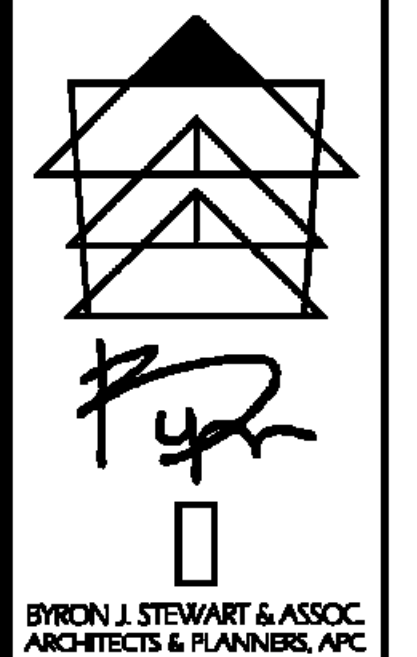
SCALE = 1/4"=1'-0"



2 DETAIL SCALE = 1 1/2"=1'-0"



1 DETAIL SCALE = 1 1/2"=1'-0"



BYRON J. STEWART & ASSOC.
ARCHITECTS & PLANNERS, APC
2300 MARENGO STREET
NEW ORLEANS, LOUISIANA, 70115
(504) 527-6339 (504) 527-5912 FAX



CARTER G. WOODSON SCHOOL
RECOVERY SCHOOL DISTRICT
2514 THIRD STREET
NEW ORLEANS, LOUISIANA

FOR CONSTRUCTION

JOB NUMBER: BJB 128

DATE: 04/20/10

DRAWN BY: L.B./MLH

CHECKED BY: L.R./PS

REVISIONS		
NO.	DATE	REVISION

SHEET TITLE: STAIRS SECTIONS

SHEET: A-4.4

A-4.4