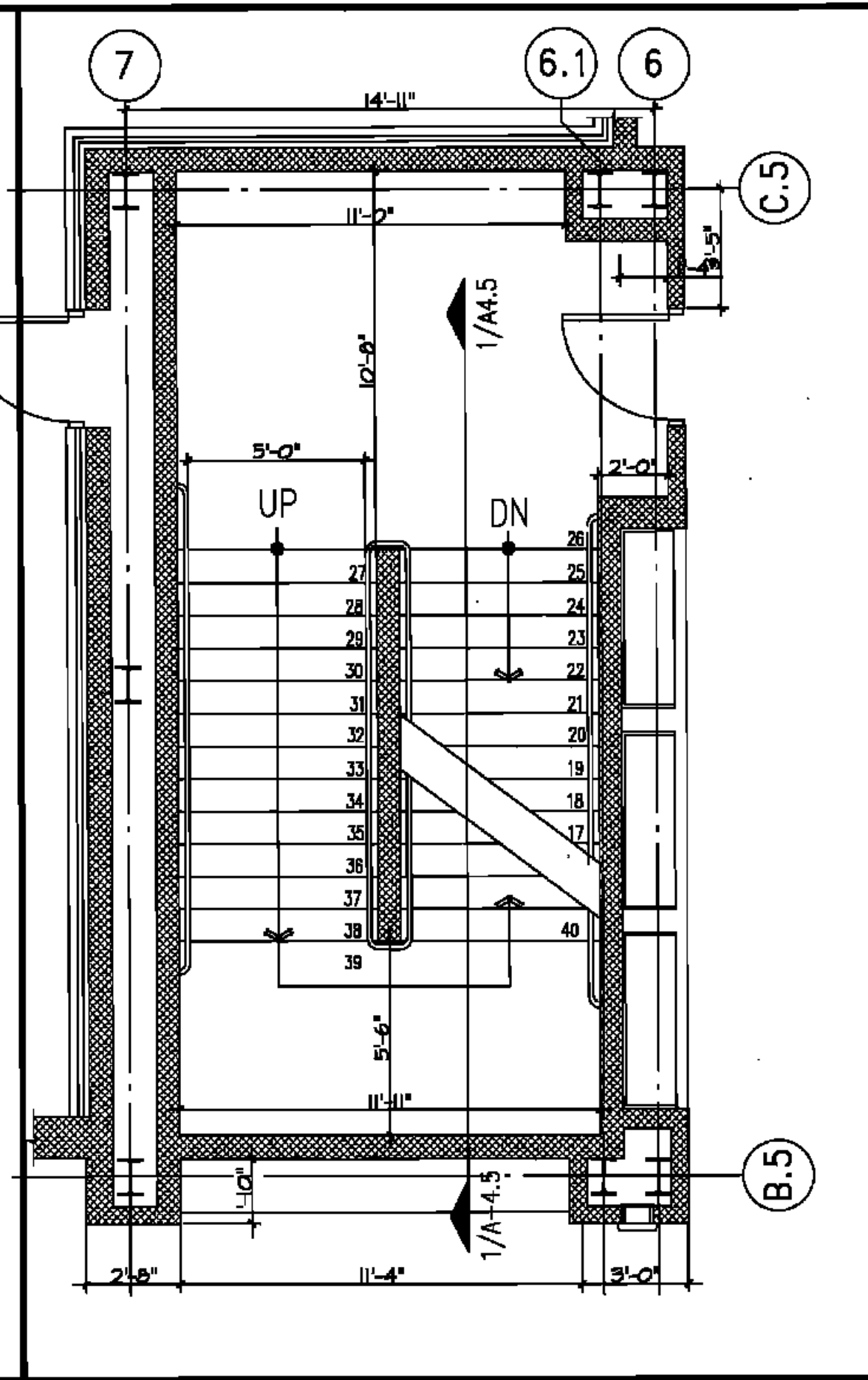
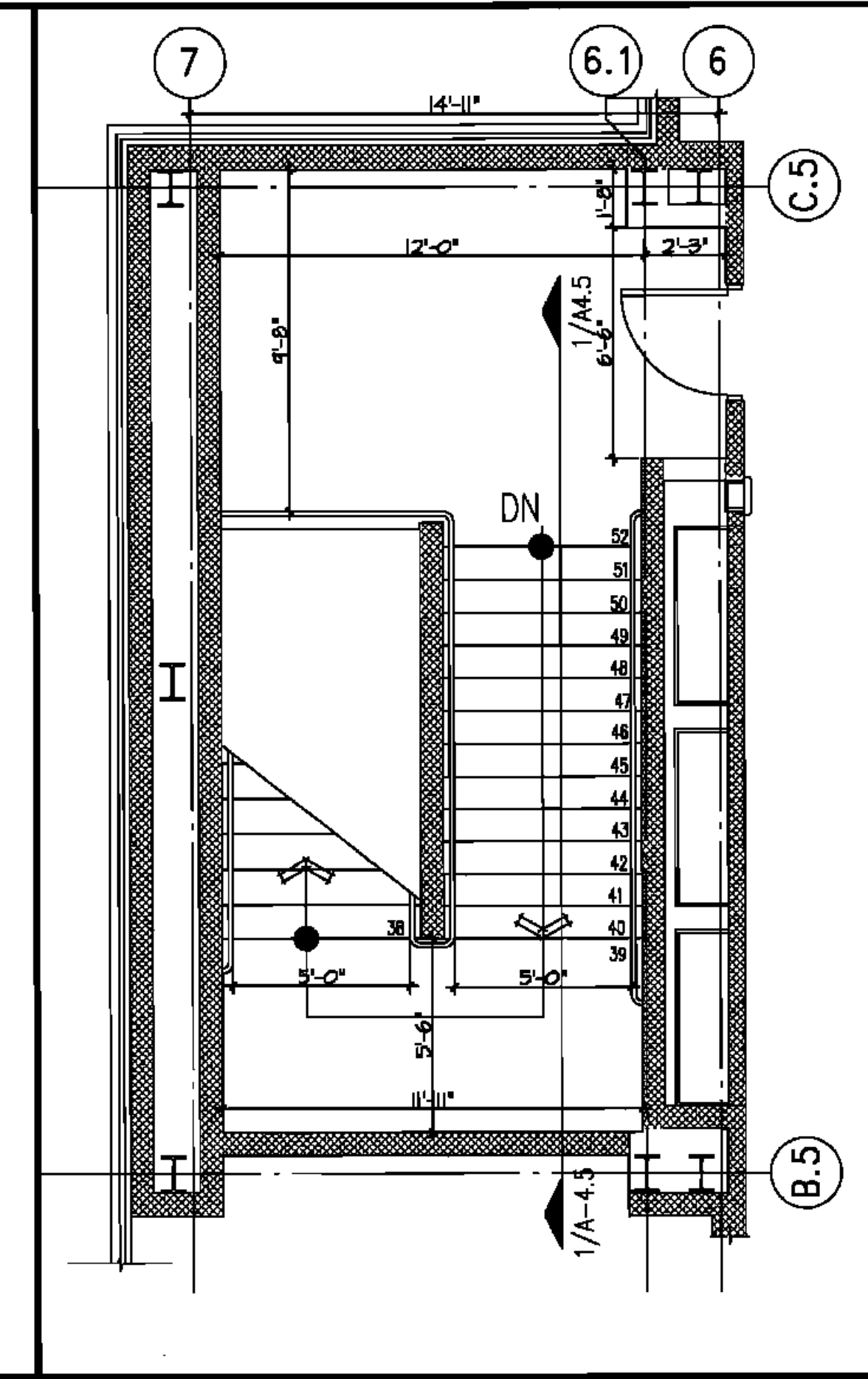


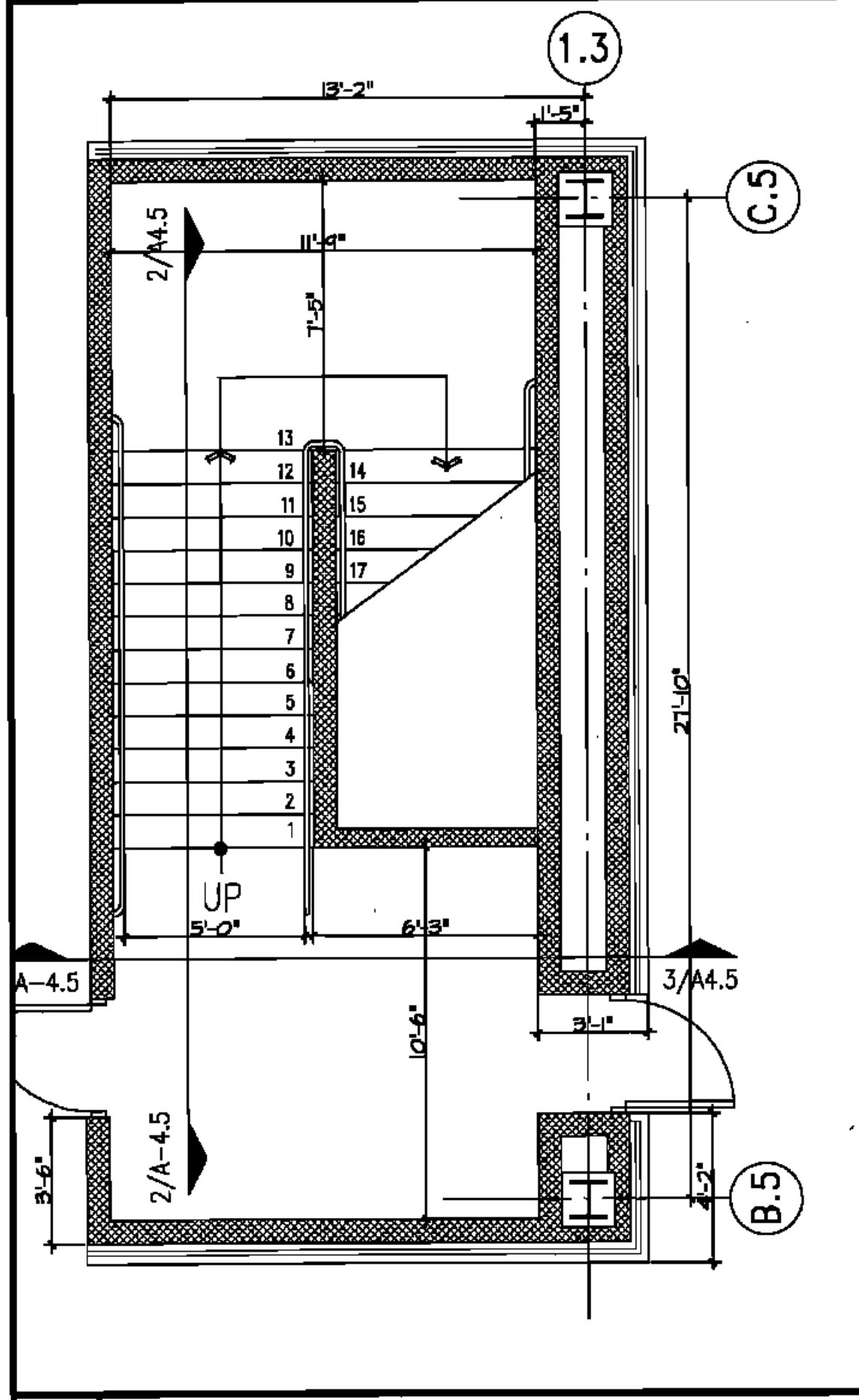
L9 ENLARGED STAIR S-4 PLAN A-2.2
1/4"=1'-0"



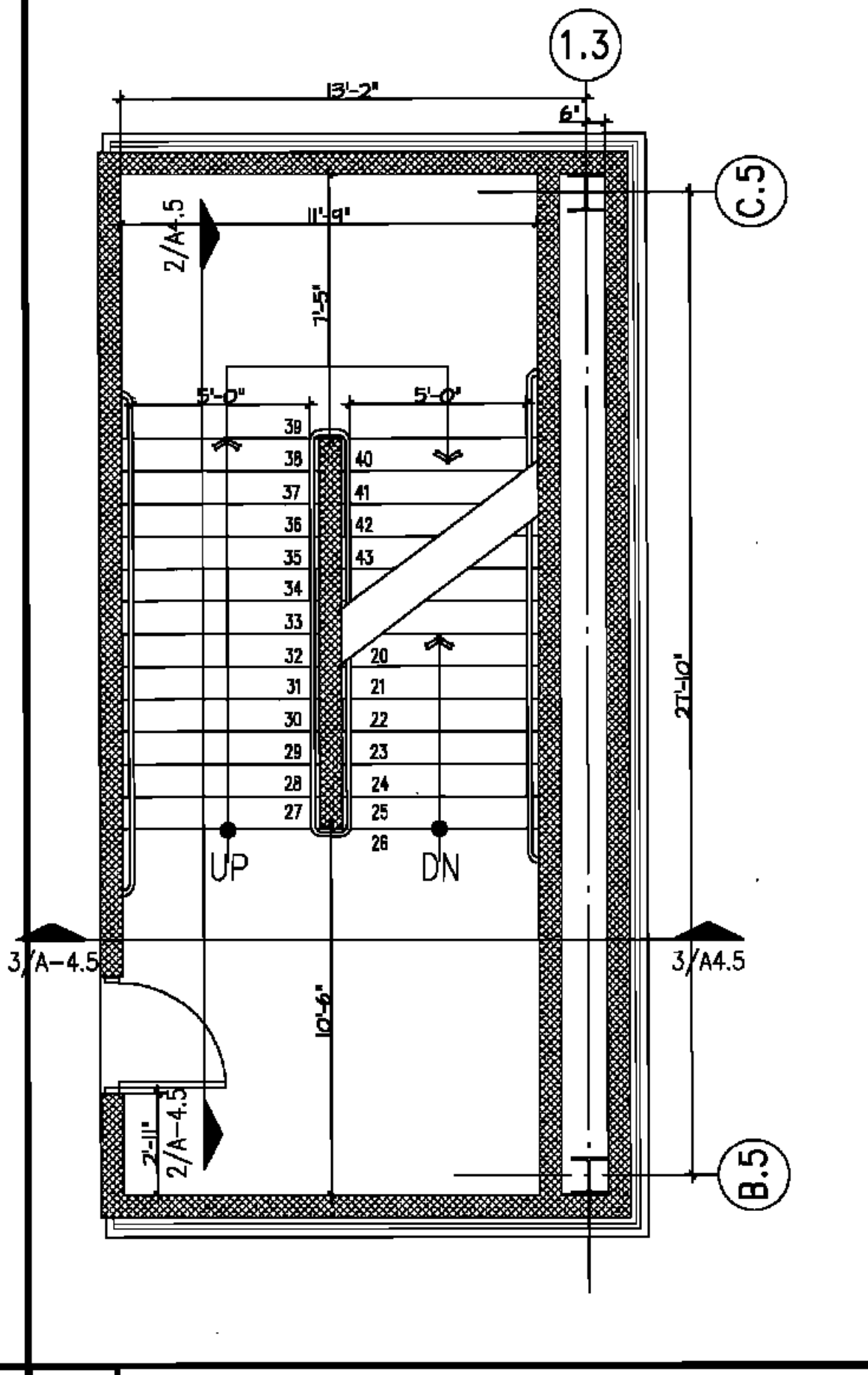
L10 ENLARGED STAIR S-4 PLAN A-2.6
1/4"=1'-0"



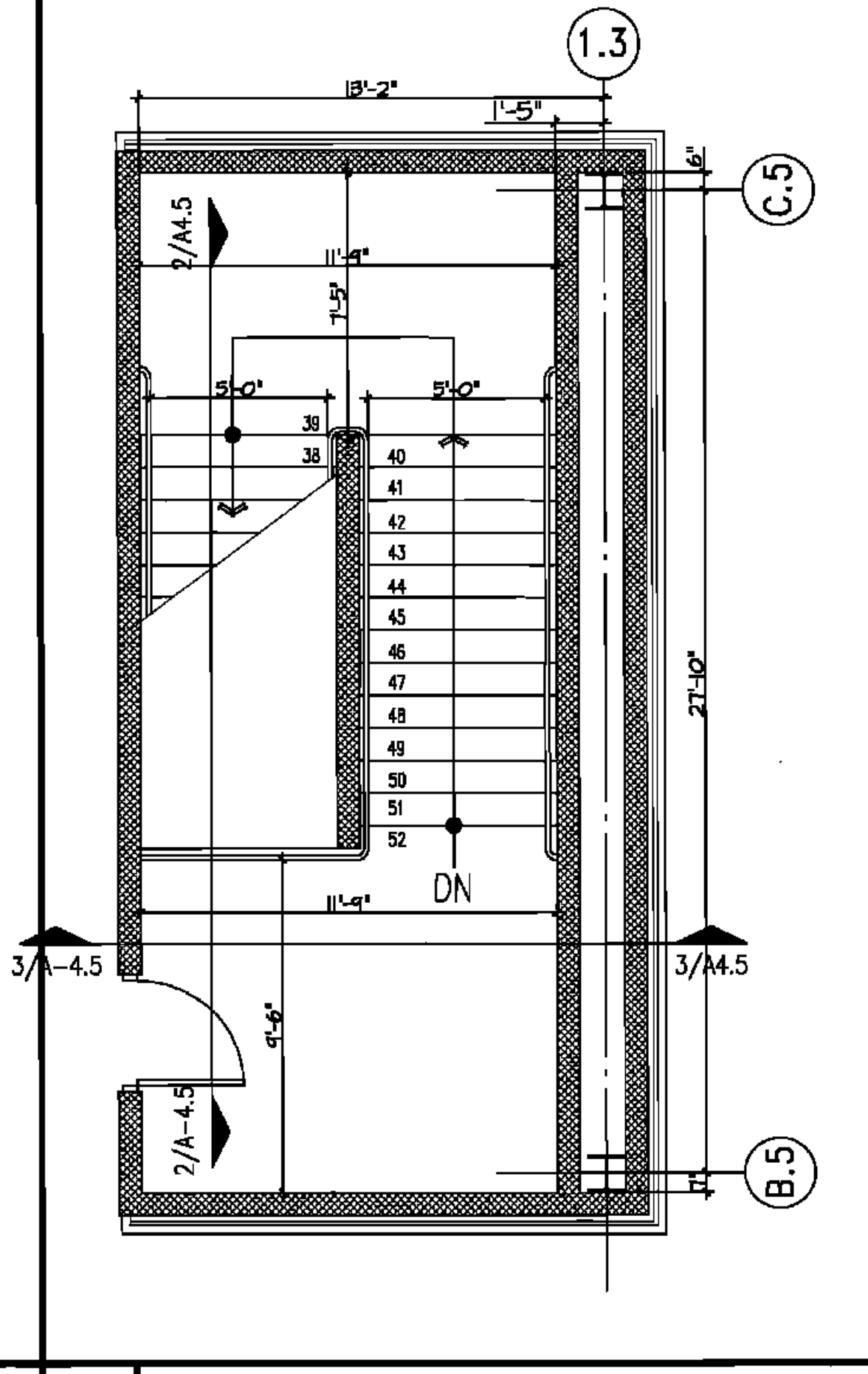
L11 ENLARGED STAIR S-4 PLAN A-2.9
1/4"=1'-0"



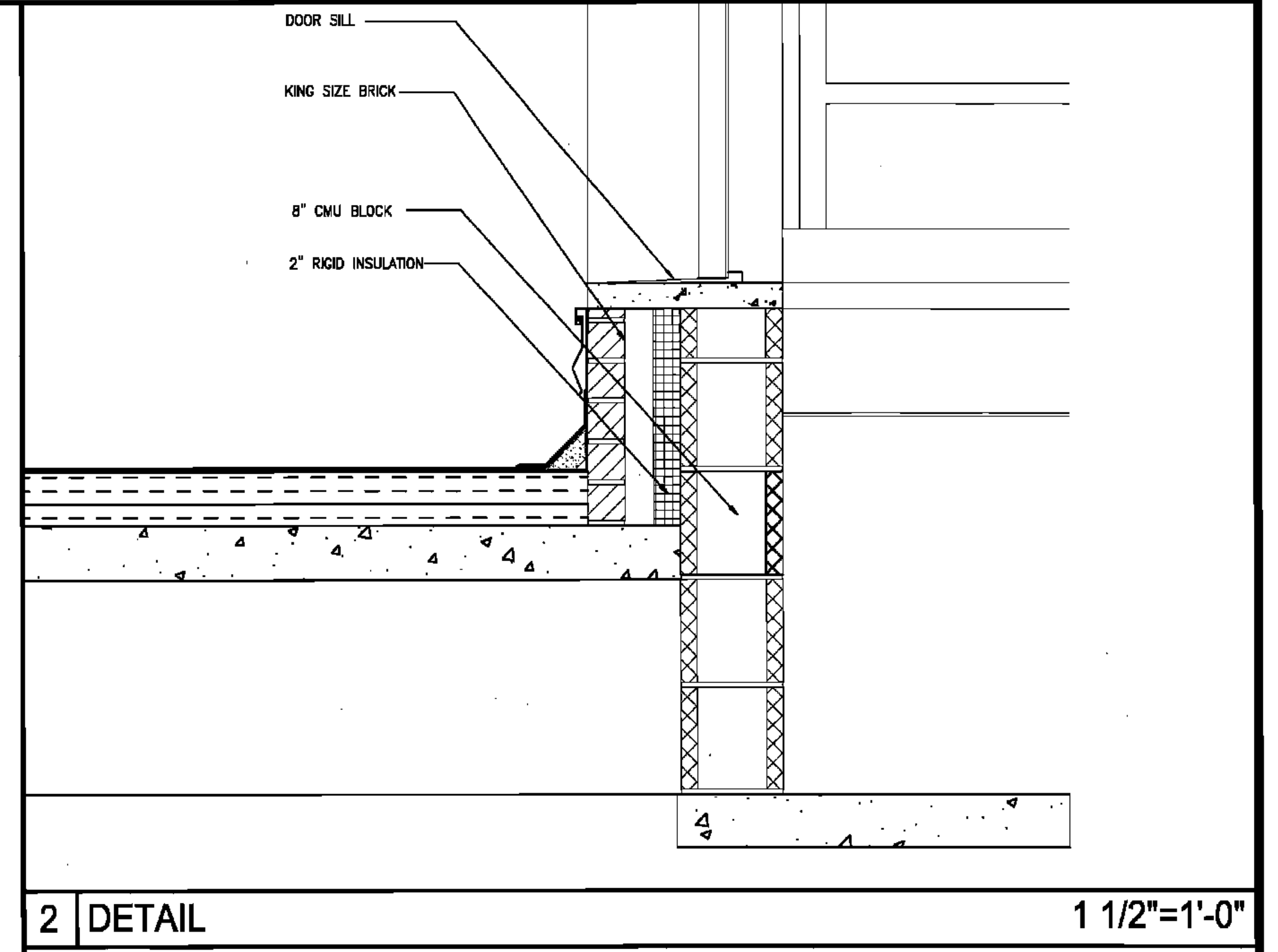
L12 ENLARGED STAIR S-5 PLAN A-2.3
1/4"=1'-0"



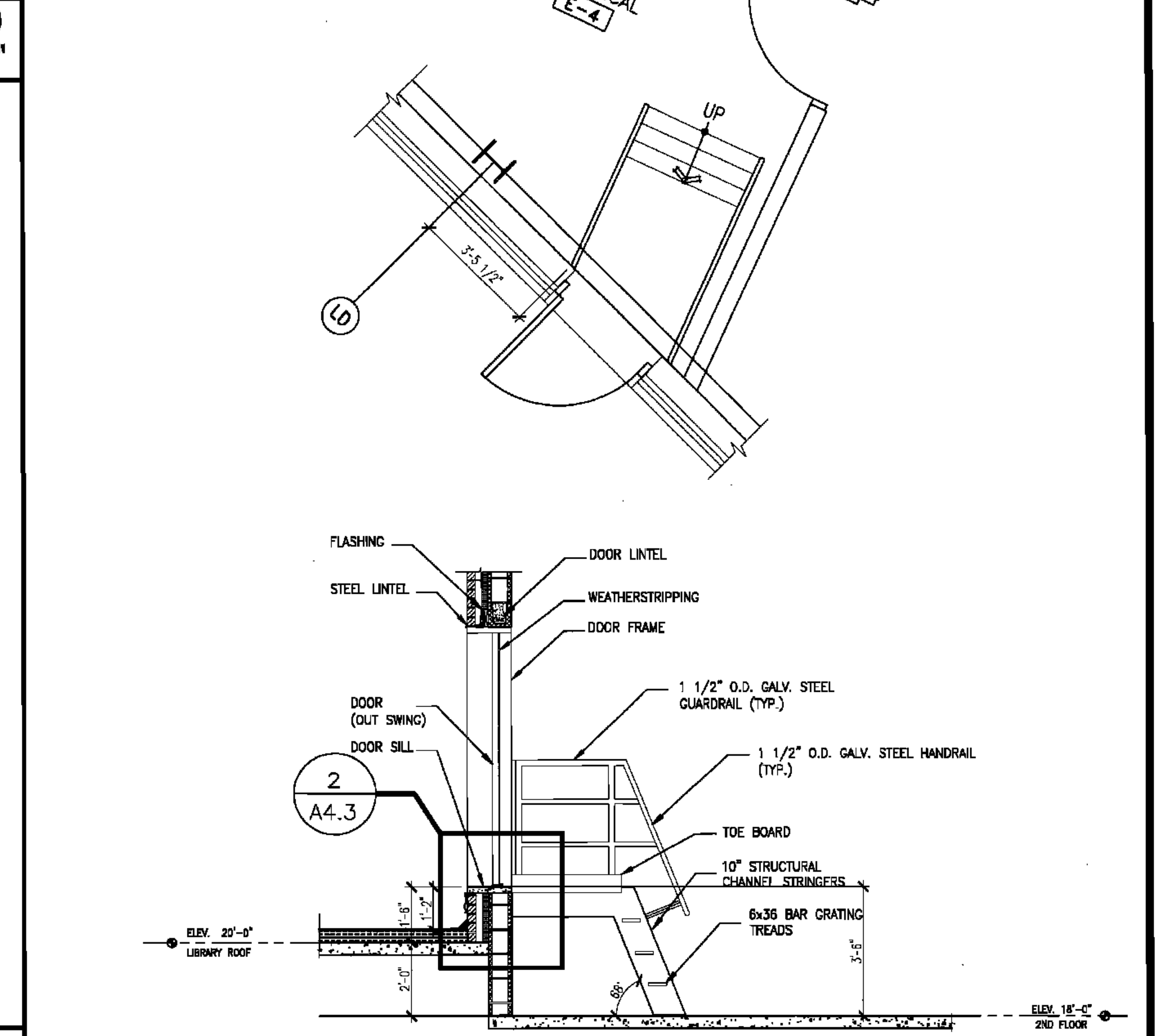
L13 ENLARGED STAIR S-5 PLAN A-2.6
1/4"=1'-0"



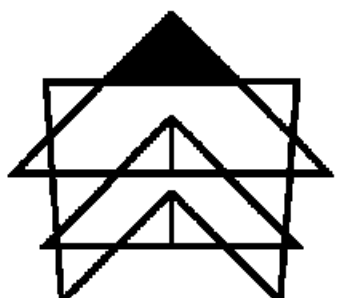
L14 ENLARGED STAIR S-5 PLAN A-2.9
1/4"=1'-0"



2 | DETAIL 1 1/2"=1'-0"




1 | SHIP LADDER @ ELECTRICAL ROOM E-4 SECTION 3/8"=1'-0"



BYRON J. STEWART & ASSOC.
ARCHITECTS & PLANNERS, APC

2300 MARENGO STREET
NEW ORLEANS, LOUISIANA 70115
(504) 527-5337 (504) 527-5342 FAX



PBK
Architecture
Engineering
Planning
Facility Consulting

CARTER G. WOODSON SCHOOL
RECOVERY SCHOOL DISTRICT
2514 THIRD STREET
NEW ORLEANS, LOUISIANA

FOR CONSTRUCTION
JOB NUMBER: **BLJ 128**
DATE: **04/28/10**
DRAWN BY: **LQJ/M.H**
CHECKED BY: **L.N.P/S**

REVISIONS		
NO.	DATE	REVISION

SHEET TITLE: **ENLARGED STAIRS & DETAILS**
SHEET: **A-4.3**
52 OF 223 SHEETS