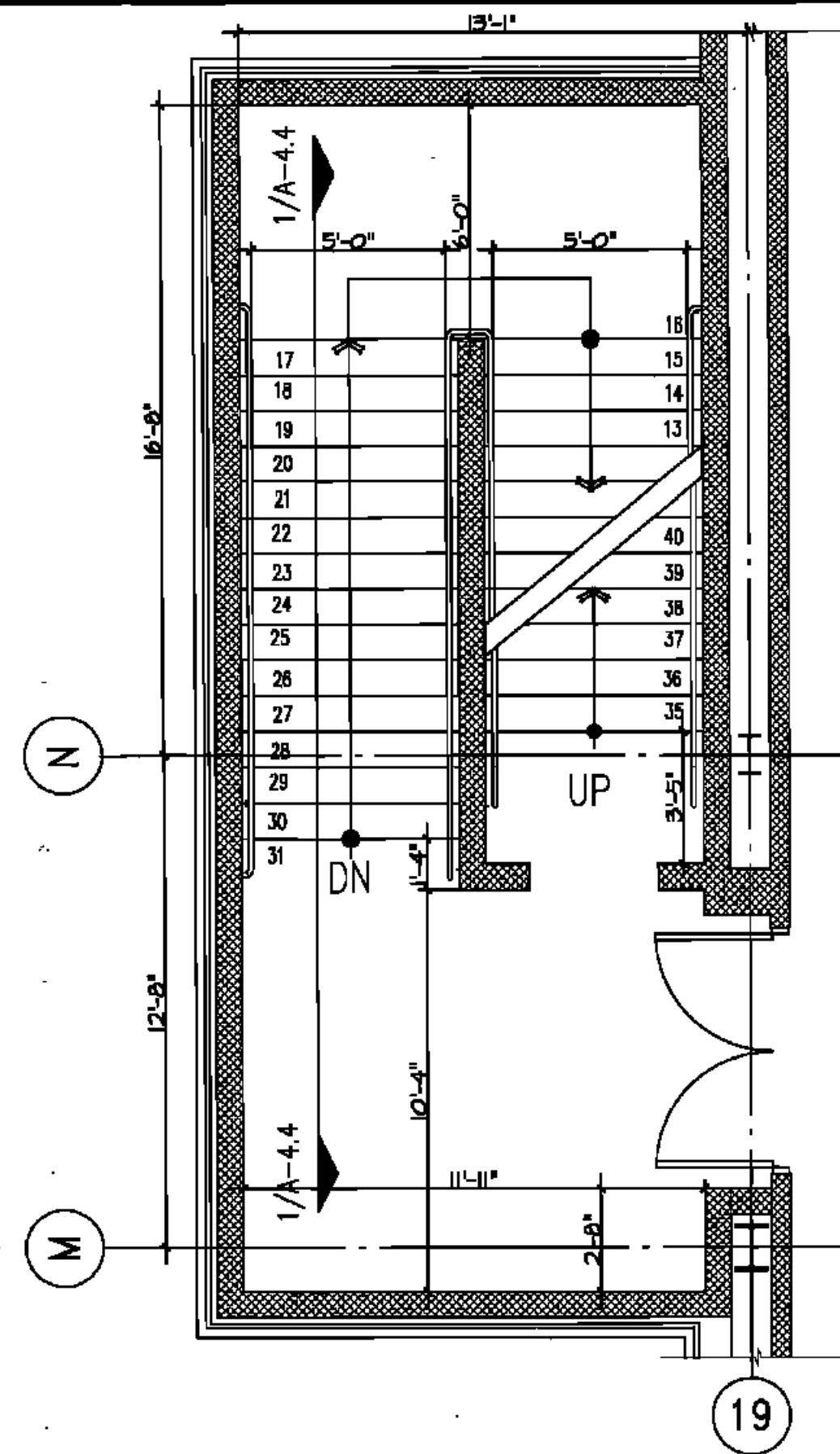
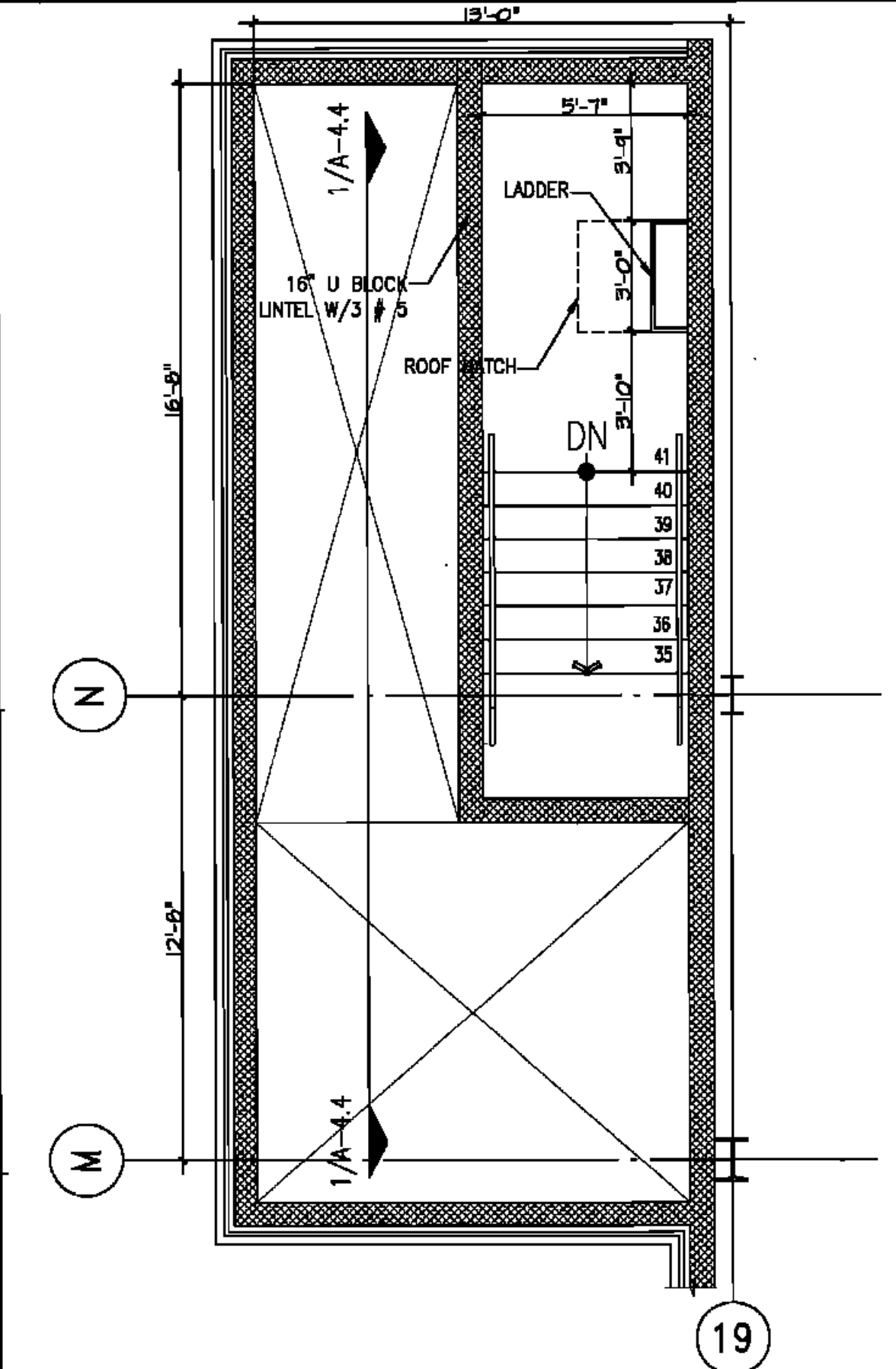


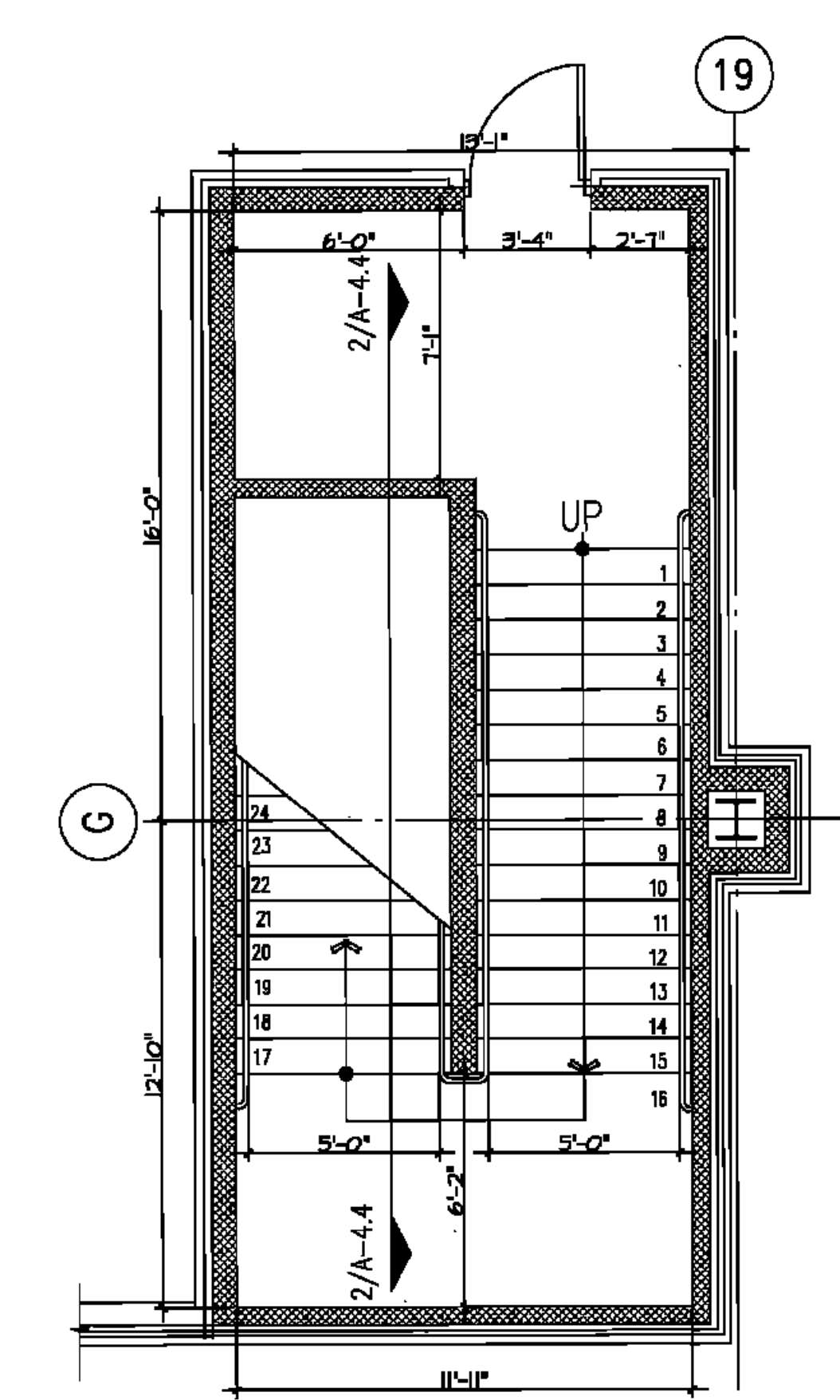
L1 ENLARGED STAIR S-1 PLAN A2.1
1/4"=1'-0"



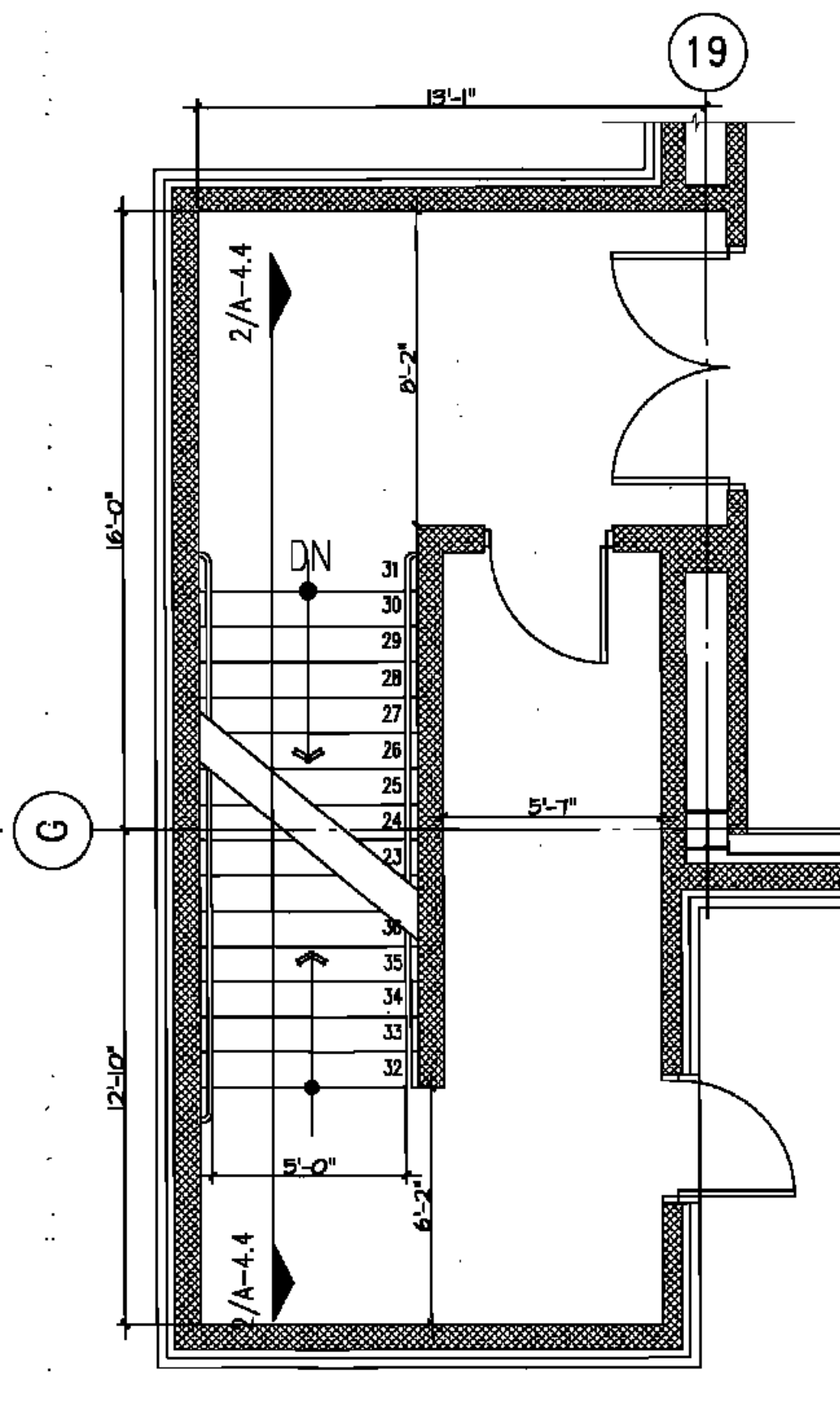
L2 ENLARGED STAIR S-1 PLAN A2.4
1/4"=1'-0"



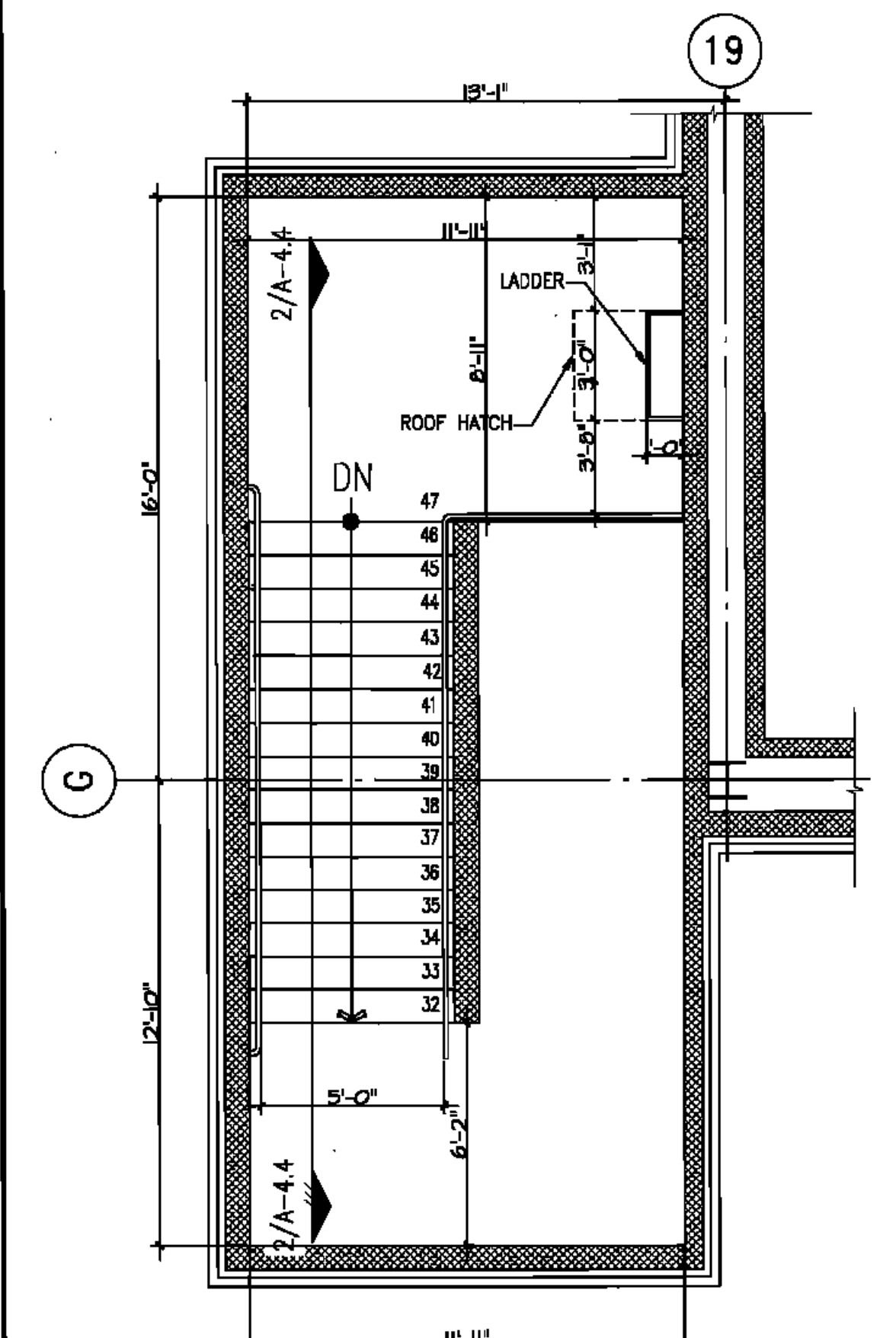
L3 ENLARGED STAIR S-1 ROOF ACCESS
1/4"=1'-0"



L8 ENLARGED STAIR S-2 PLAN A-2.4
1/4"=1'-0"



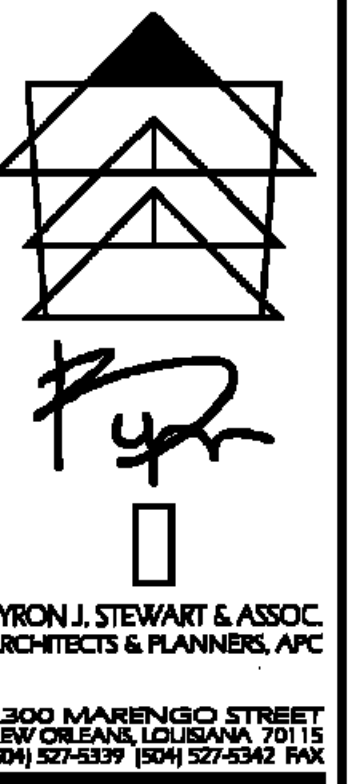
L7 ENLARGED STAIR S-2 PLAN A-2.1
1/4"=1'-0"



L8 ENLARGED STAIR S-2 ROOF ACCESS
1/4"=1'-0"

1. Stair riser heights shall be 7" maximum and 4" minimum.
2. Stair treads depths shall be 11" minimum.
3. Stairs treads and risers shall be of uniform size and shape. The tolerance between the largest and smallest riser height or the largest and smallest tread depth shall not exceed 0.375 inch in any flight of stairs.
4. Guards shall conform a protective barrier no less than 42 inches high, measured vertically above the leading edge of the tread, adjacent walking surface.
5. Open guards shall have balusters or ornamental patterns such that a 4 inches diameter sphere cannot pass through any opening up to a height of 34 inches. From a height of 34 inches to 42 inches above the adjacent walking surfaces a sphere of 8 inches in diameter shall not pass.
6. The triangular openings formed by the riser, tread and bottom rail at the open side of stairway shall be of a maximum size such that sphere of 6 inches in diameter cannot pass through the opening.
7. In areas that are not open to the public, balusters, horizontal intermediate rails or other construction shall not permit a sphere with a diameter of 21 inches to pass through any opening
8. Guardrails and Handrails shall be designed to withstand a 200 lb concentrated load applied in any direction and at any point on the top rail.
9. Clear space between a handrail and a wall or other surface shall be a minimum of 2.25 inch.
10. Where the roof hatch opening providing the required access is located within 10 feet of the roof edge, such roof access or roof edge shall be protected by guards. The guard shall be constructed so as to prevent the passage of 21 inch diameter sphere.
11. There shall be no enclosed usable space under exterior exit stairways unless the space is completely enclosed in 1 hour fire-resistance rated construction. The open space under exterior stairways shall not be used for any purpose.

STAIRWAYS GENERAL NOTES



CARTER G. WOODSON SCHOOL
RECOVERY SCHOOL DISTRICT
2514 THIRD STREET
NEW ORLEANS, LOUISIANA

FOR CONSTRUCTION

JOB NUMBER: ELS 128

DATE: 04/28/16

DRAWN BY: LQMLH

CHECKED BY: L.R.P.S.

REVISIONS		
NO.	DATE	REVISION

SHEET TITLE:
ENLARGED STAIRS

SHEET:

A-4.2