

BYRON J. STEWART & ASSOC.
ARCHITECTS & PLANNERS, APC
2300 MARENGO STREET
NEW ORLEANS, LOUISIANA 70115
(504) 527-5337 (504) 527-5342 FAX

PRK
Architecture
Engineering
Planning
Facility Consulting

CARTER G. WOODSON SCHOOL
RECOVERY SCHOOL DISTRICT
2514 THIRD STREET
NEW ORLEANS, LOUISIANA

FOR CONSTRUCTION

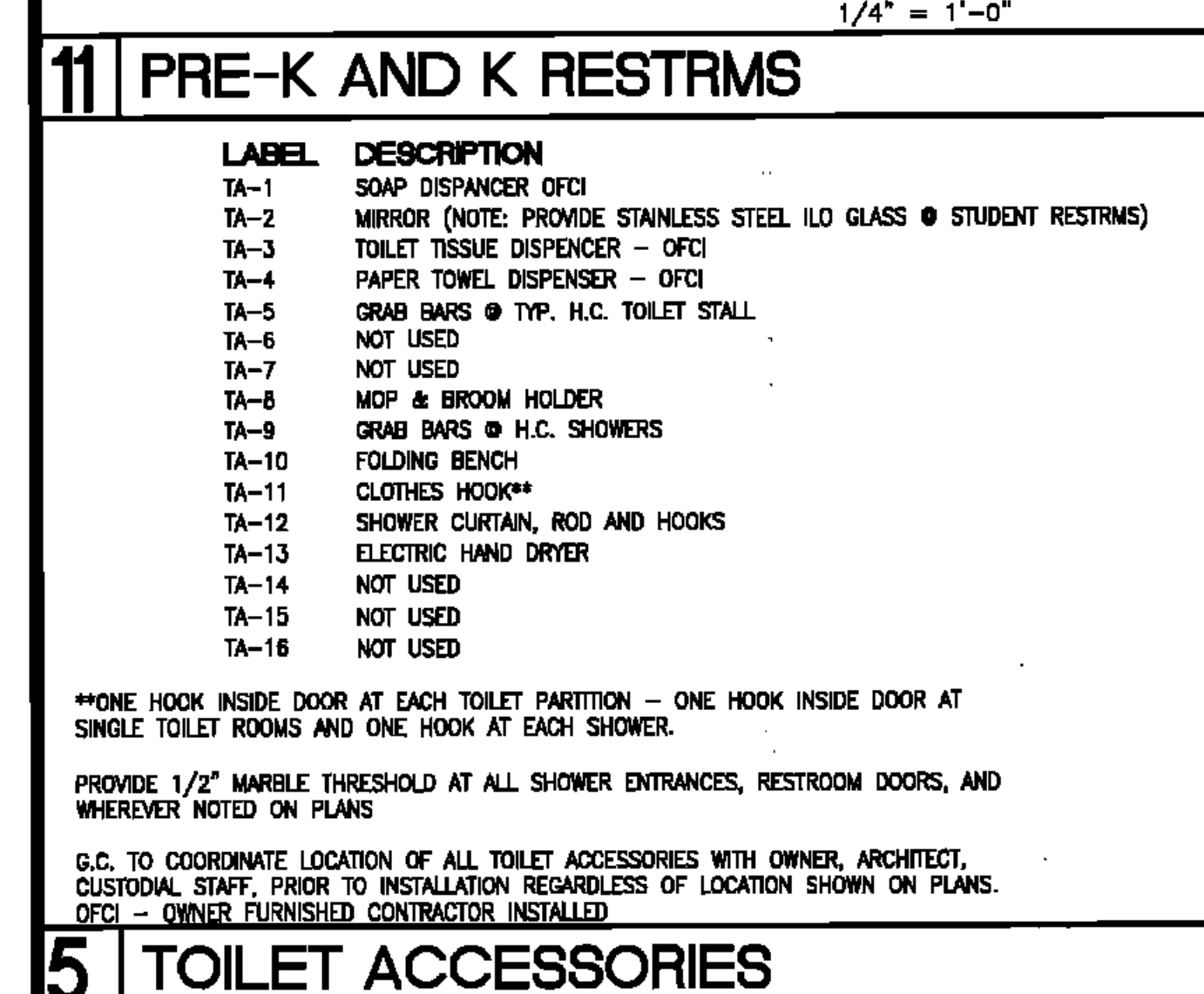
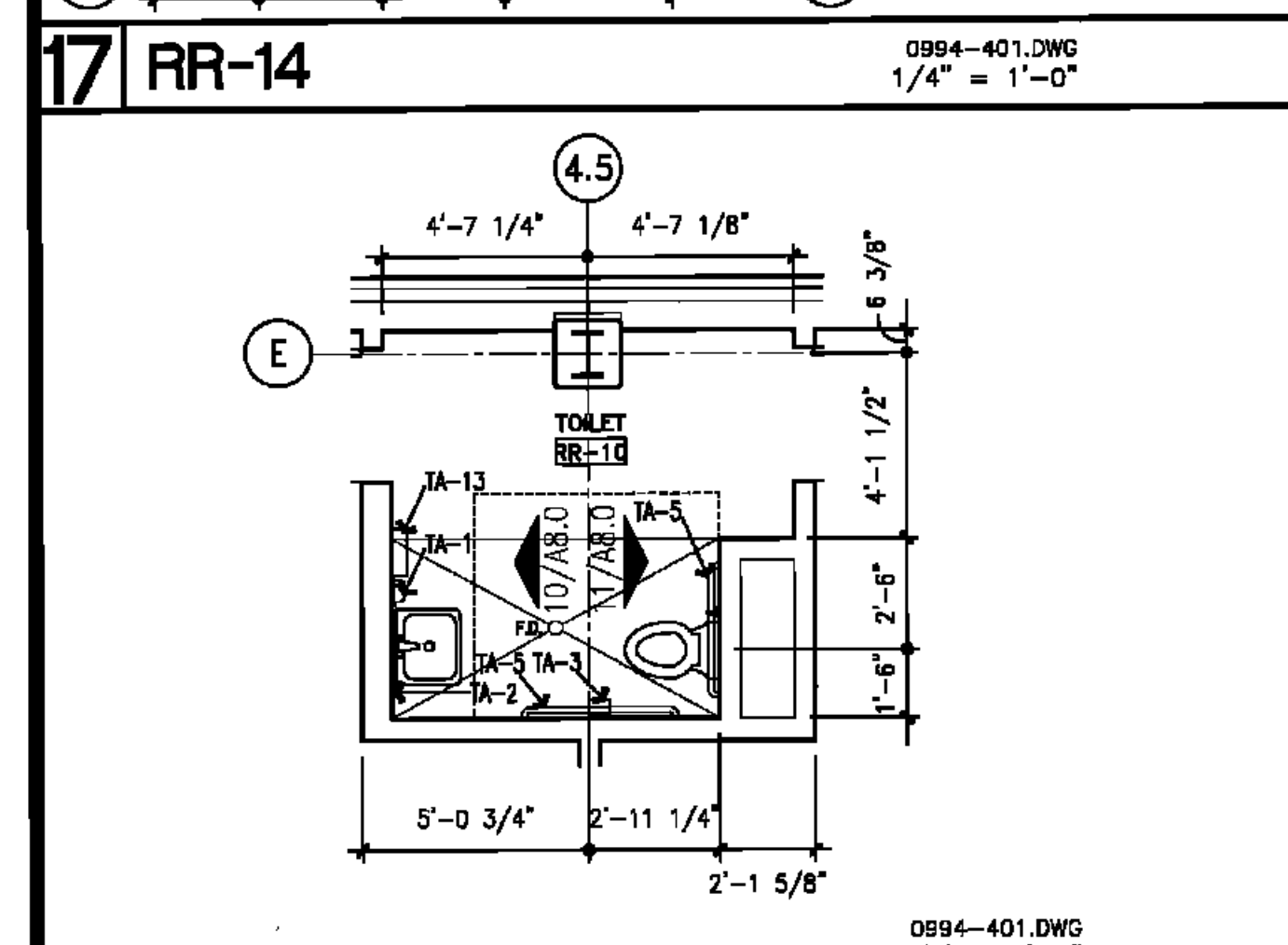
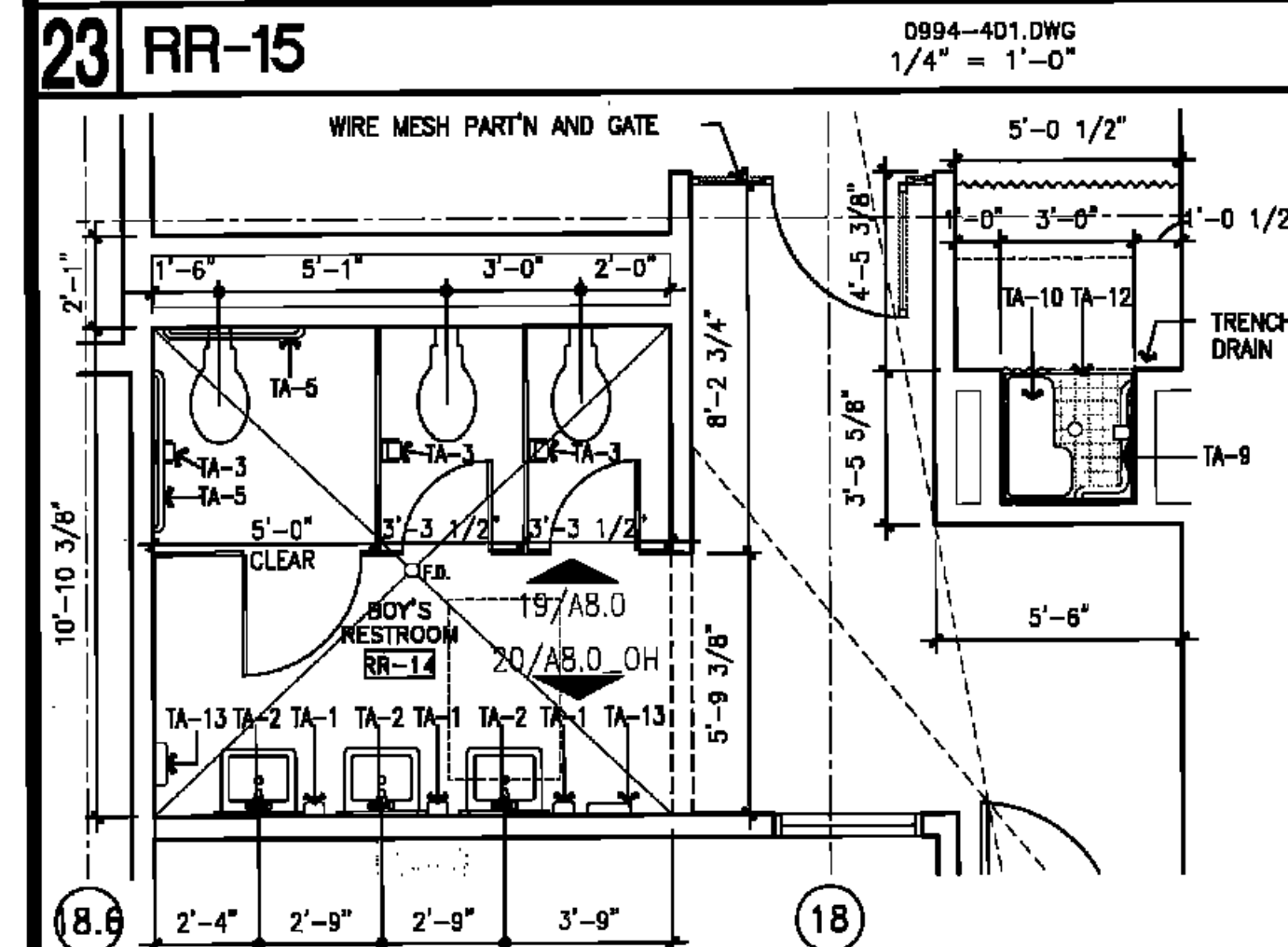
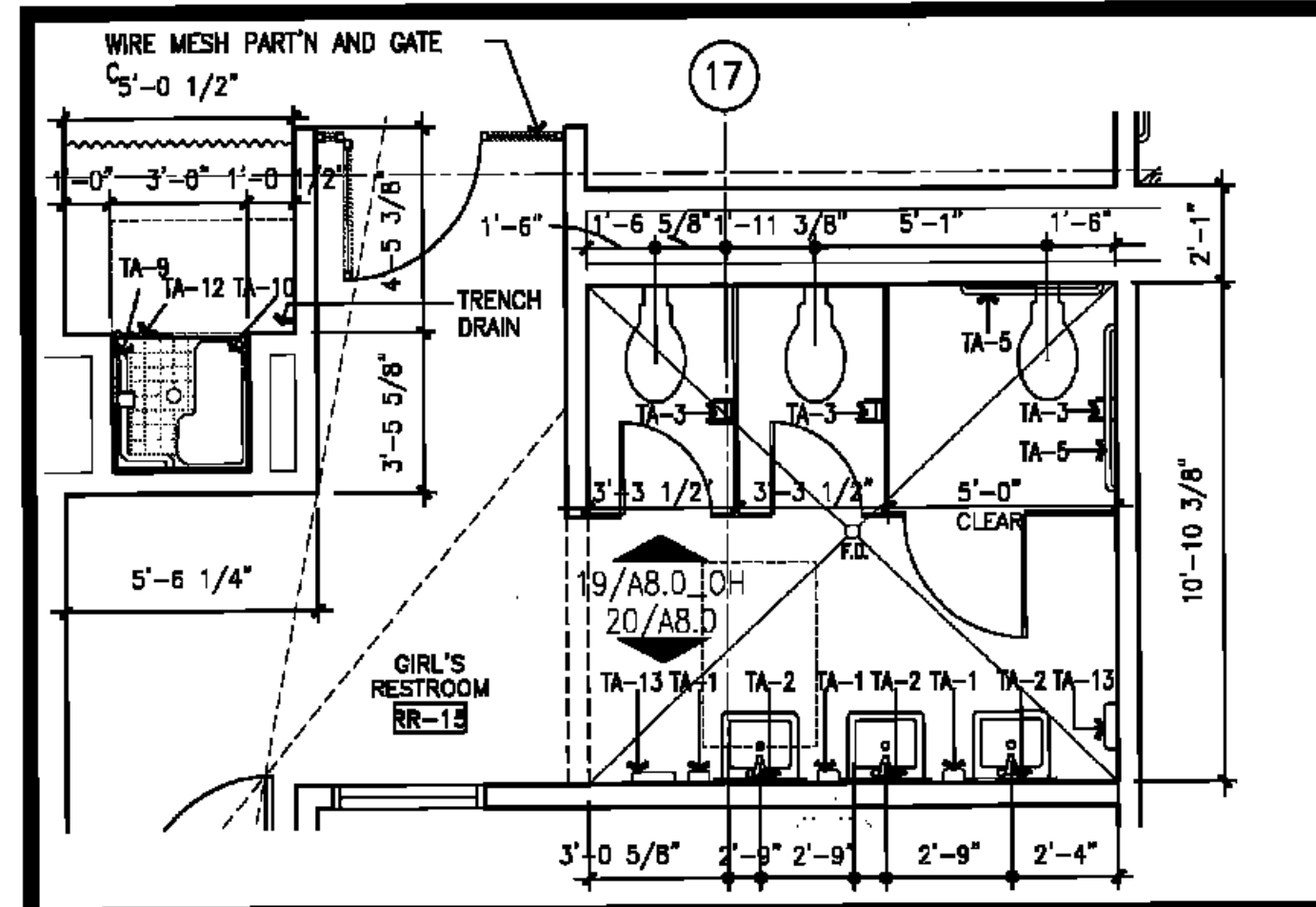
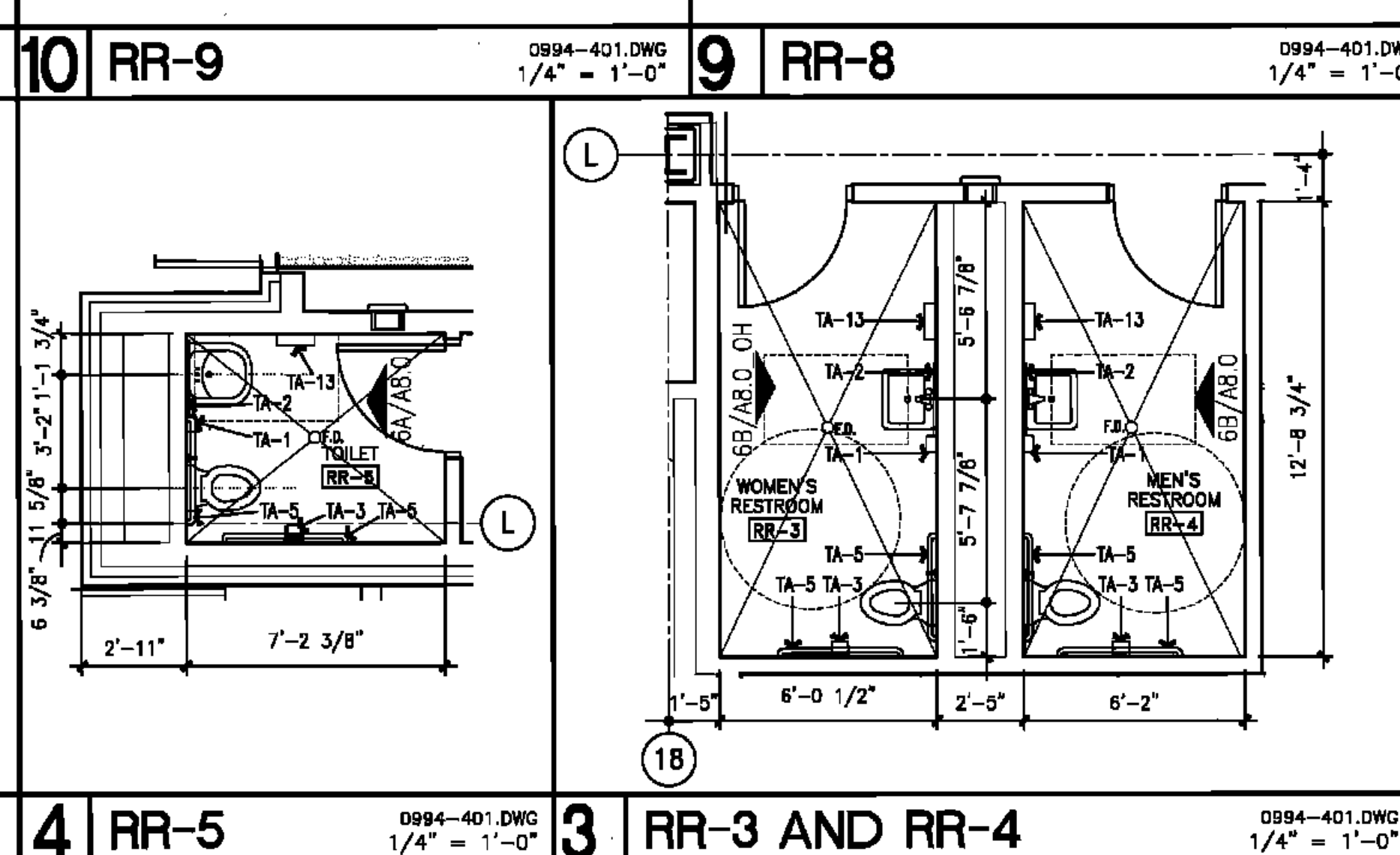
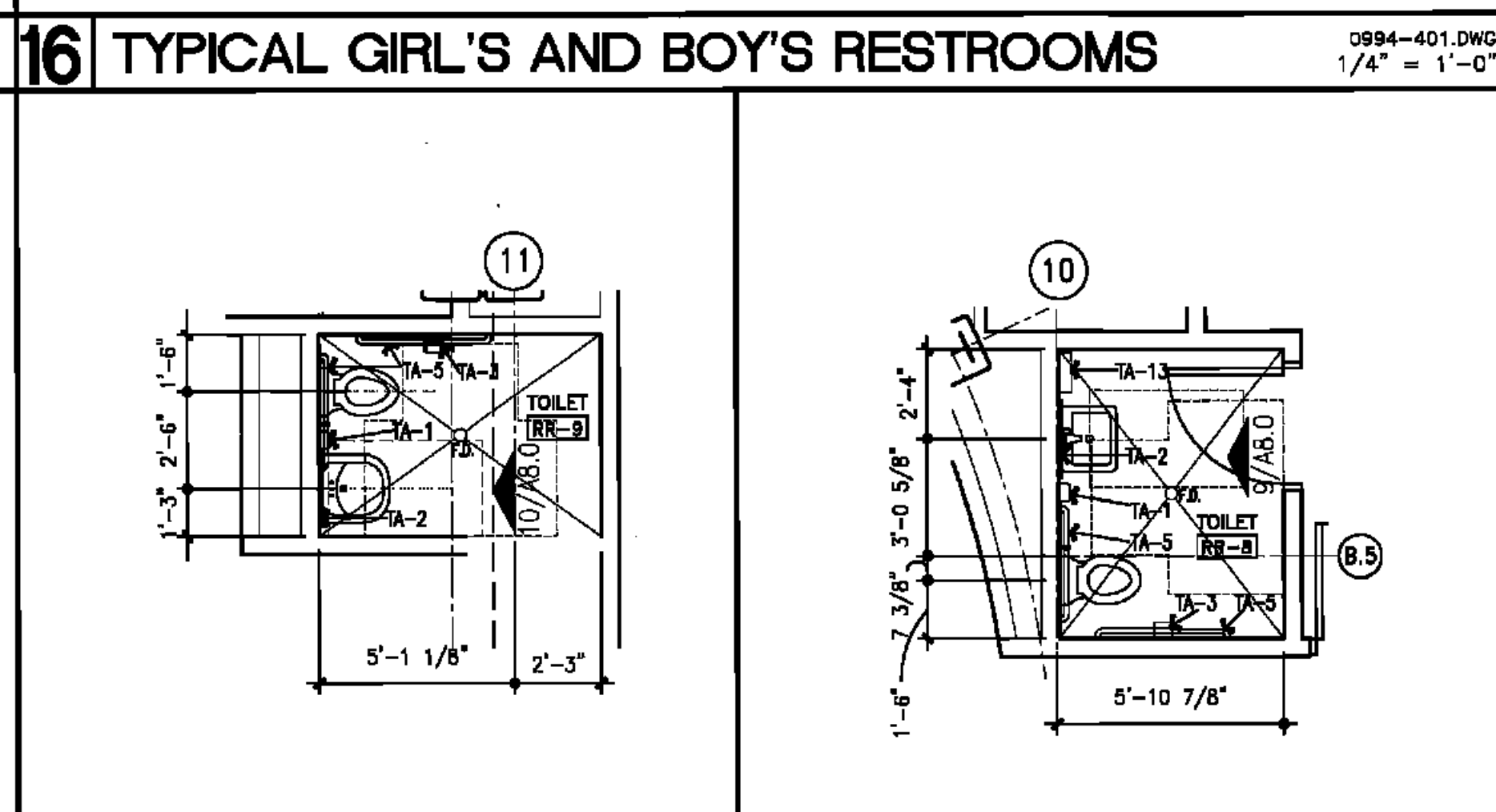
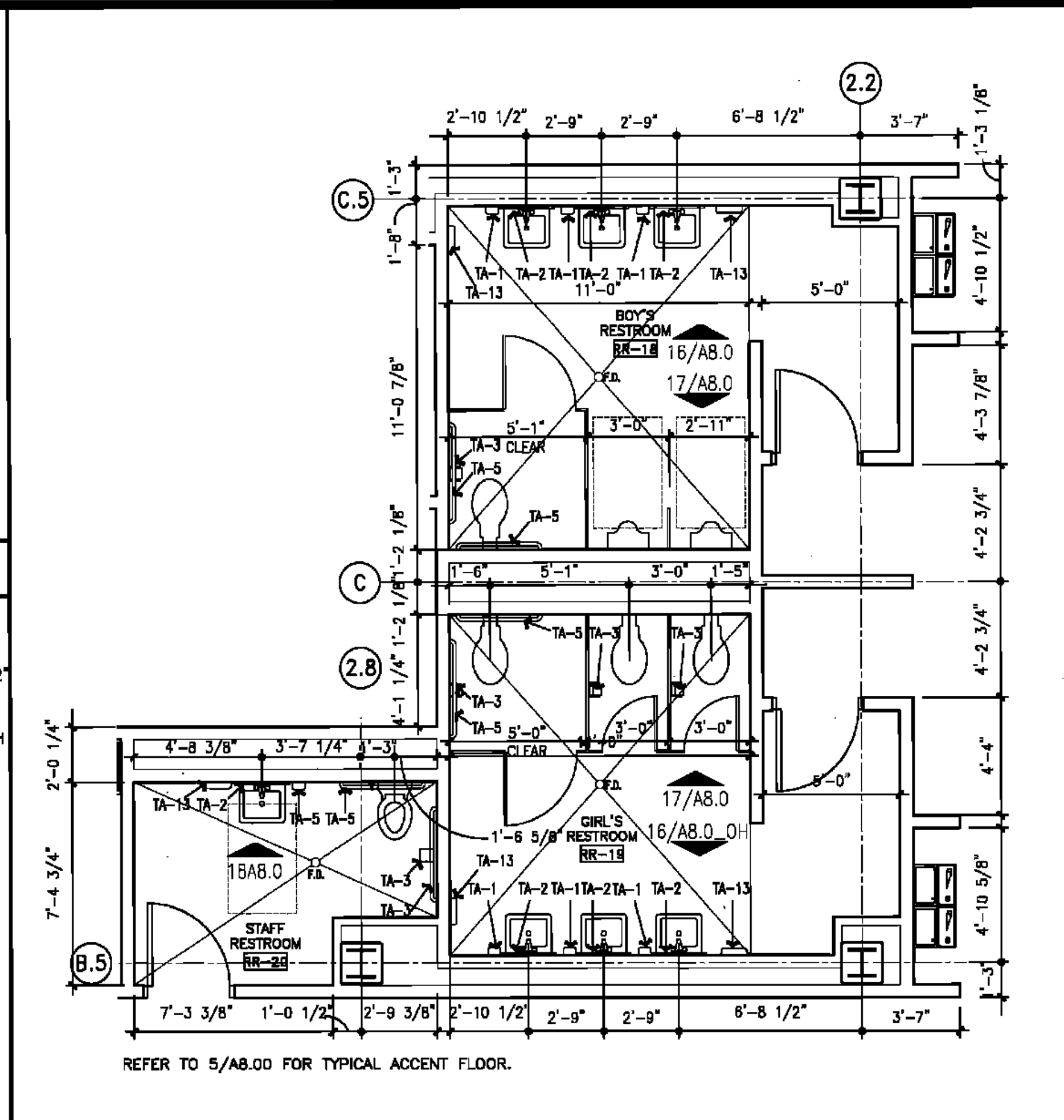
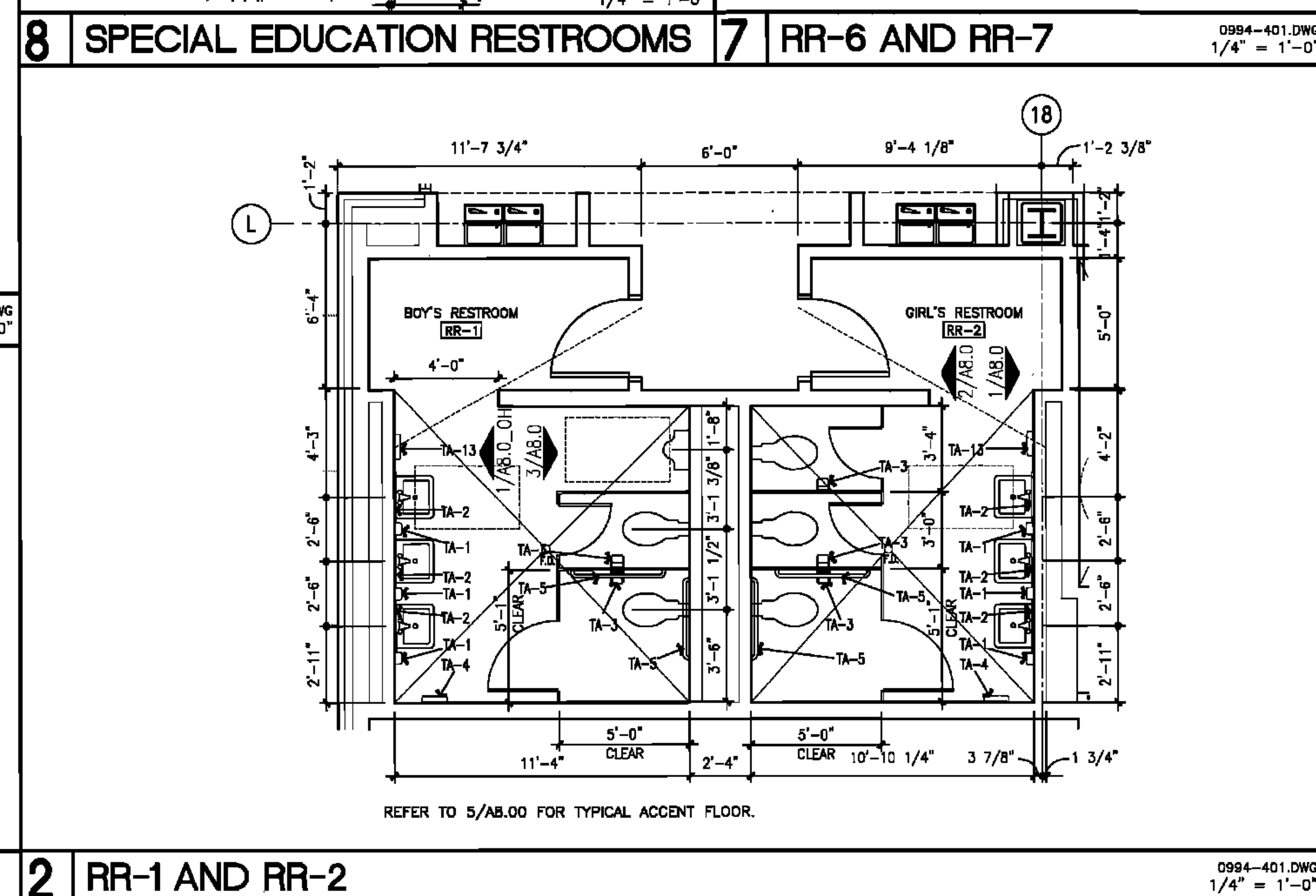
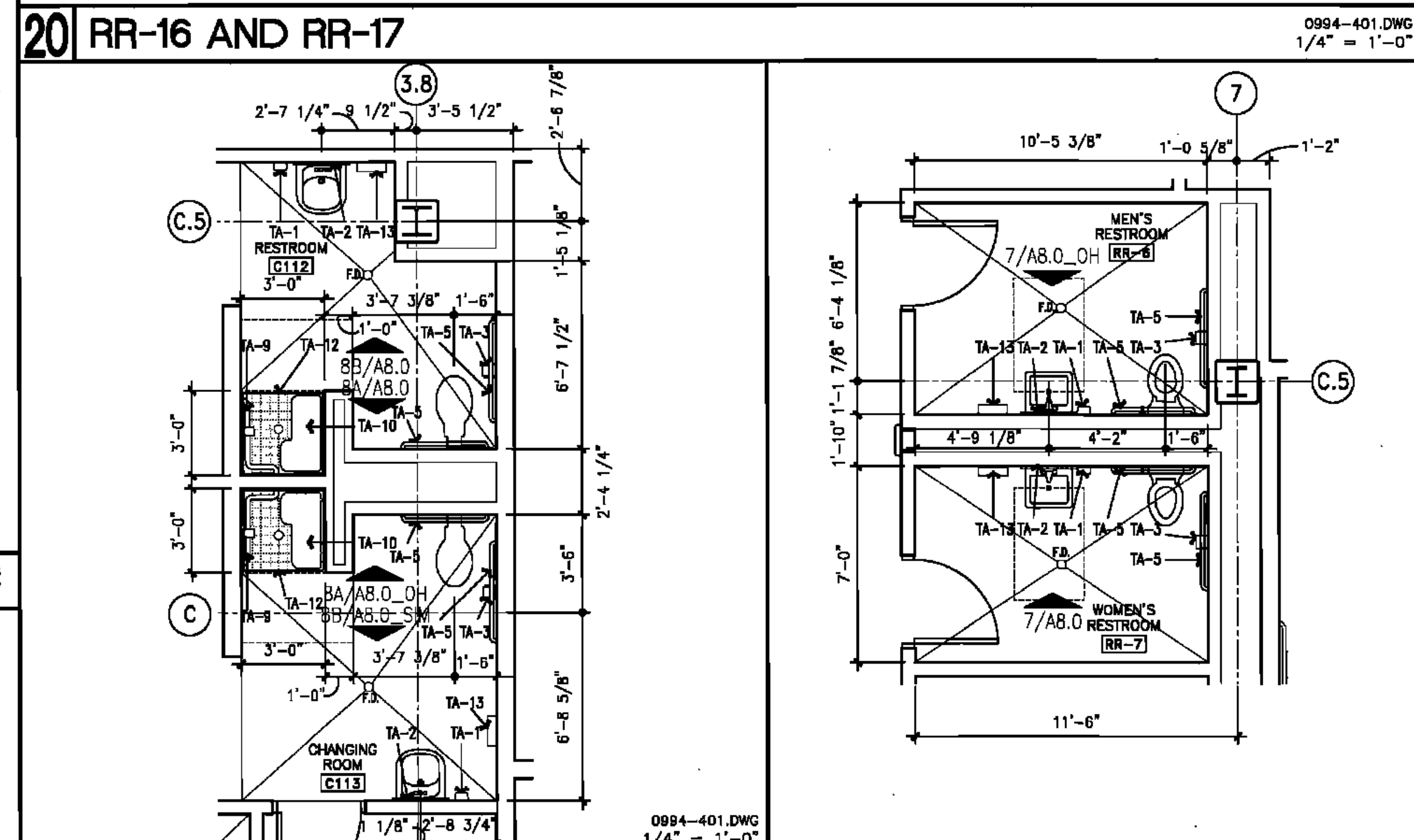
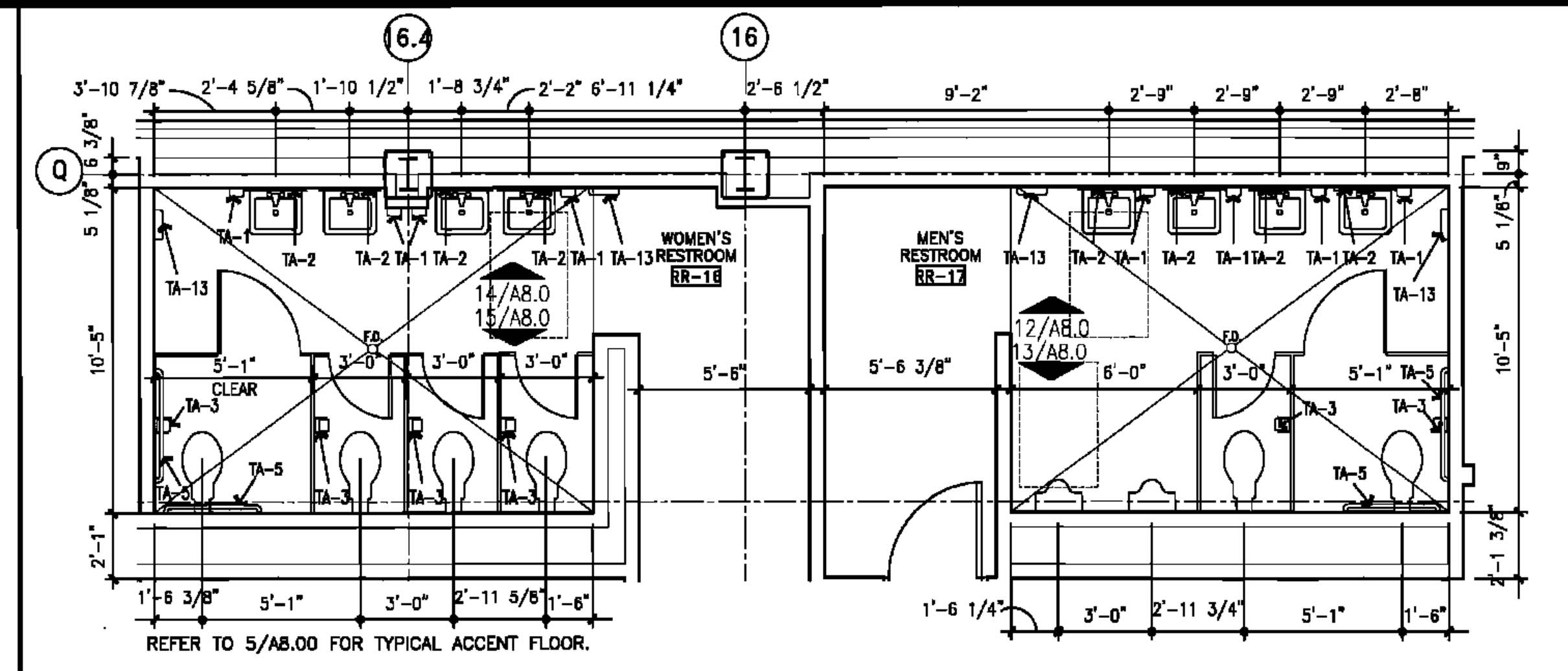
JOB NUMBER: BJS 128
DATE: 04/20/10
DRAWN BY:
CHECKED BY:

REVISIONS		
NO.	DATE	REVISION

SHEET TITLE:
ENLARGED RESTROOM PLANS

SHEET:

A-4.1
40 of 223 SHEETS



LABEL	DESCRIPTION
TA-1	SOAP DISPENSER OFCI
TA-2	MIRROR (NOTE: PROVIDE STAINLESS STEEL ILO GLASS @ STUDENT RESTRMS)
TA-3	TOILET TISSUE DISPENSER - OFCI
TA-4	PAPER TOWEL DISPENSER - OFCI
TA-5	GRAB BARS @ TYP. H.C. TOILET STALL
TA-6	NOT USED
TA-7	NOT USED
TA-8	MDP & BROOM HOLDER
TA-9	GRAB BARS @ H.C. SHOWERS
TA-10	FOLDING BENCH
TA-11	CLOTHES HOOK**
TA-12	SHOWER CURTAIN, ROD AND HOOKS
TA-13	ELECTRIC HAND DRYER
TA-14	NOT USED
TA-15	NOT USED
TA-16	NOT USED

**ONE HOOK INSIDE DOOR AT EACH TOILET PARTITION - ONE HOOK INSIDE DOOR AT SINGLE TOILET ROOMS AND ONE HOOK AT EACH SHOWER.

PROVIDE 1/2" MARBLE THRESHOLD AT ALL SHOWER ENTRANCES, RESTROOM DOORS, AND WHEREVER NOTED ON PLANS.

G.C. TO COORDINATE LOCATION OF ALL TOILET ACCESSORIES WITH OWNER, ARCHITECT, CUSTODIAL STAFF, PRIOR TO INSTALLATION REGARDLESS OF LOCATION SHOWN ON PLANS. OFCI - OWNER FURNISHED CONTRACTOR INSTALLED.

5 TOILET ACCESSORIES 0994-401.DWG 1/4" = 1'-0"

4 RR-5 0994-401.DWG 1/4" = 1'-0"

3 RR-3 AND RR-4 0994-401.DWG 1/4" = 1'-0"

23 RR-15

17 RR-14

16 TYPICAL GIRL'S AND BOY'S RESTROOMS

20 RR-16 AND RR-17

8 SPECIAL EDUCATION RESTROOMS 7 RR-6 AND RR-7

5 TOILET ACCESSORIES

4 RR-5

3 RR-3 AND RR-4

2 RR-1 AND RR-2