



BYRON J. STEWART & ASSOC.
ARCHITECTS & PLANNERS, APC
2300 MARIBON STREET
NEW ORLEANS, LOUISIANA 70115
(504) 527-3397 (504) 527-9342 FAX

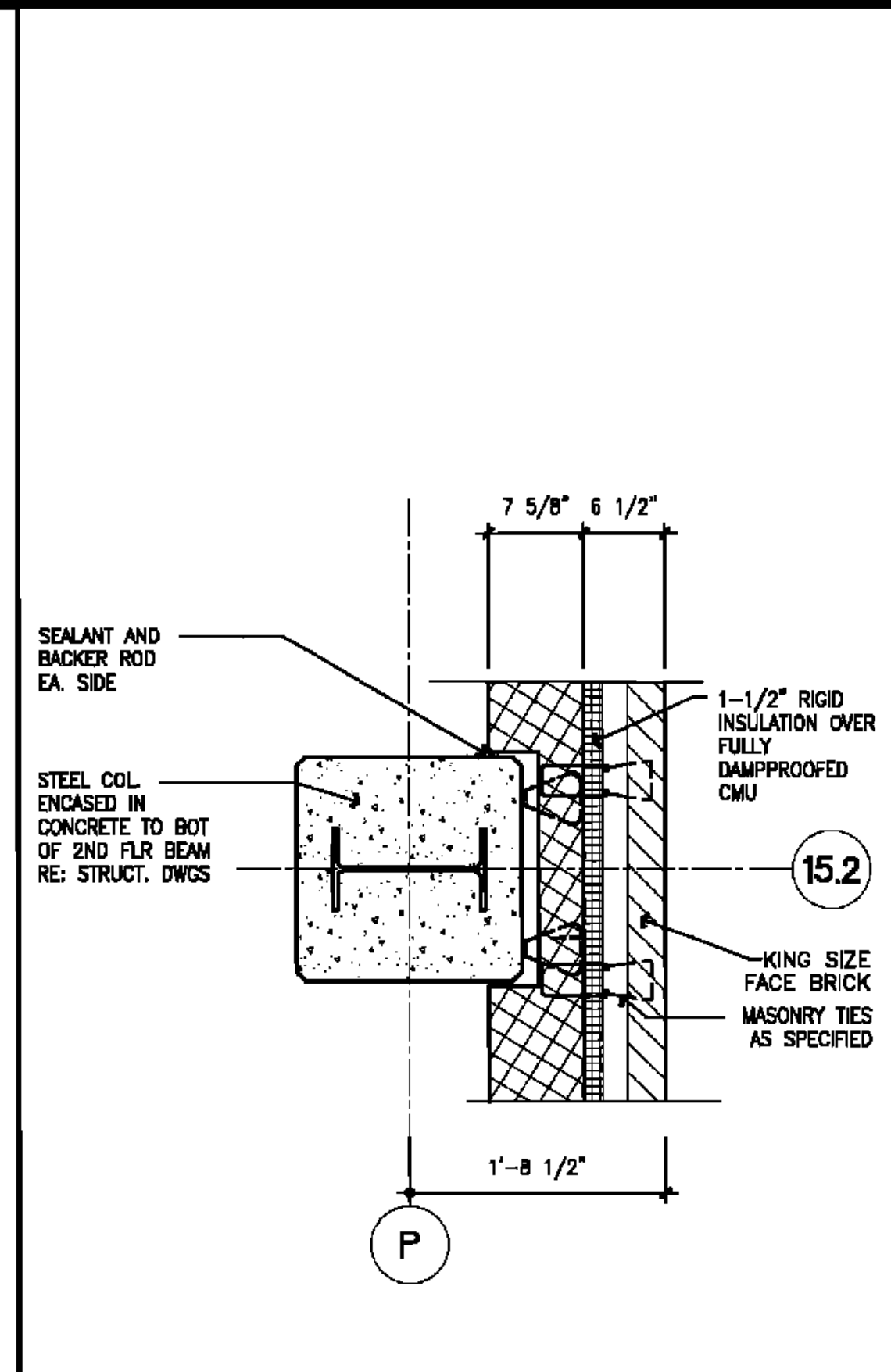


CARTER G. WOODSON SCHOOL
RECOVERY SCHOOL DISTRICT
2514 THIRD STREET
NEW ORLEANS, LOUISIANA

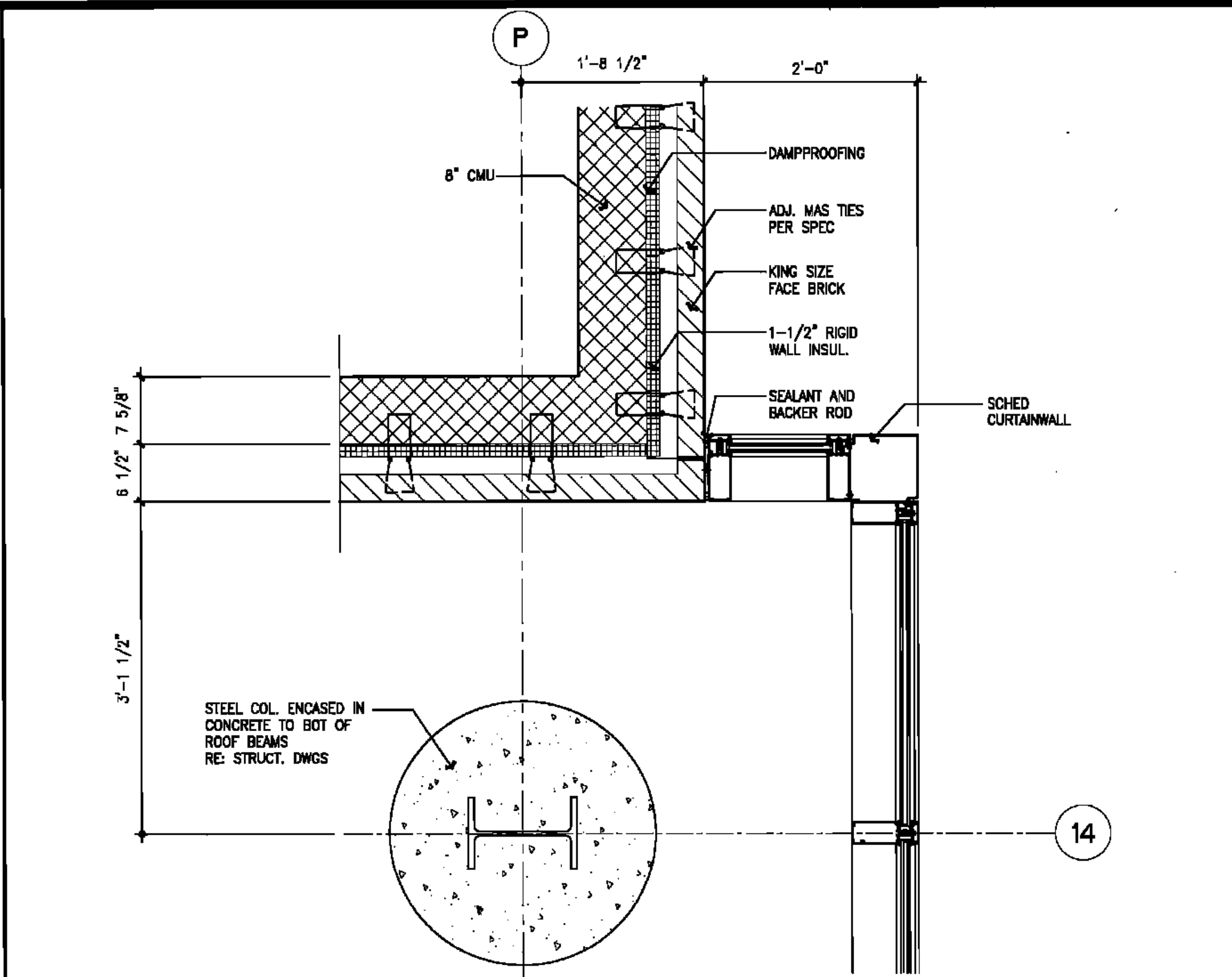
FOR CONSTRUCTION

JOB NUMBER:	BU5 126	
DATE:	04/20/10	
DRAWN BY:		
CHECKED BY:		
REVISIONS		
NO.	DATE	REVISION
SHEET TITLE:		
ENLARGED PLAN DETAILS		
SHEET:		

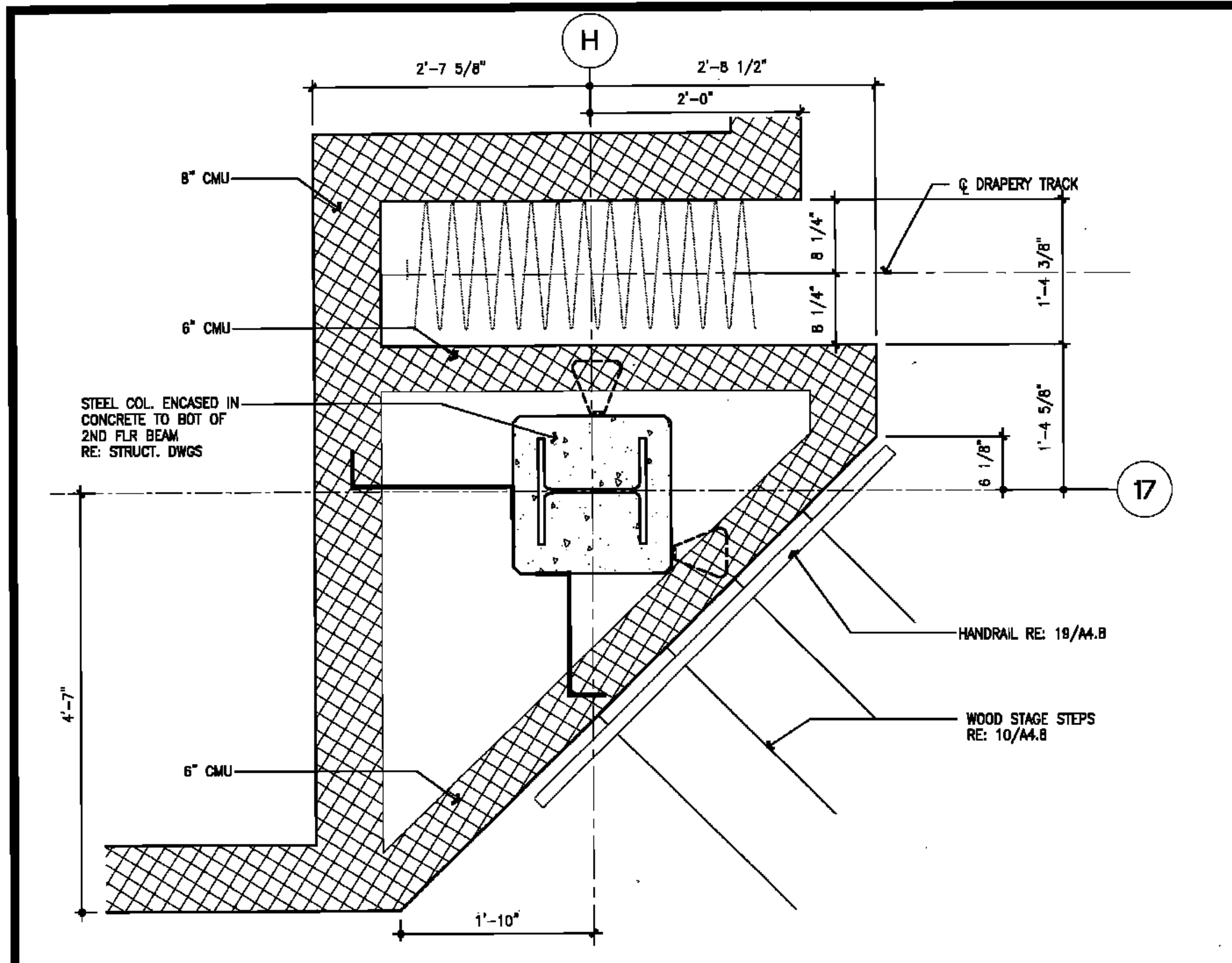
A-2.14



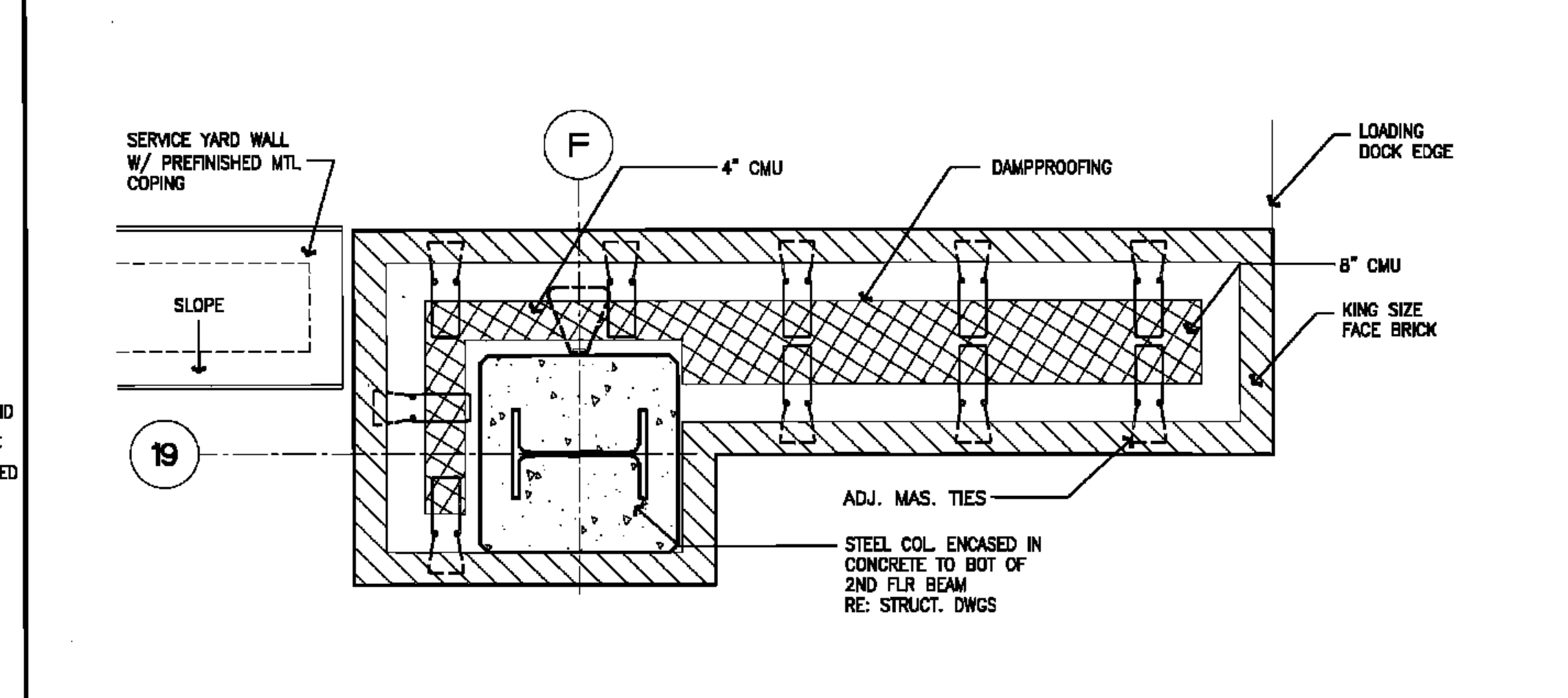
11 PLAN DETAIL 1" = 1'-0"



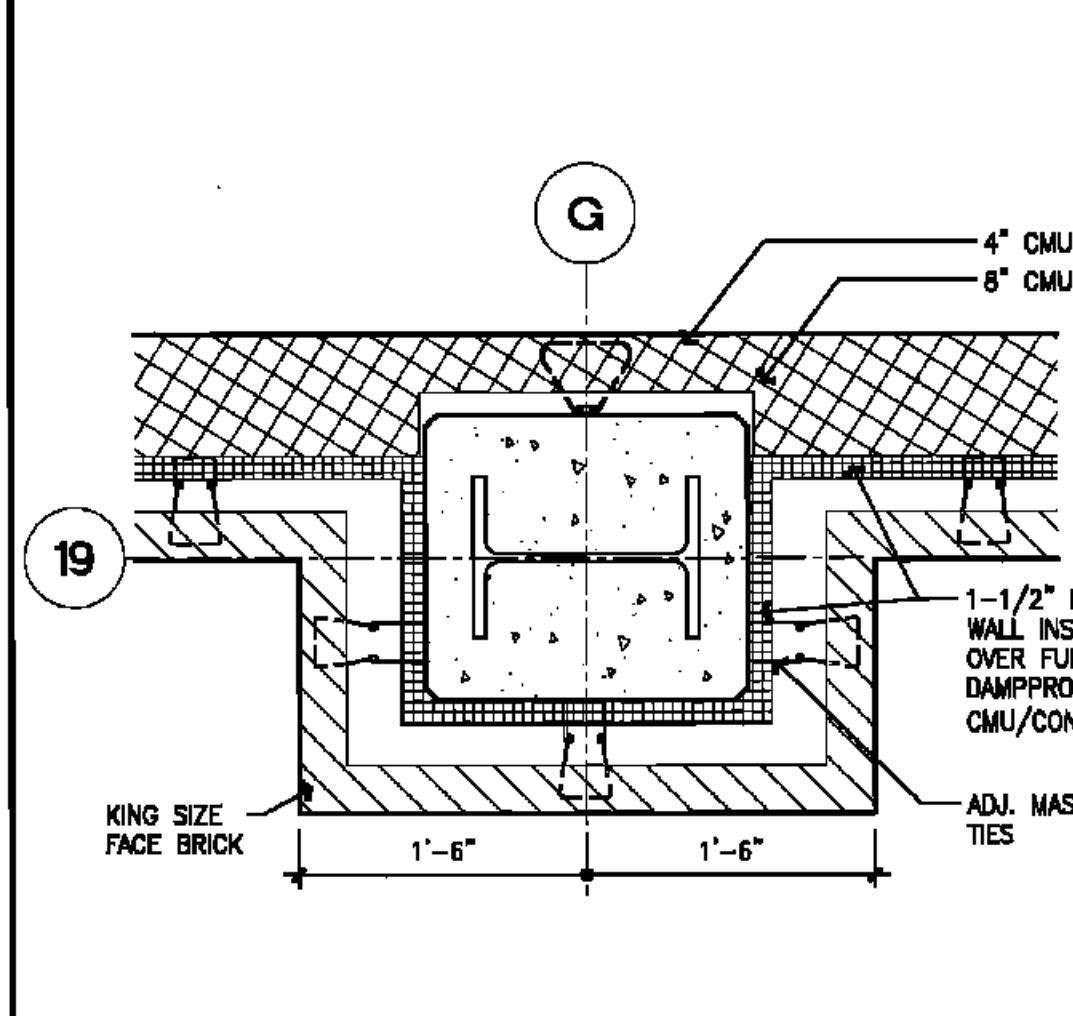
13 PLAN DETAIL 1" = 1'-0"



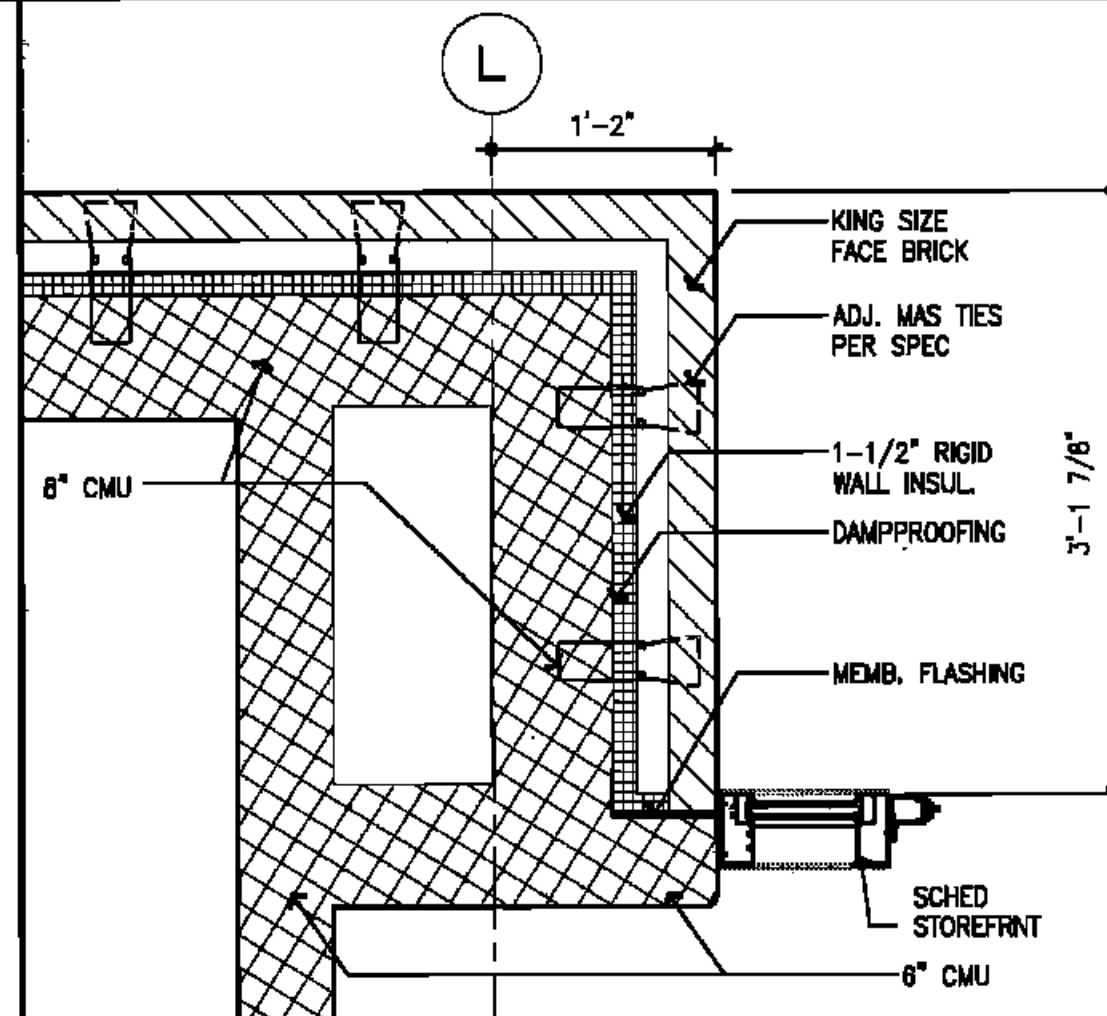
15 PLAN DETAIL 1" = 1'-0"



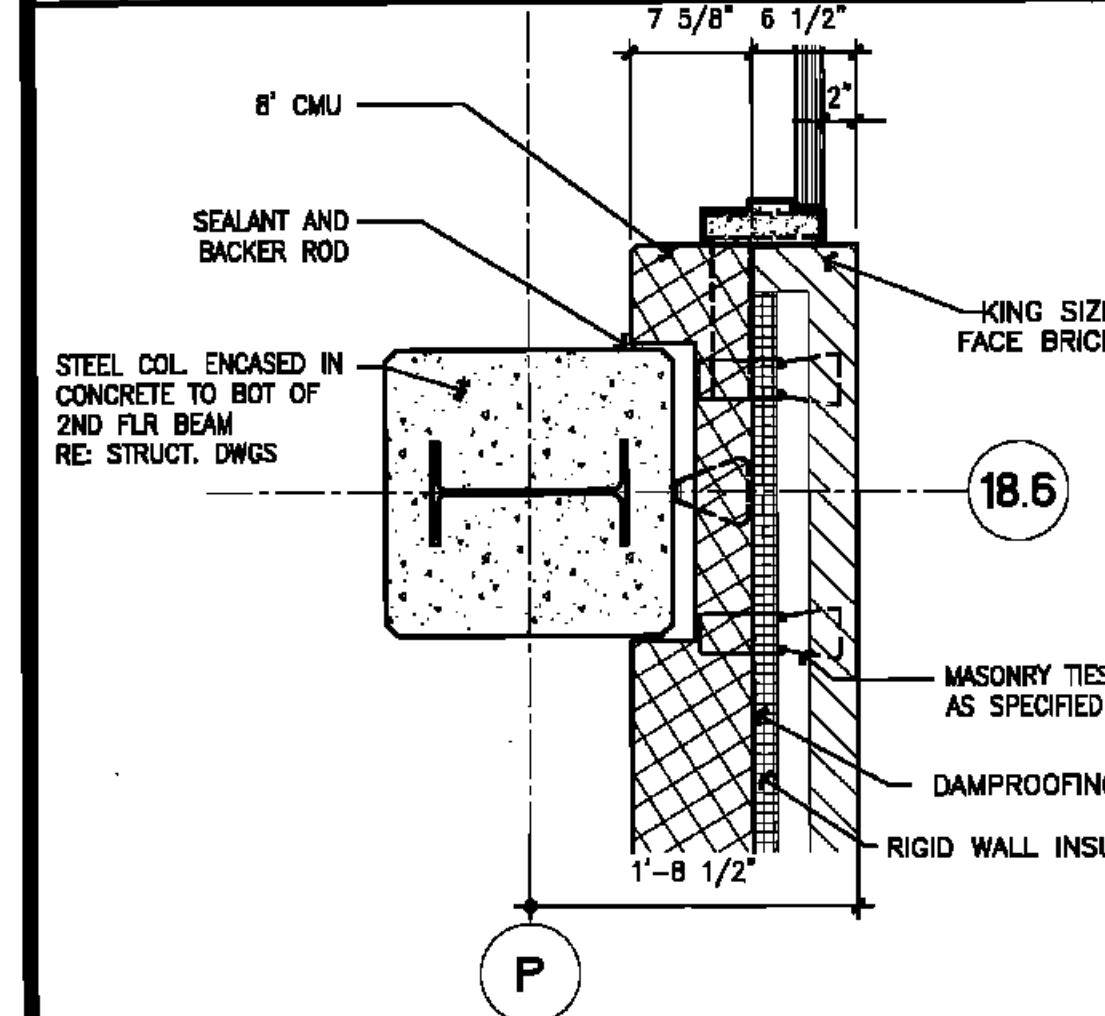
7 PLAN DETAIL 1" = 1'-0"



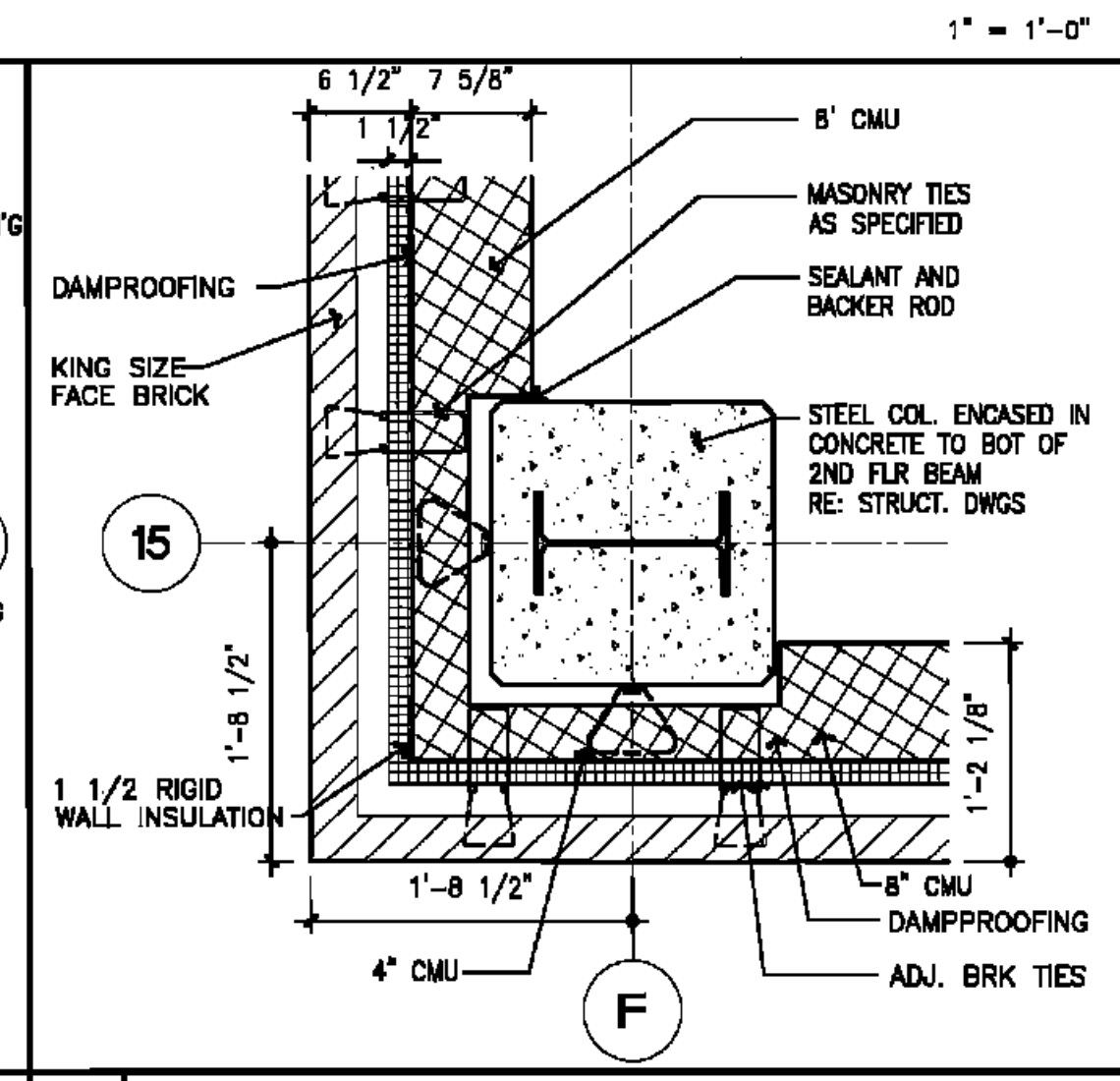
19 PLAN DETAIL 1" = 1'-0"



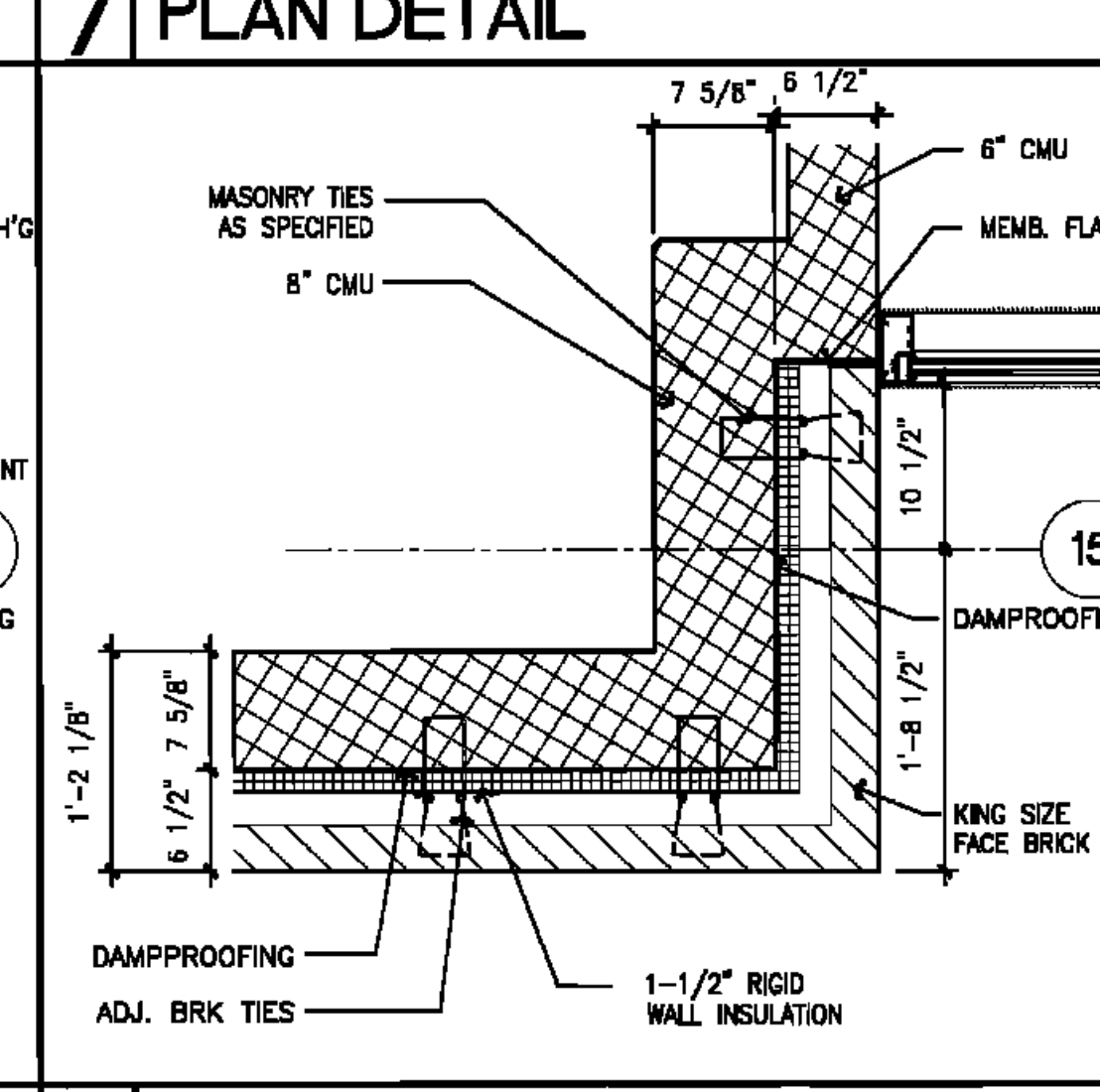
9 PLAN DETAIL 1" = 1'-0"



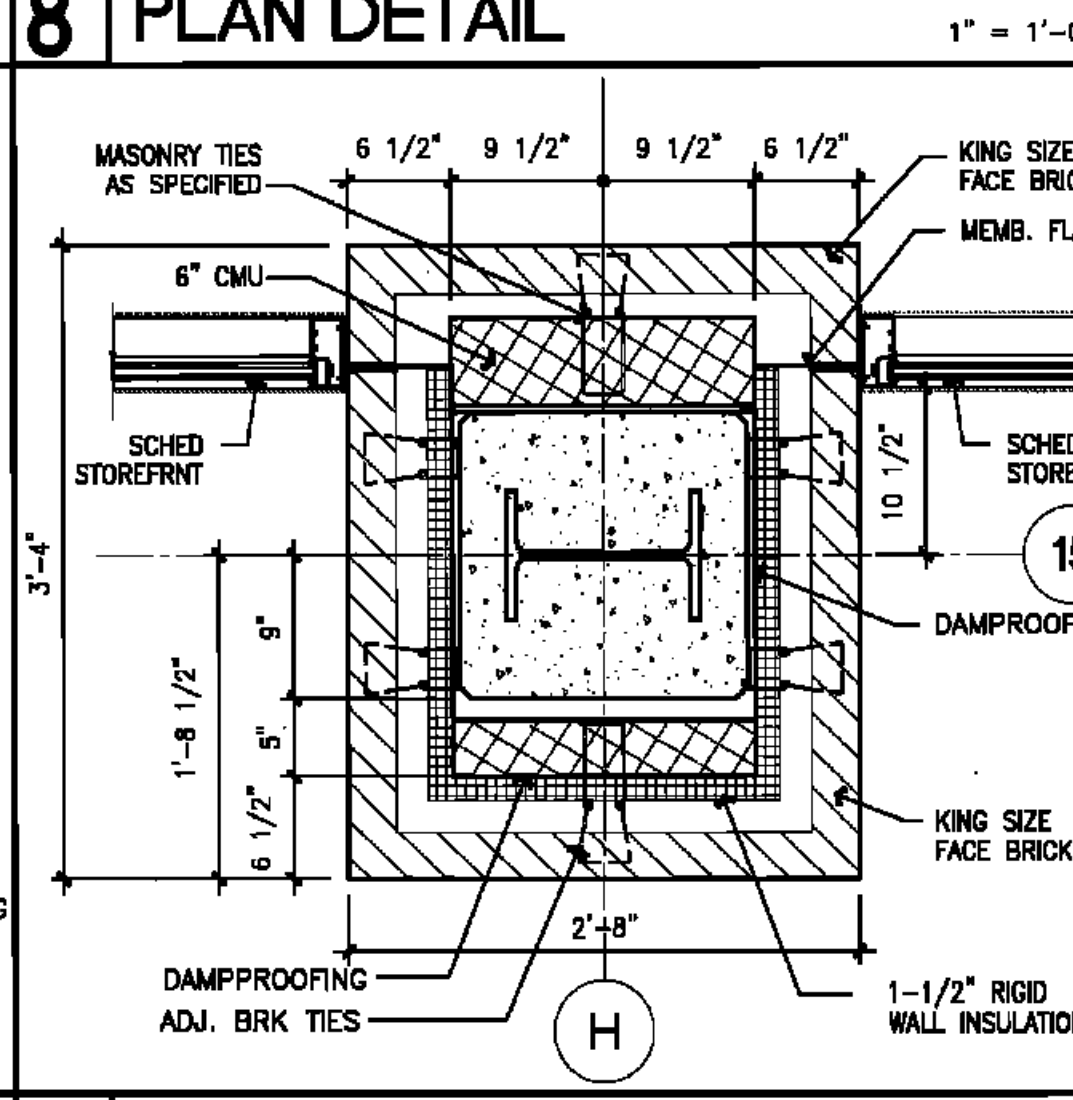
18 PLAN DETAIL 1" = 1'-0"



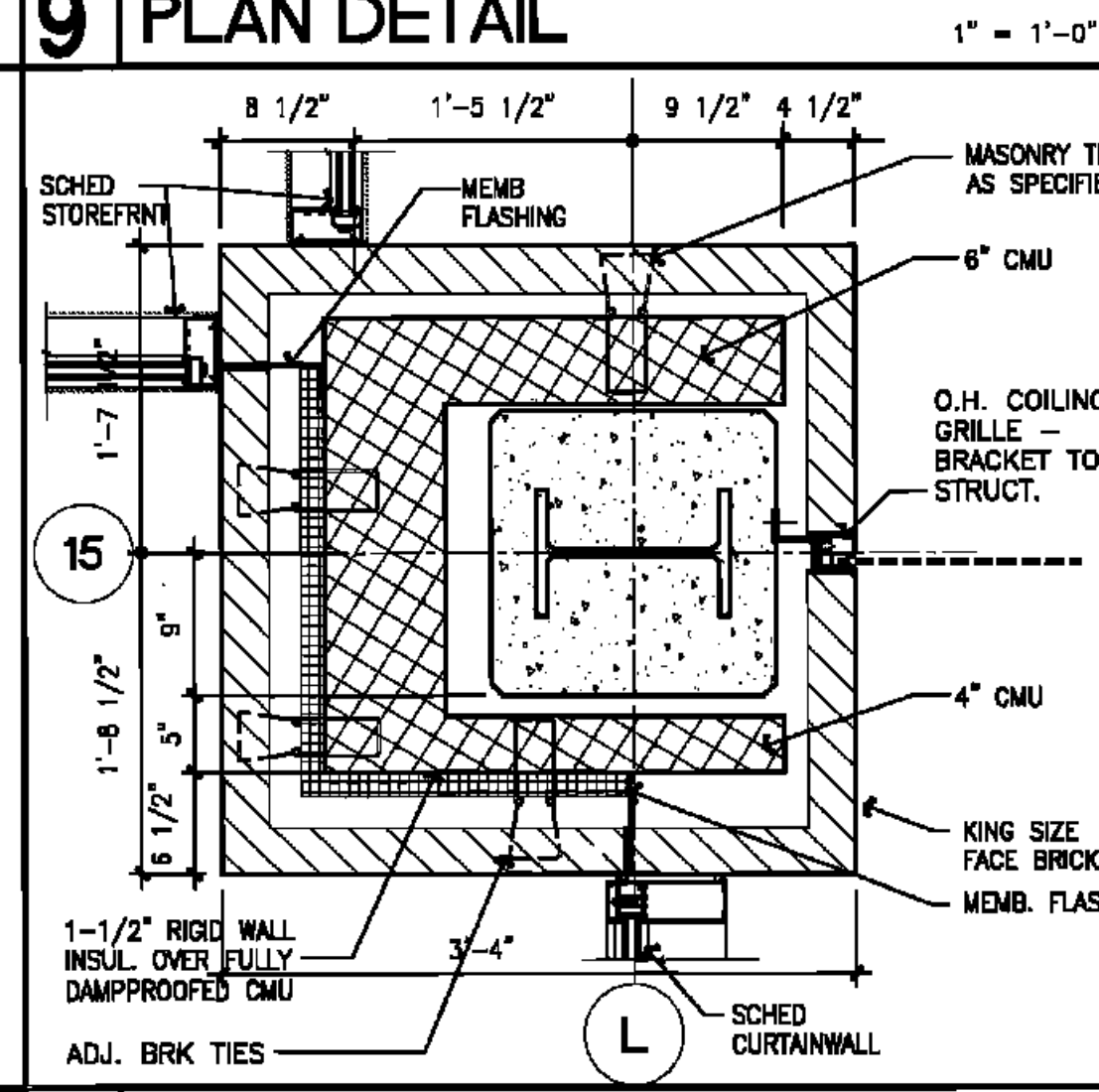
1 PLAN DETAIL 1" = 1'-0"



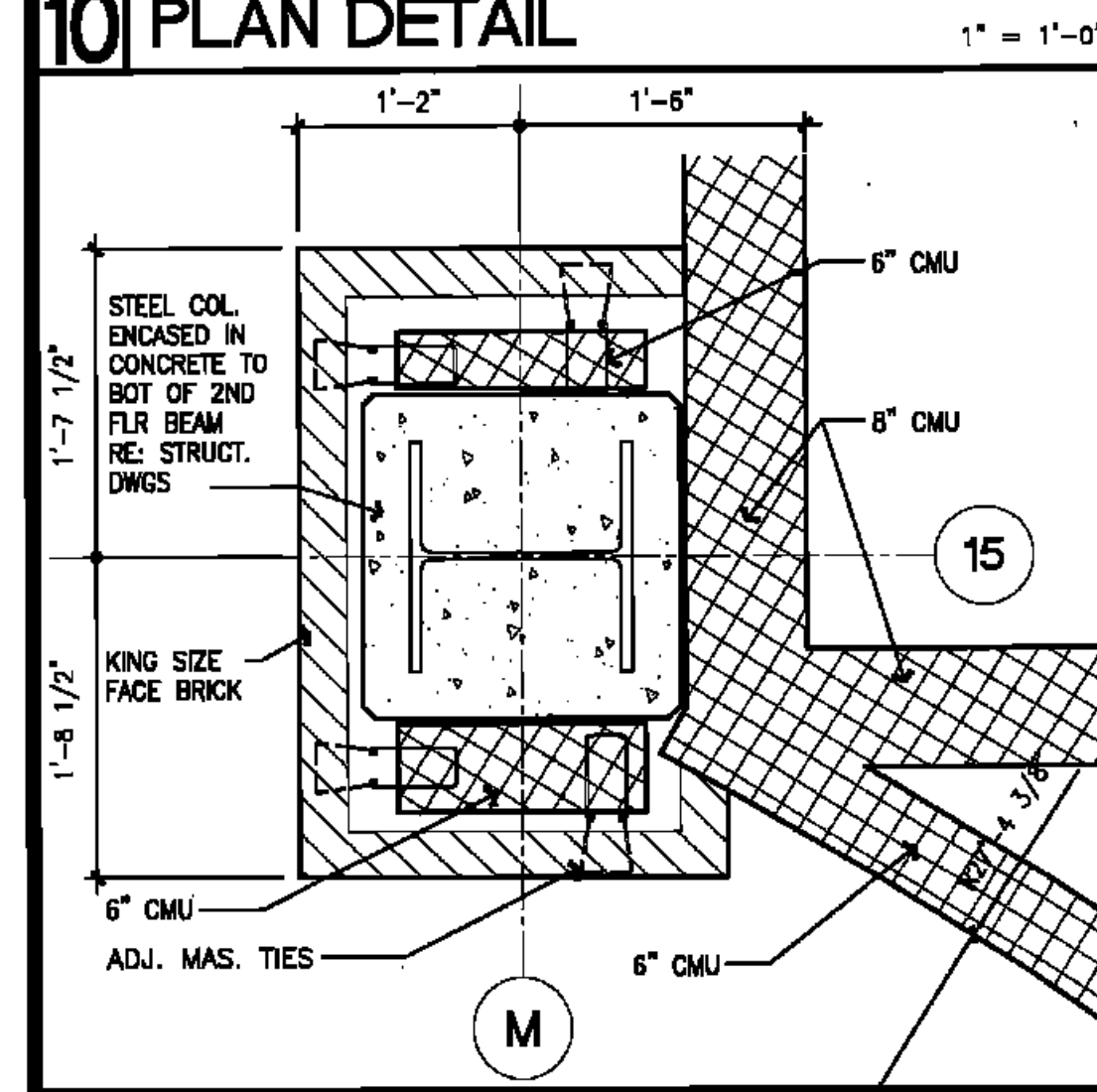
2 PLAN DETAIL 1" = 1'-0"



3 PLAN DETAIL 1" = 1'-0"



4 PLAN DETAIL 1" = 1'-0"



5 PLAN DETAIL 1" = 1'-0"