

BYRON J. STEWART & ASSOC.
ARCHITECTS & PLANNERS, APC
2300 MARSENGO STREET
NEW ORLEANS, LOUISIANA 70115
(504) 527-5337 (504) 527-5342 FAX

PK
Architecture
Engineering
Planning
Facility Consulting

CARTER G. WOODSON SCHOOL
RECOVERY SCHOOL DISTRICT
2514 THIRD STREET
NEW ORLEANS, LOUISIANA

FOR CONSTRUCTION

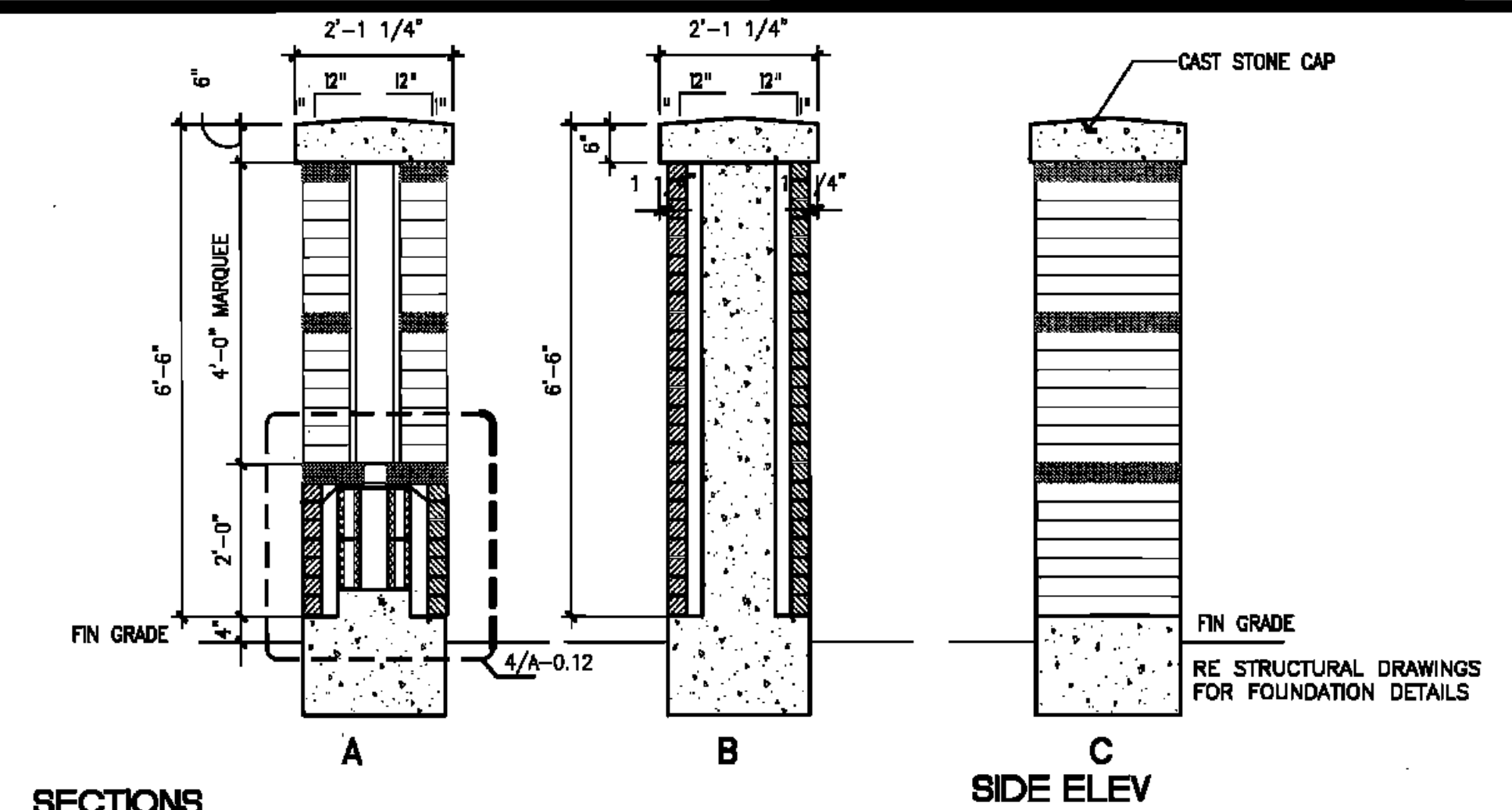
JOB NUMBER: B.15 128
DATE: 04/20/10
DRAWN BY:
CHECKED BY:

REVISIONS		
NO.	DATE	REVISION

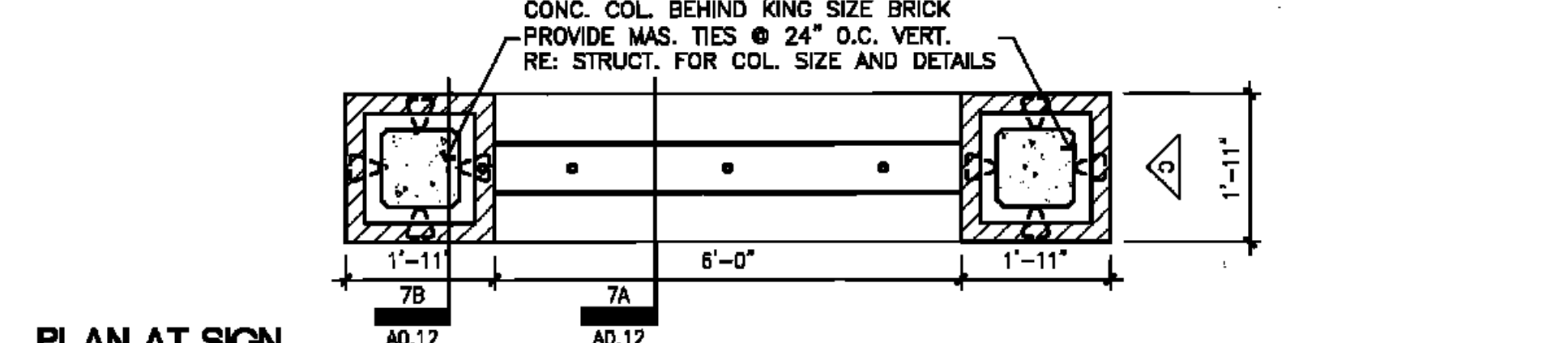
SHEET TITLE: **SITE DETAILS**

SHEET: **A-0.12**

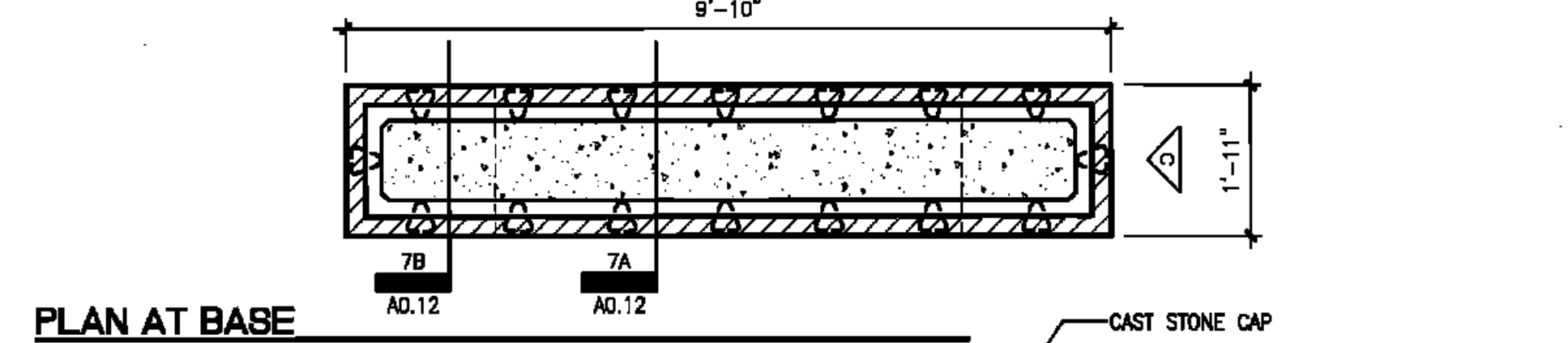
27 of 223 SHEETS



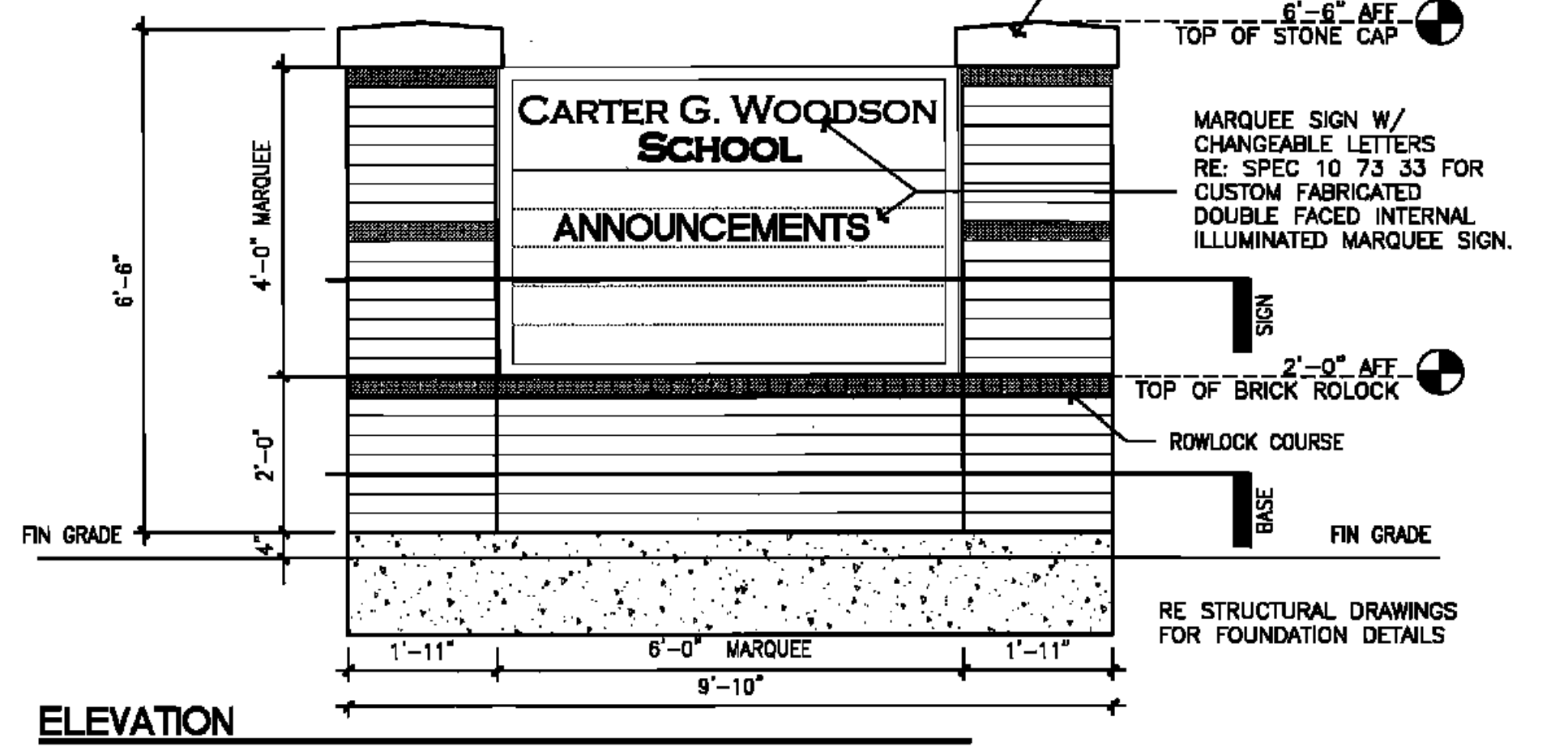
SECTIONS SIDE ELEV



PLAN AT SIGN

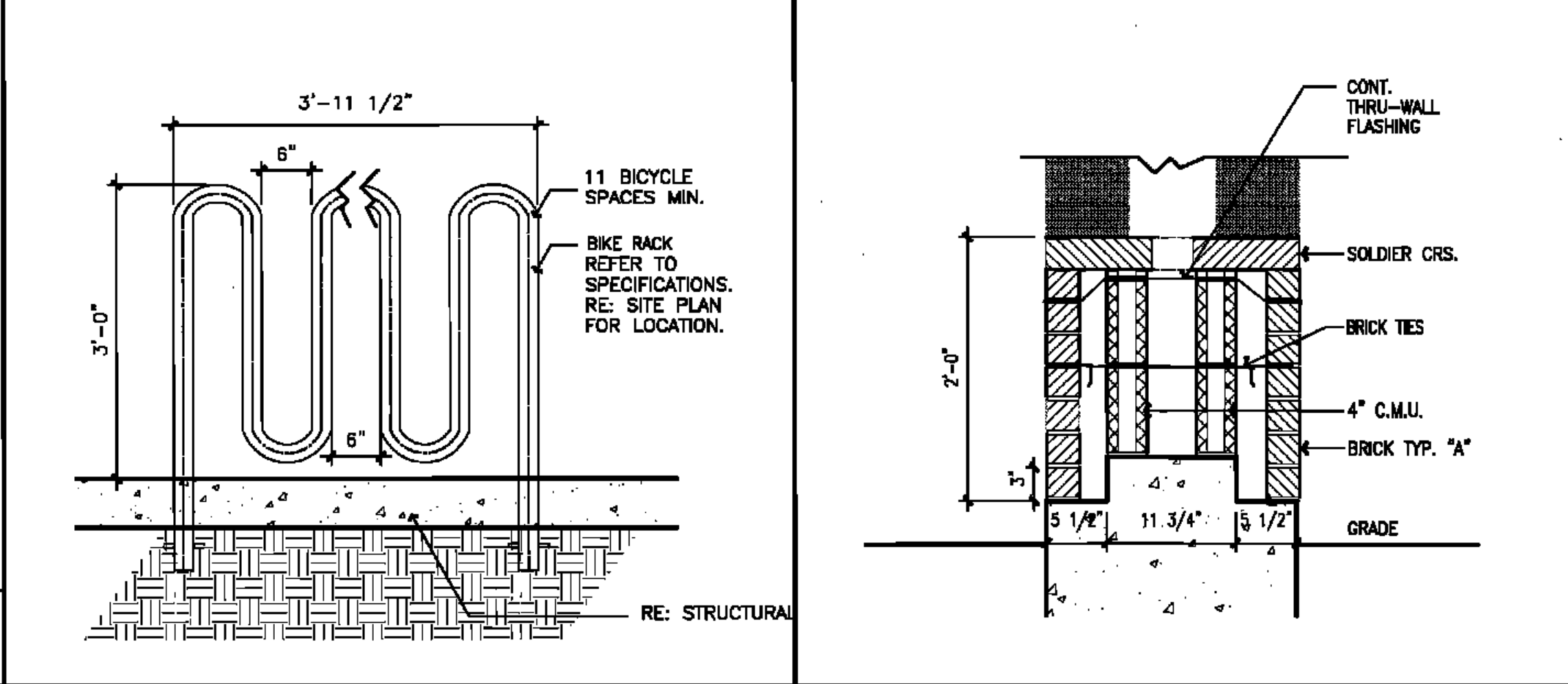


PLAN AT BASE

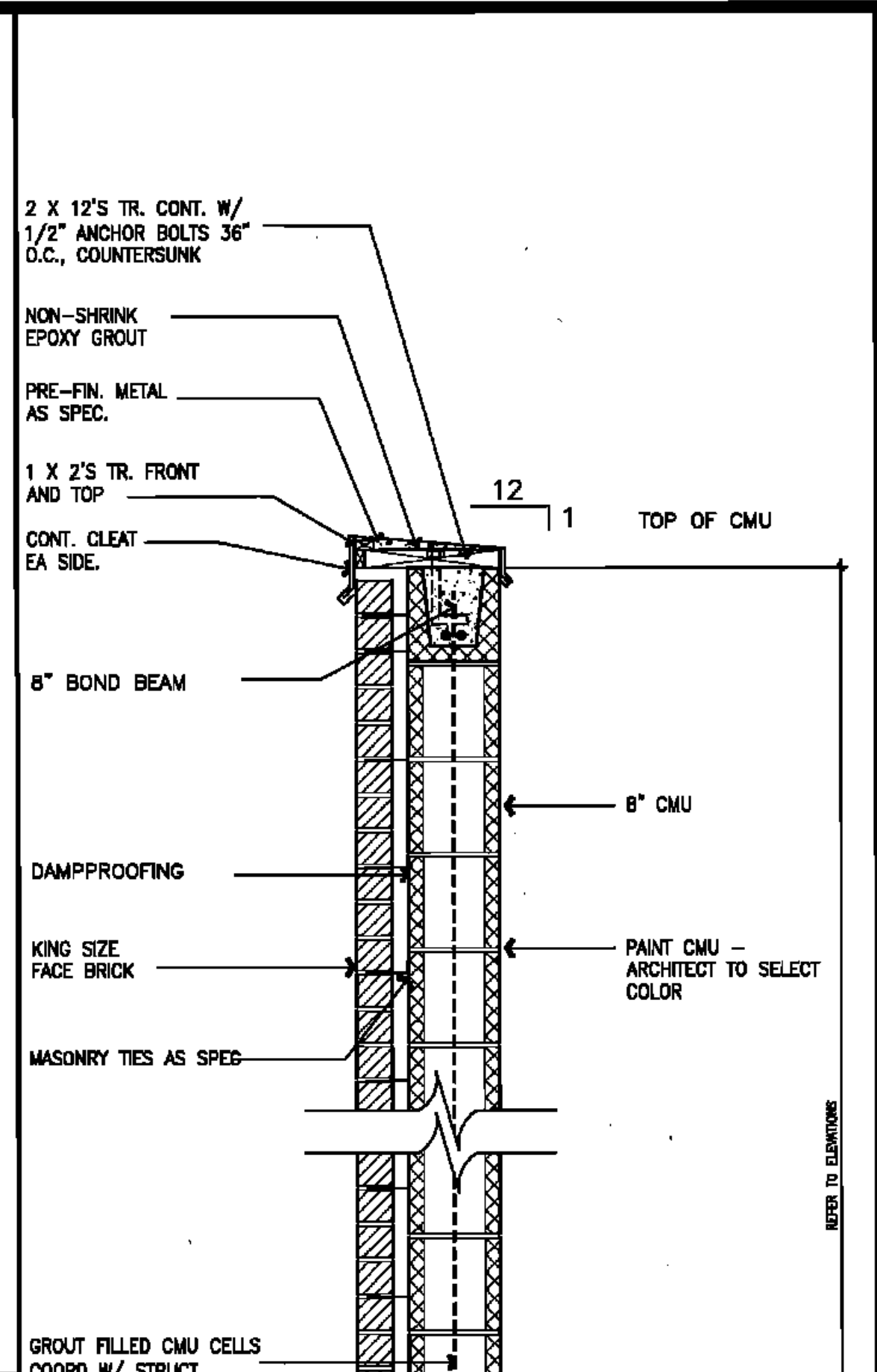


ELEVATION

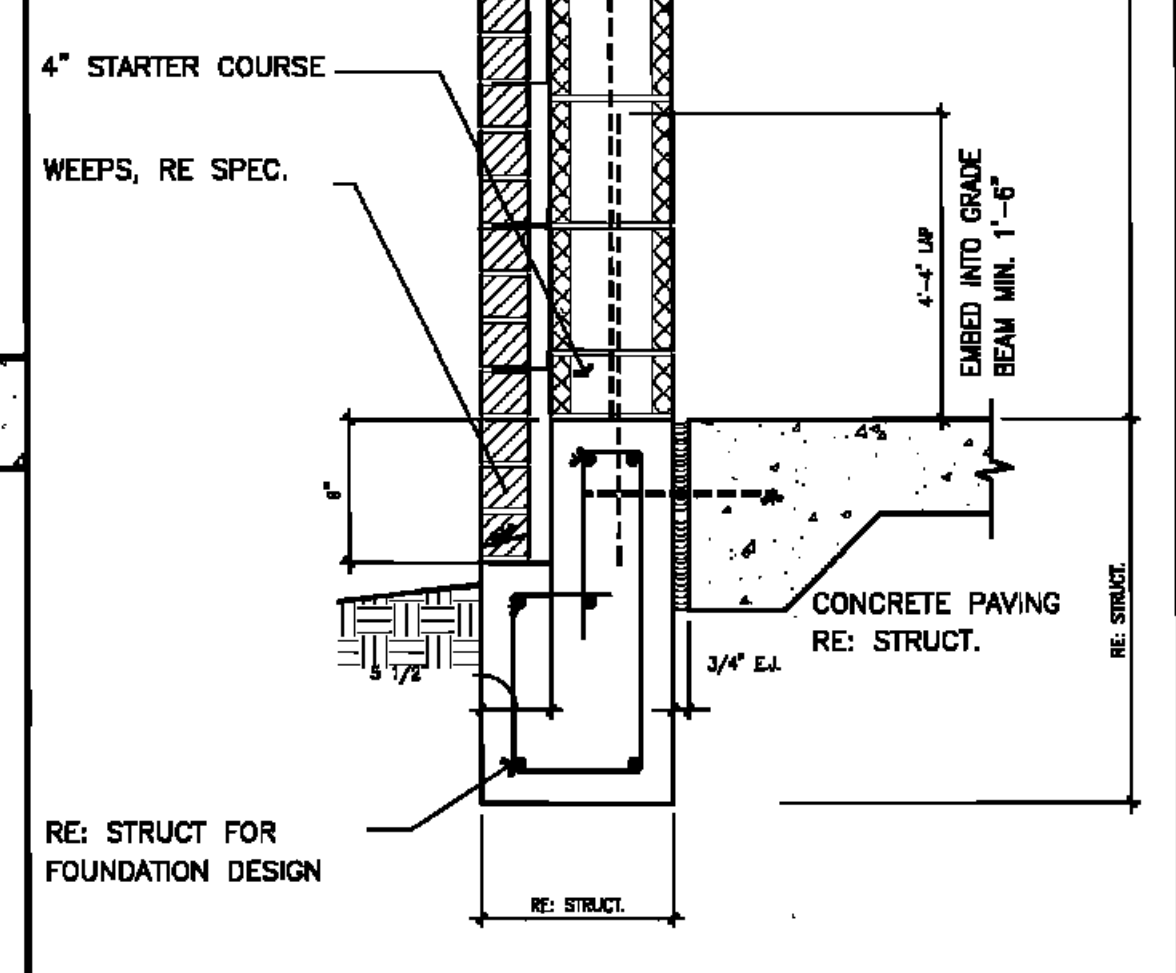
7 MARQUEE PLN DTL / ELEV 1/2" = 1'-0"



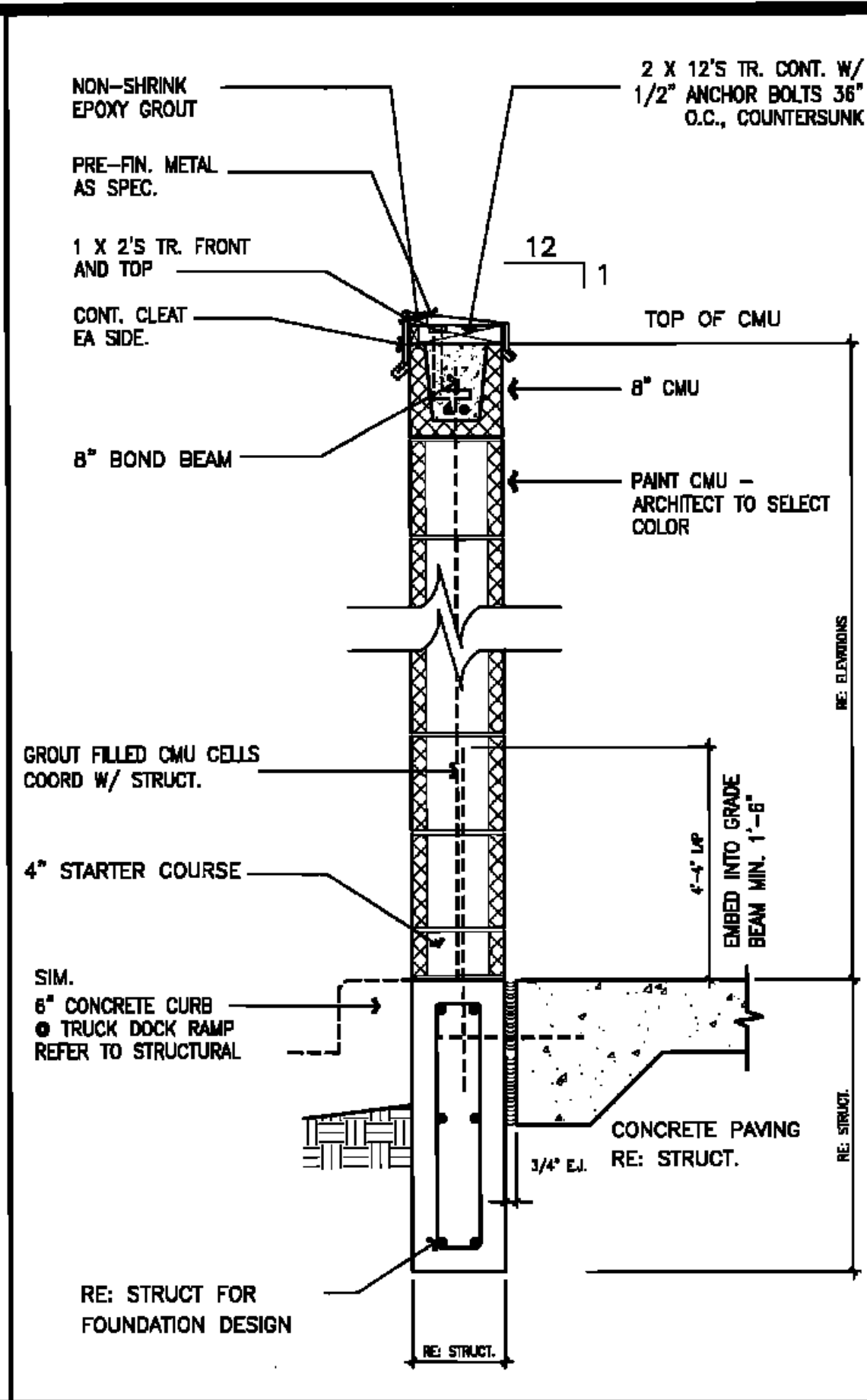
2 BIKE RACK 3/4" = 1'-0"



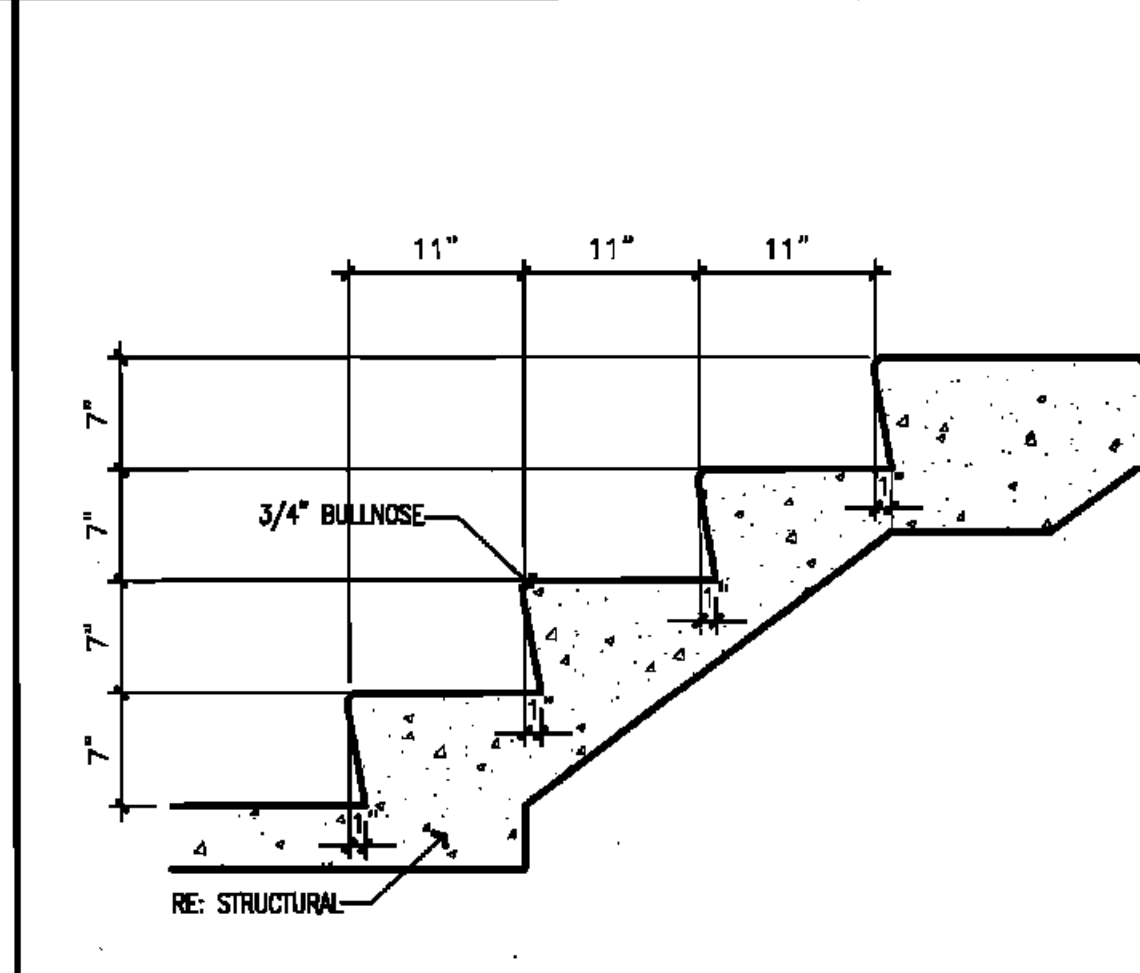
8A SERVICE YARD WALL 0994-112.dwg 1/2" = 1'



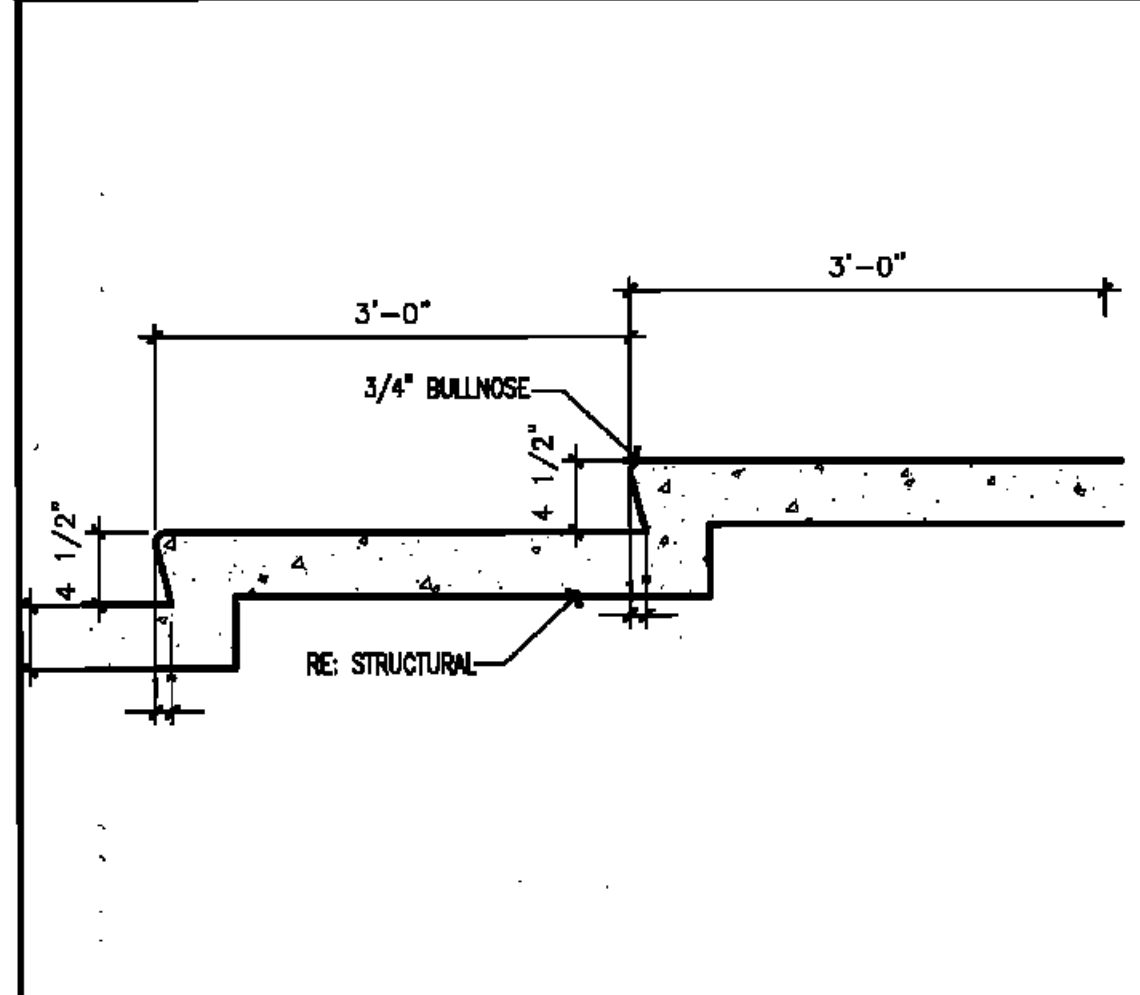
8 SERVICE YARD WALL 0994-112.dwg 1/2" = 1'



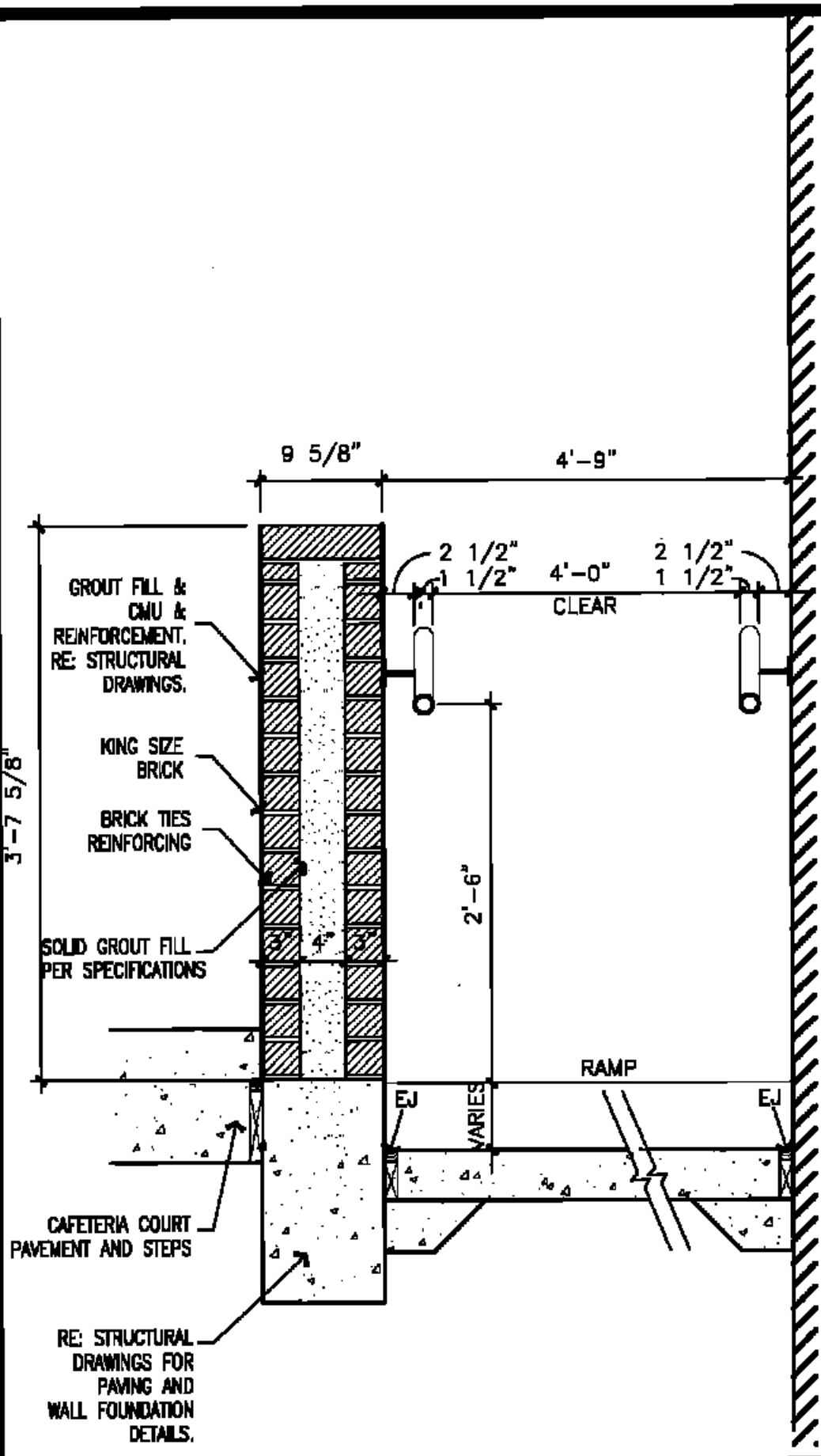
8A SERVICE YARD WALL 0994-112.dwg 1/2" = 1'



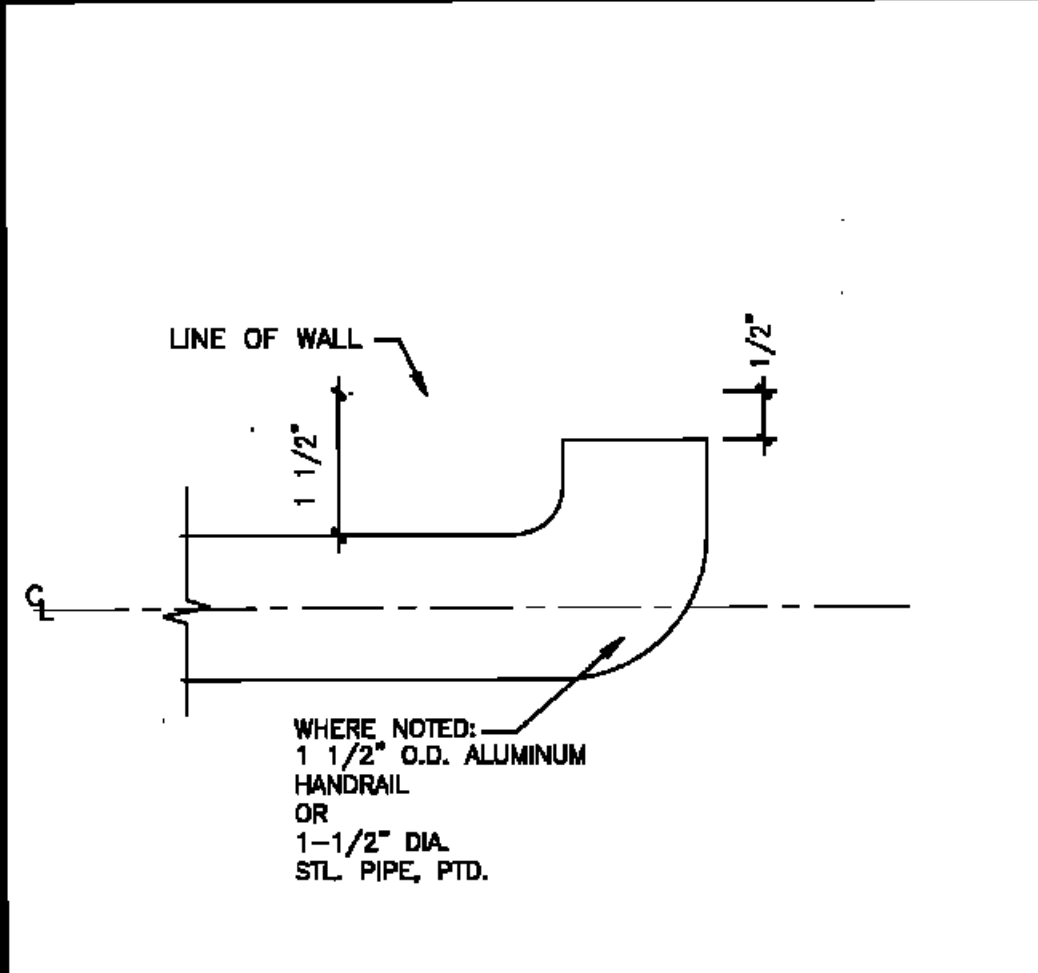
6 STAIR AT PLAYGROUND/STAFF ENTRY STAIR.DWG 1" = 1'-0"



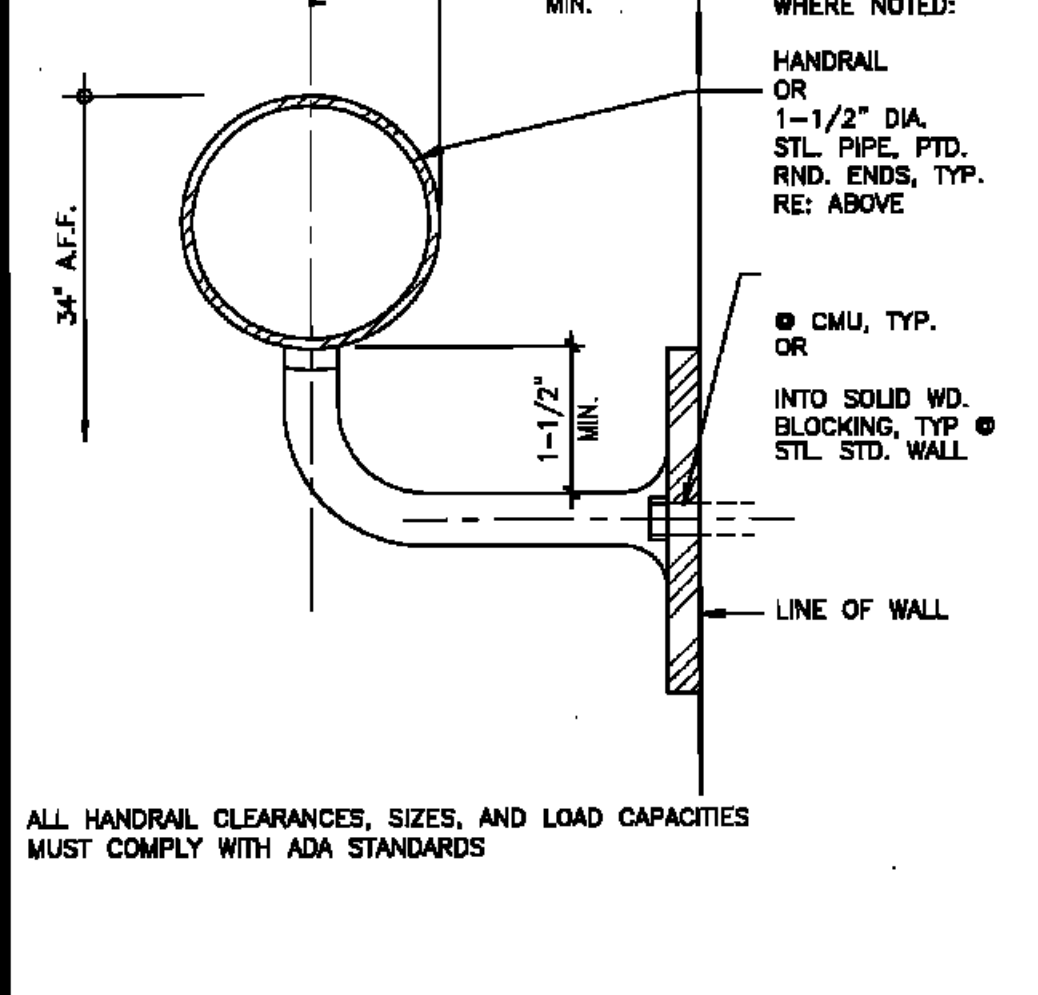
4 STAIR AT CAFETERIA COURTYARD STAIR.DWG 1" = 1'-0"



9 COURTYARD RAMP WALL 1" = 1'-0"



5 EXT. HANDRAIL DETAIL 0994-112.dwg 1/2" = 1'



5 EXT. HANDRAIL DETAIL 0994-112.dwg 1/2" = 1'