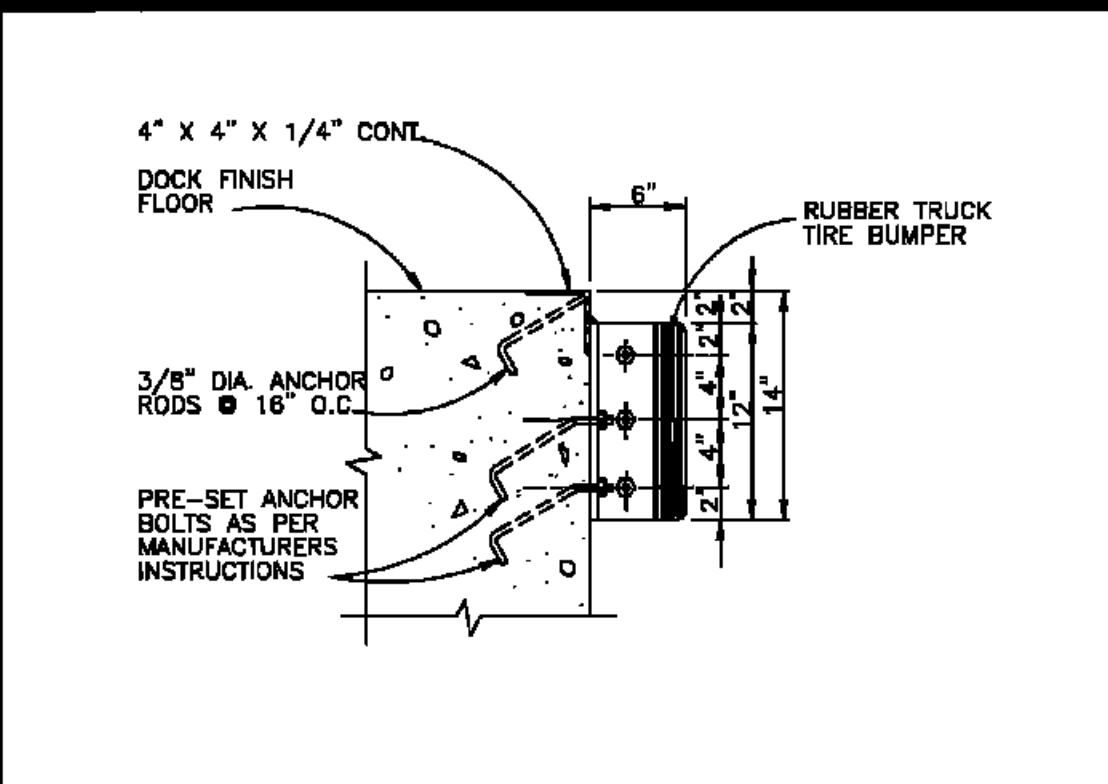
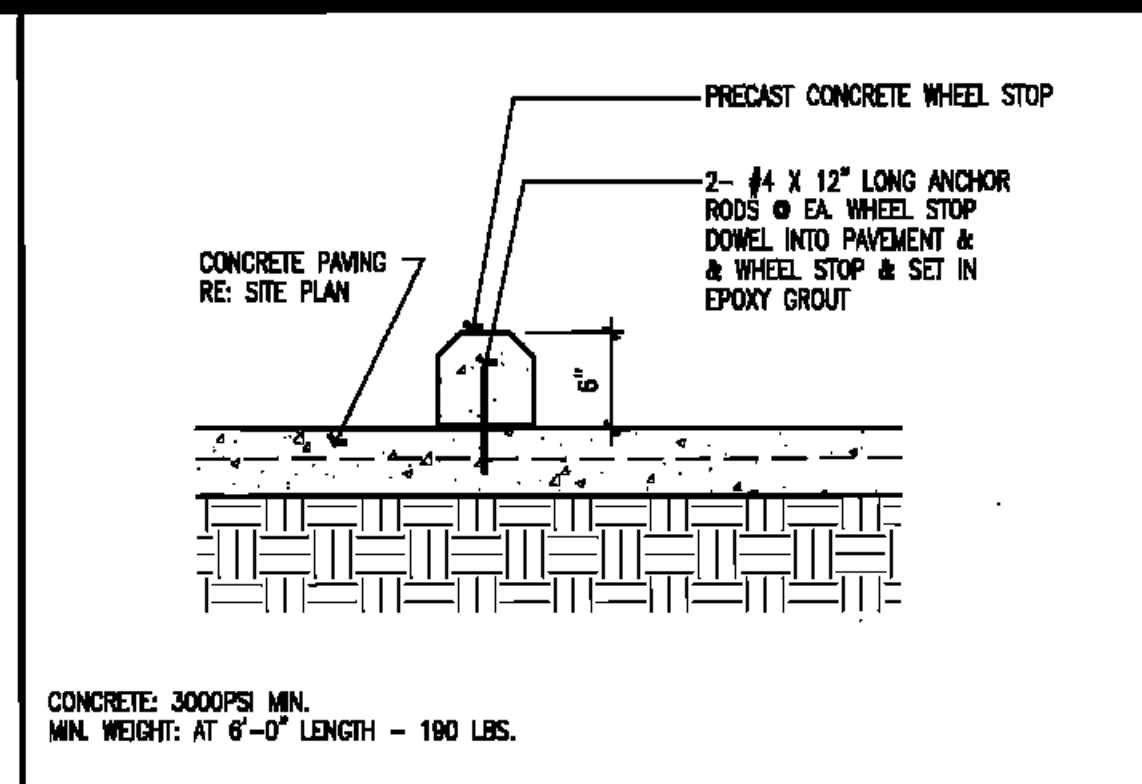


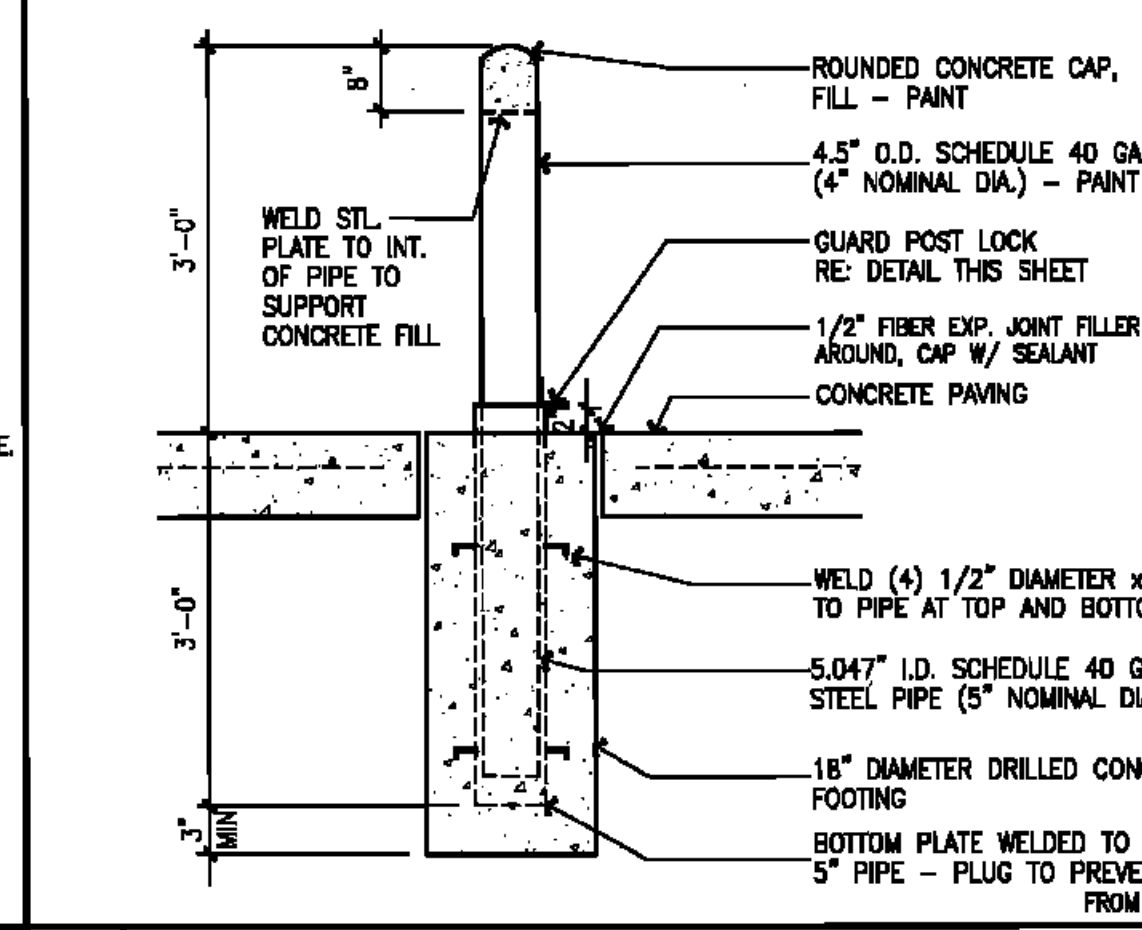
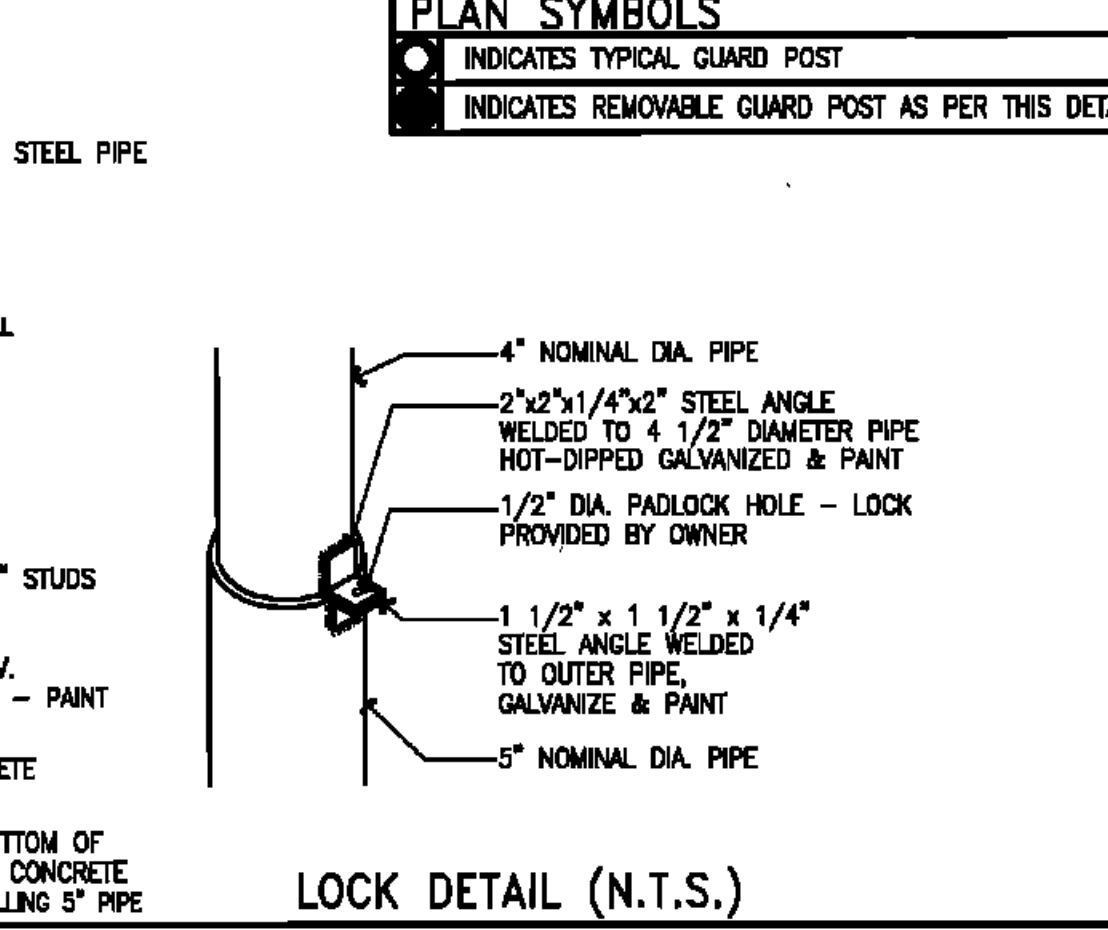
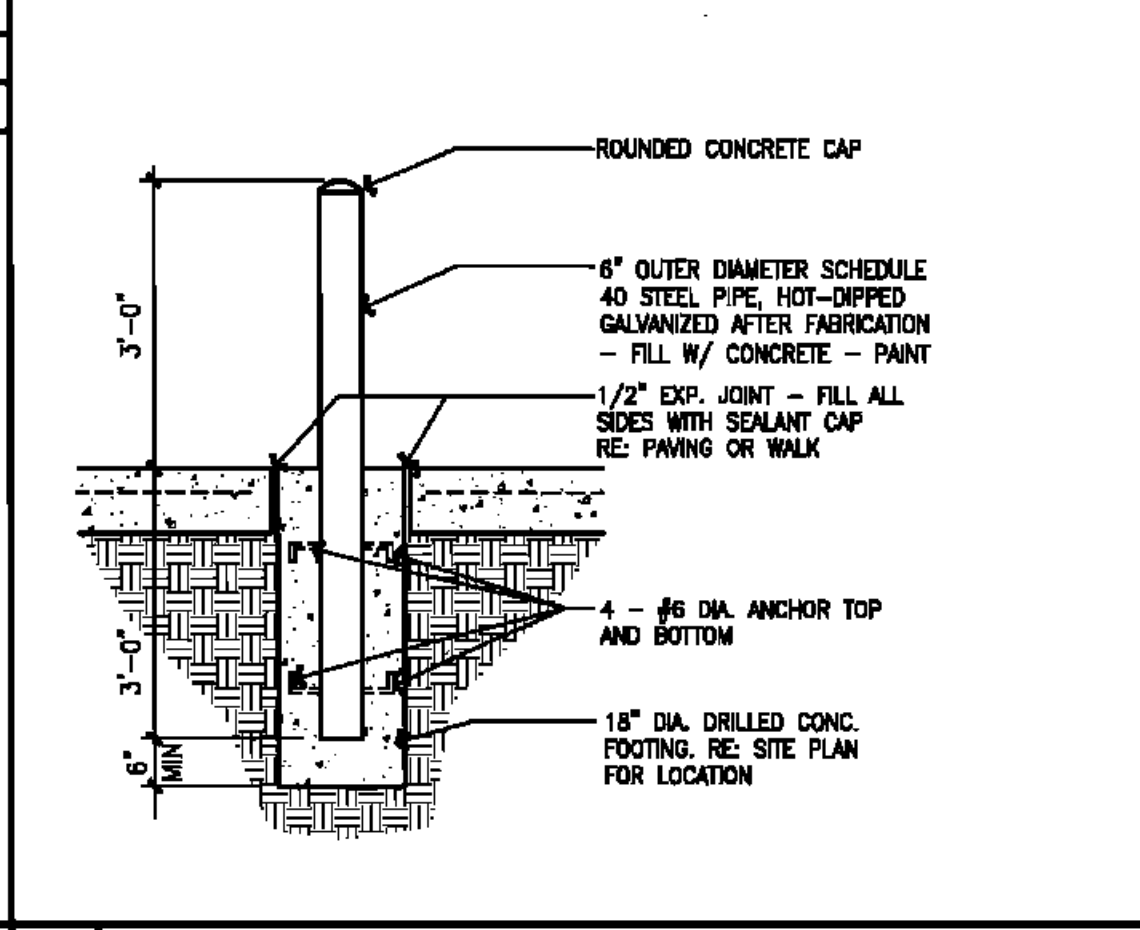
16 CURB MARKING 1" = 1'-0"



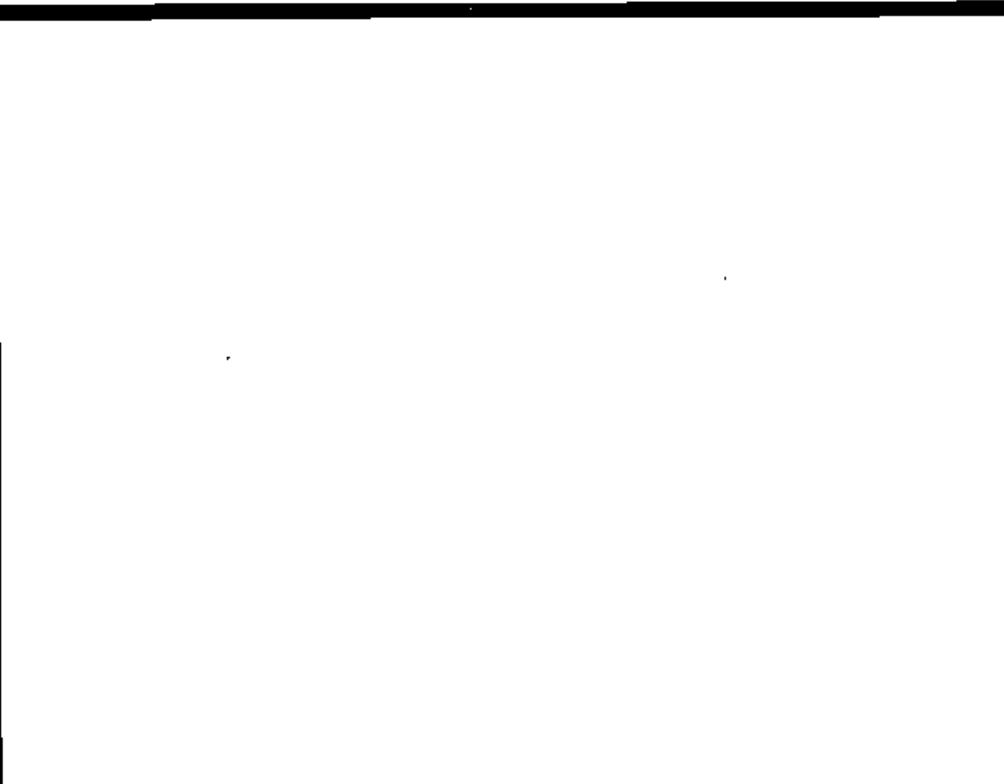
17 DOC BUMPER DETAIL 1 1/2" = 1'-0"



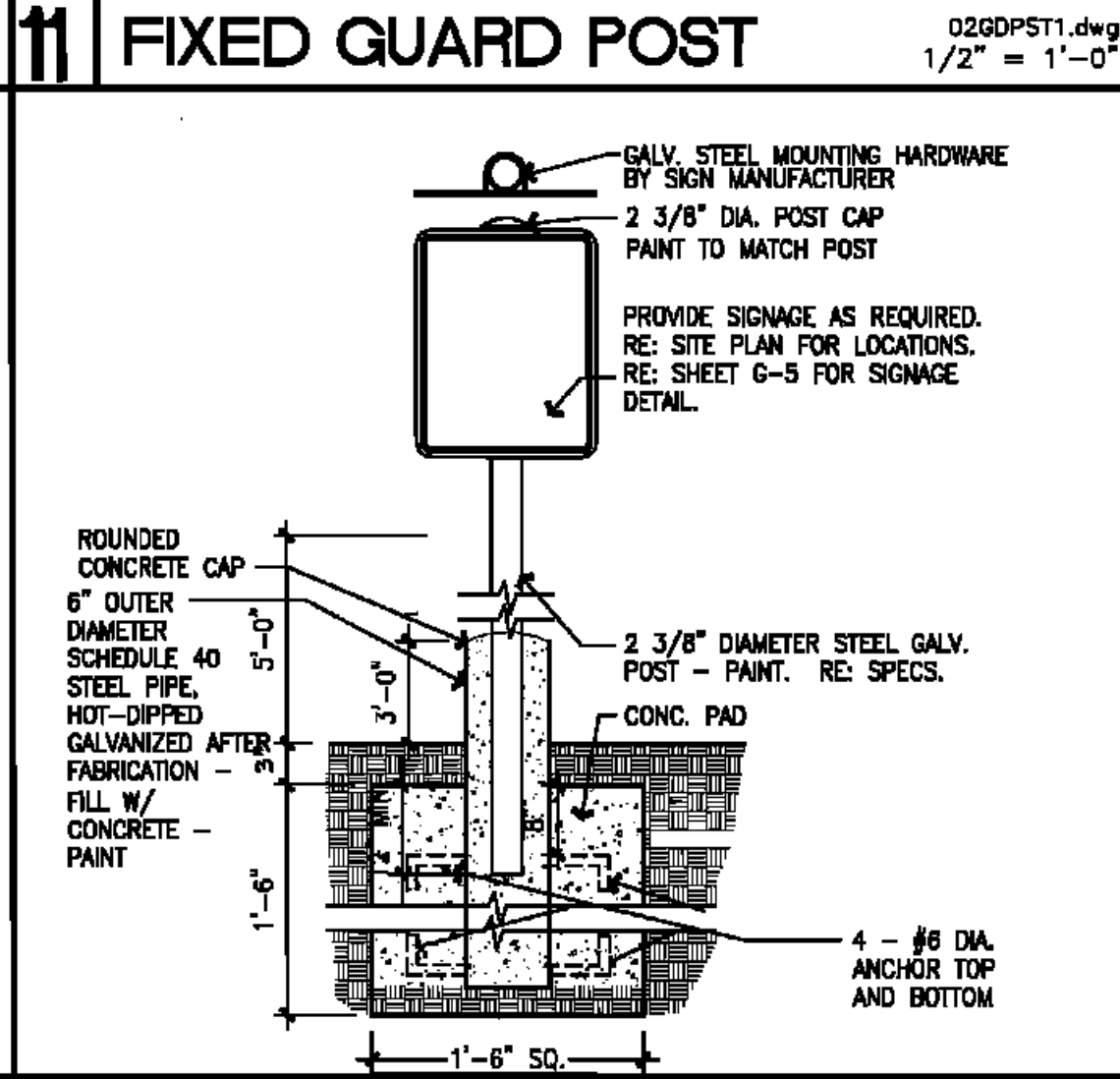
18 CONC. WHEEL STOP 1" = 1'-0"



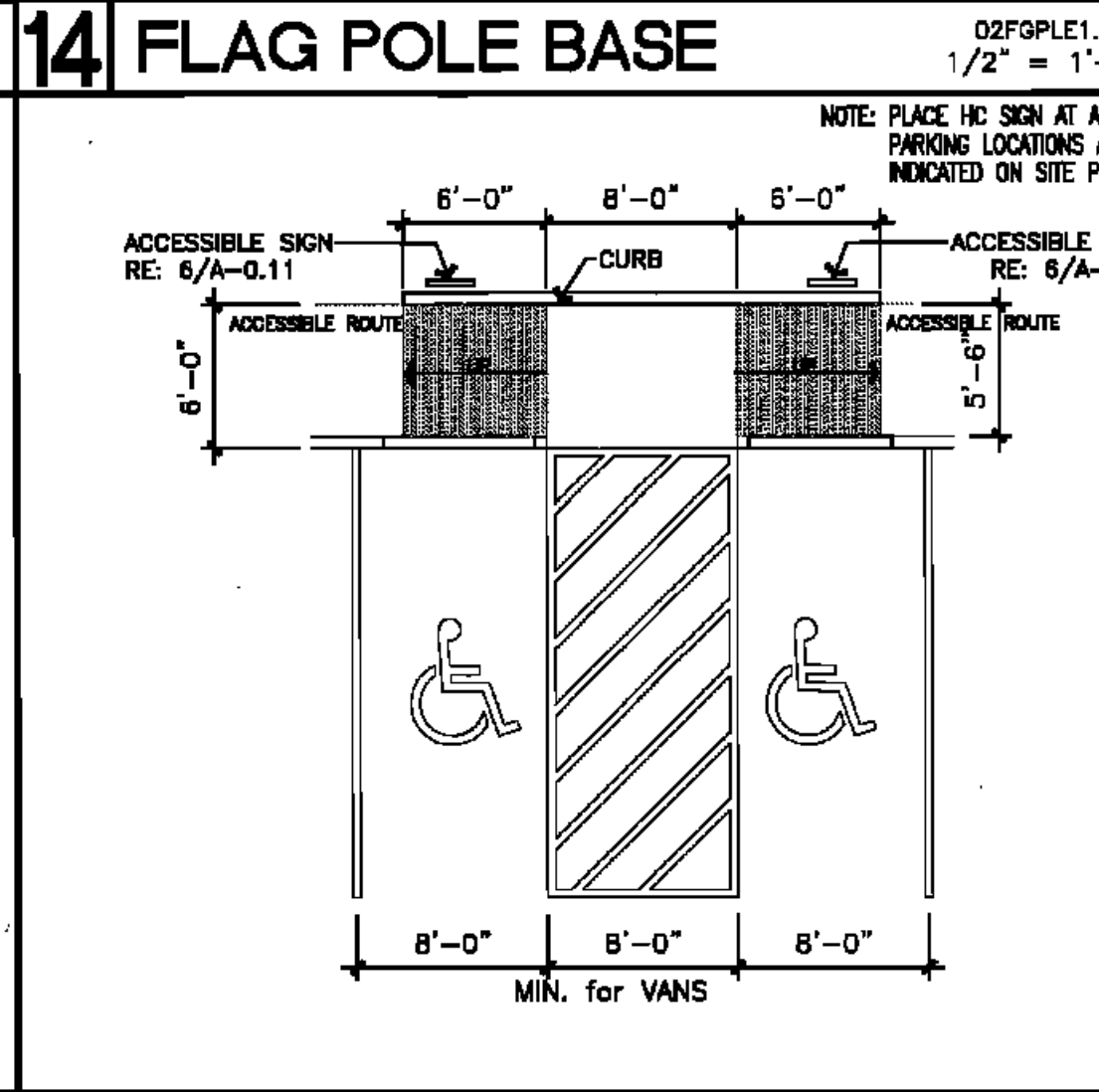
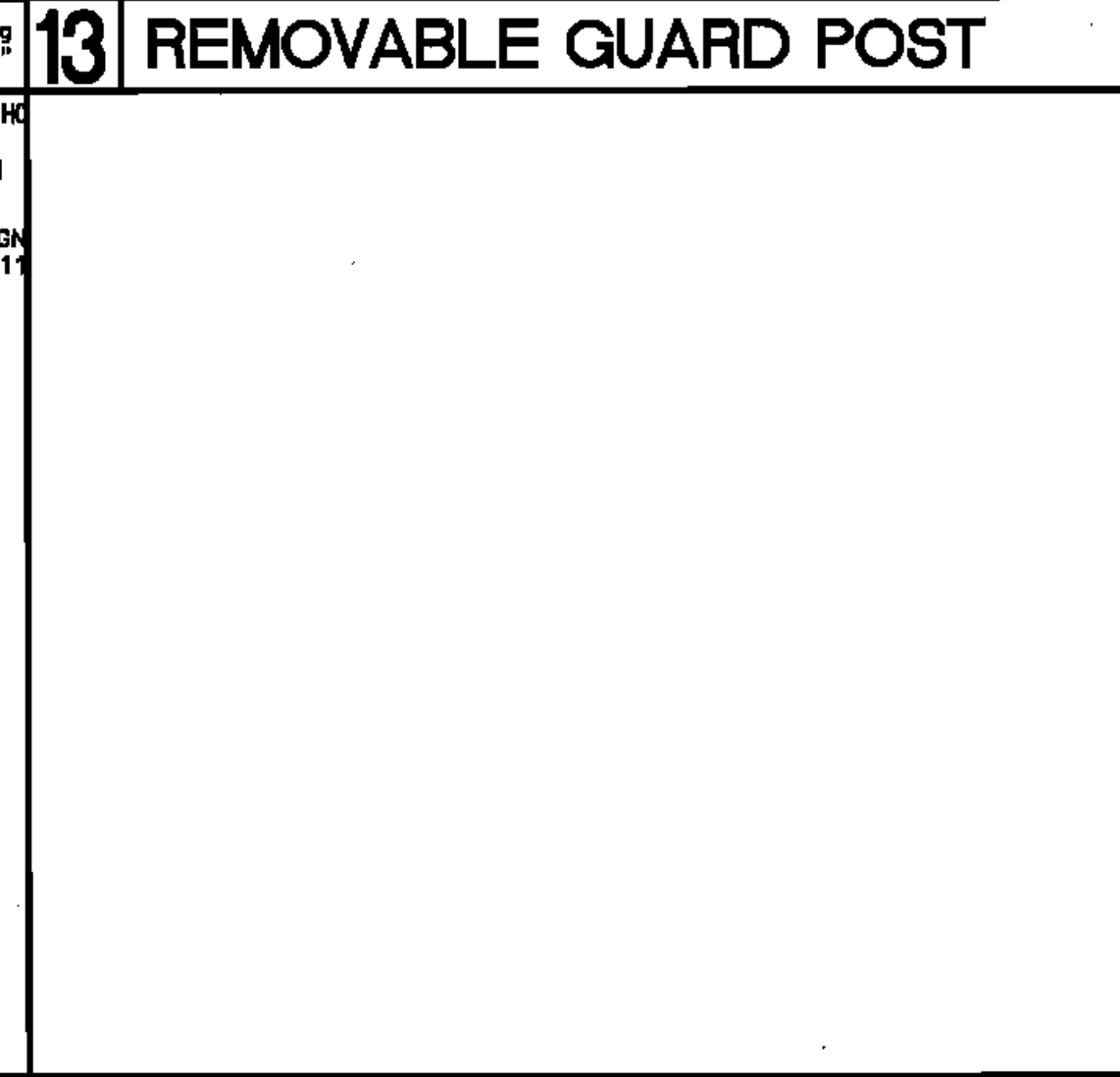
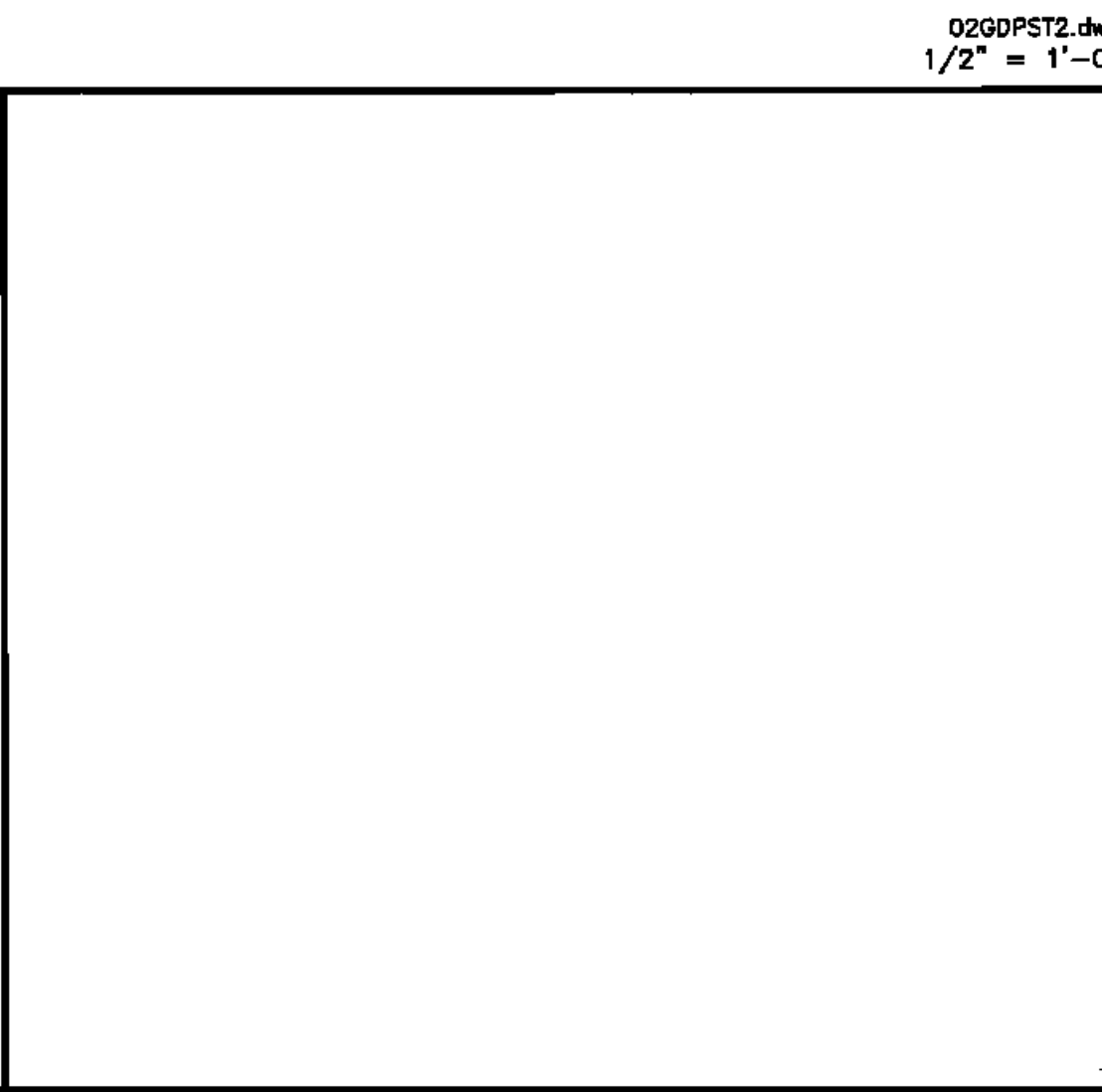
19 FLAG POLE BASE 1/2" = 1'-0"



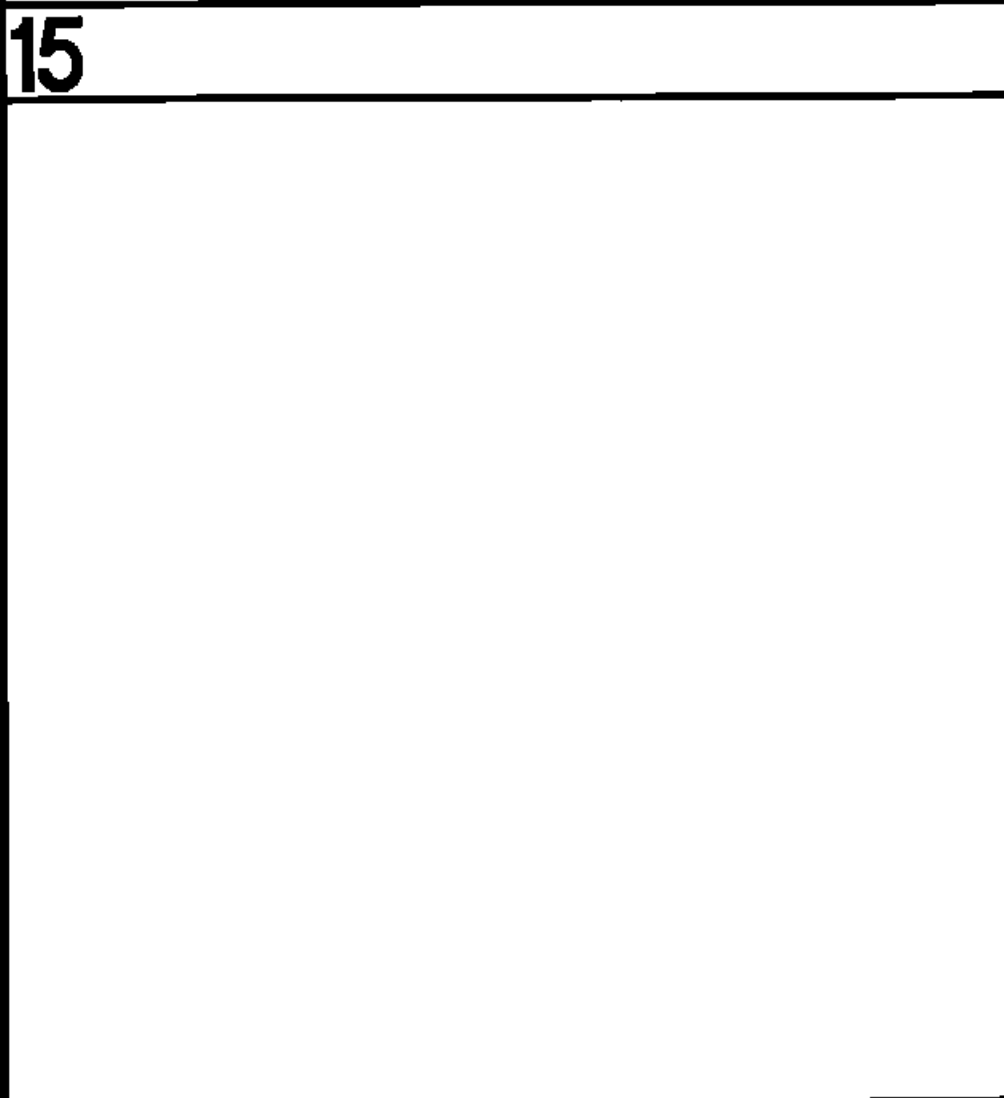
20 CONC. WHEEL STOP 1" = 1'-0"



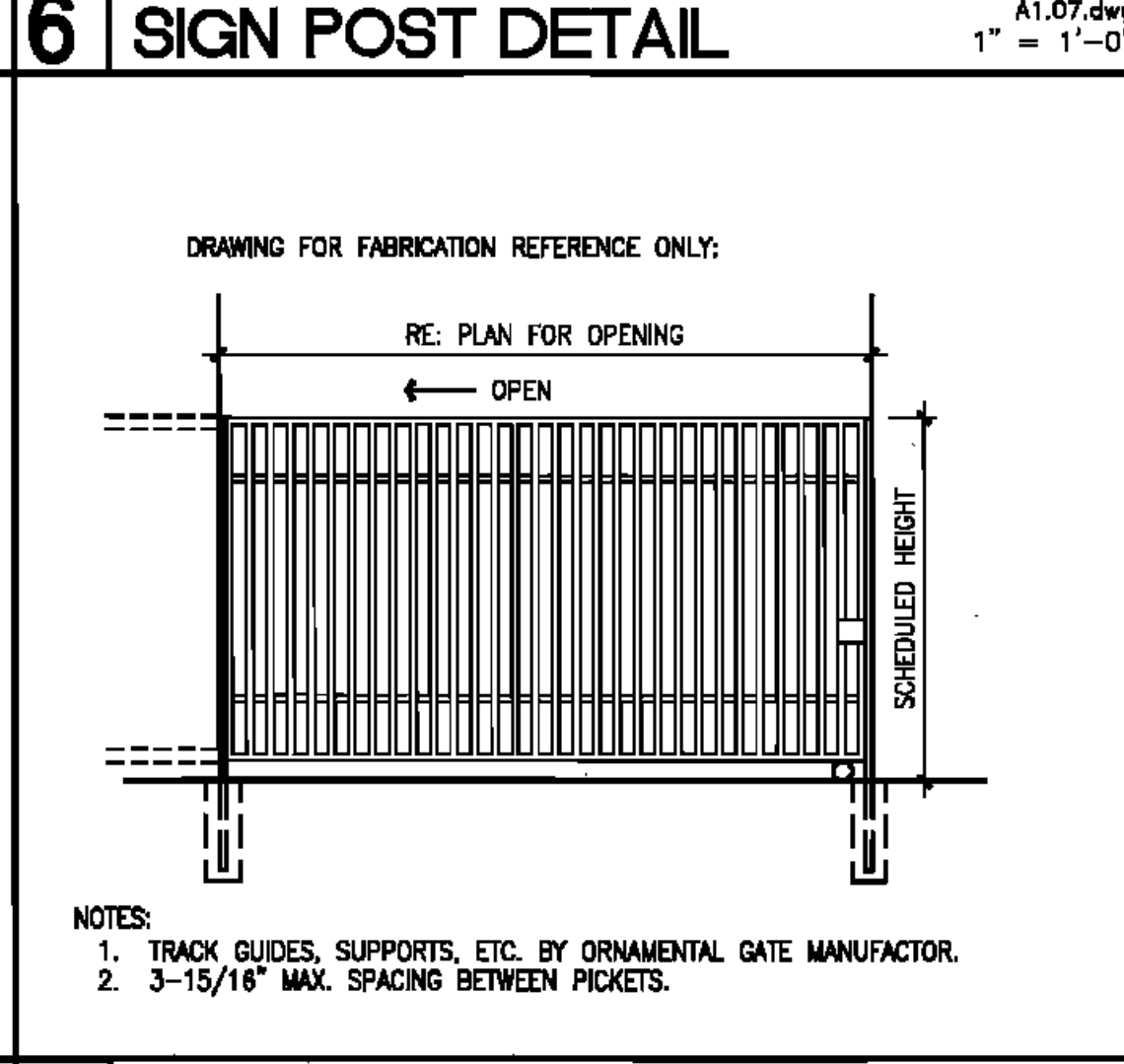
11 FIXED GUARD POST 1/2" = 1'-0"



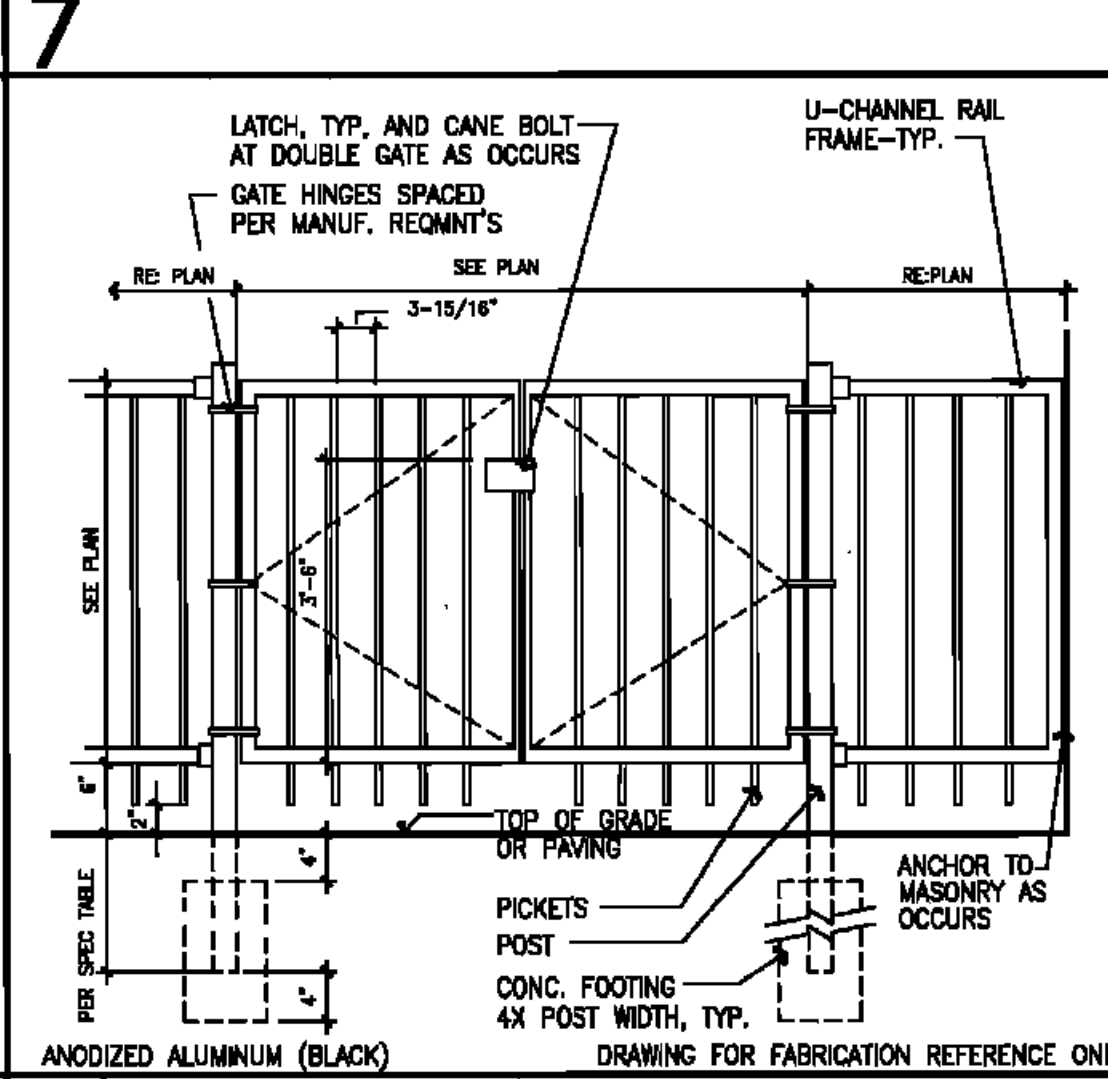
14 FLAG POLE BASE 1/2" = 1'-0"



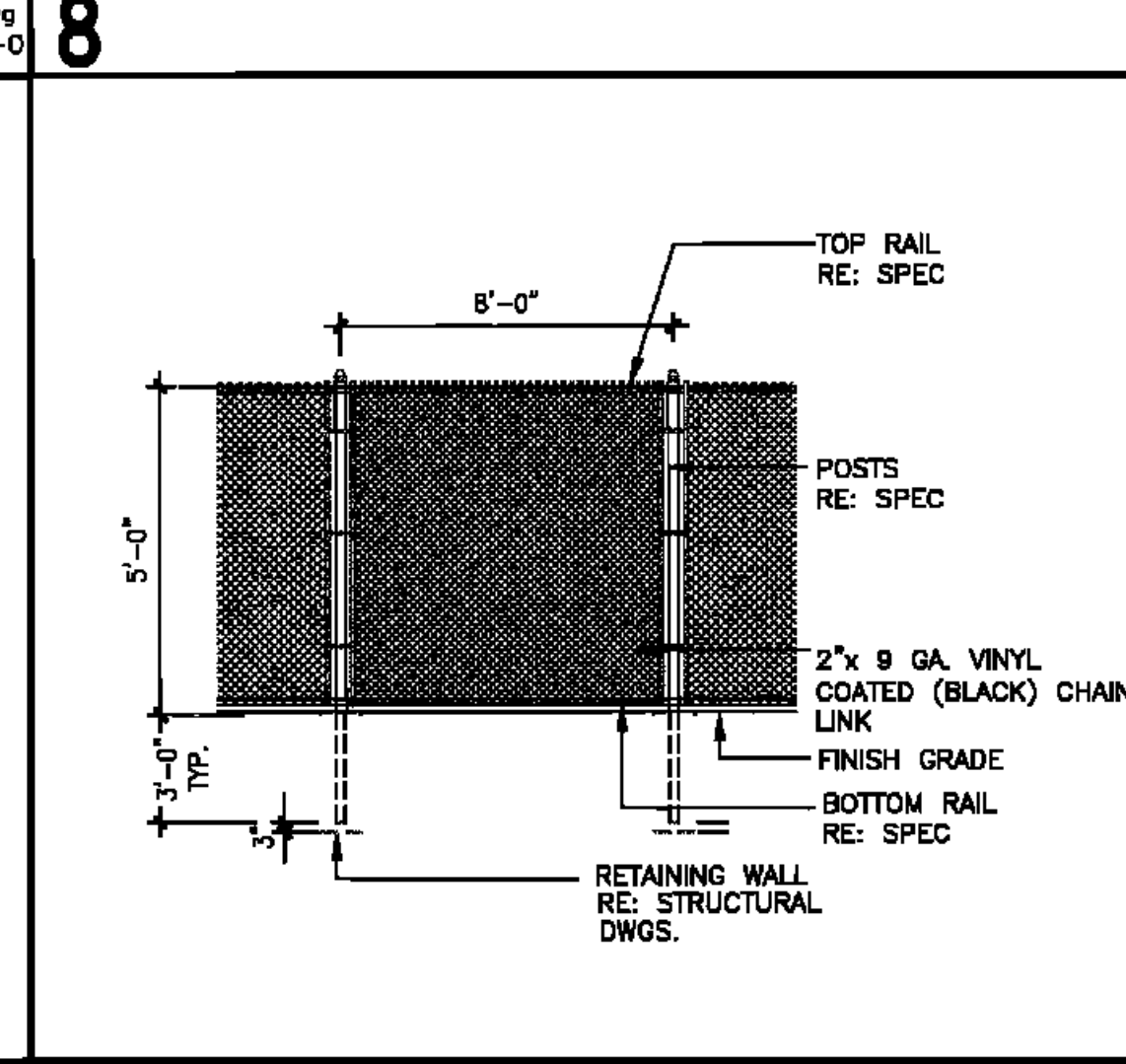
15 ACCESSIBLE STRIPING 1/8" = 1'-0"



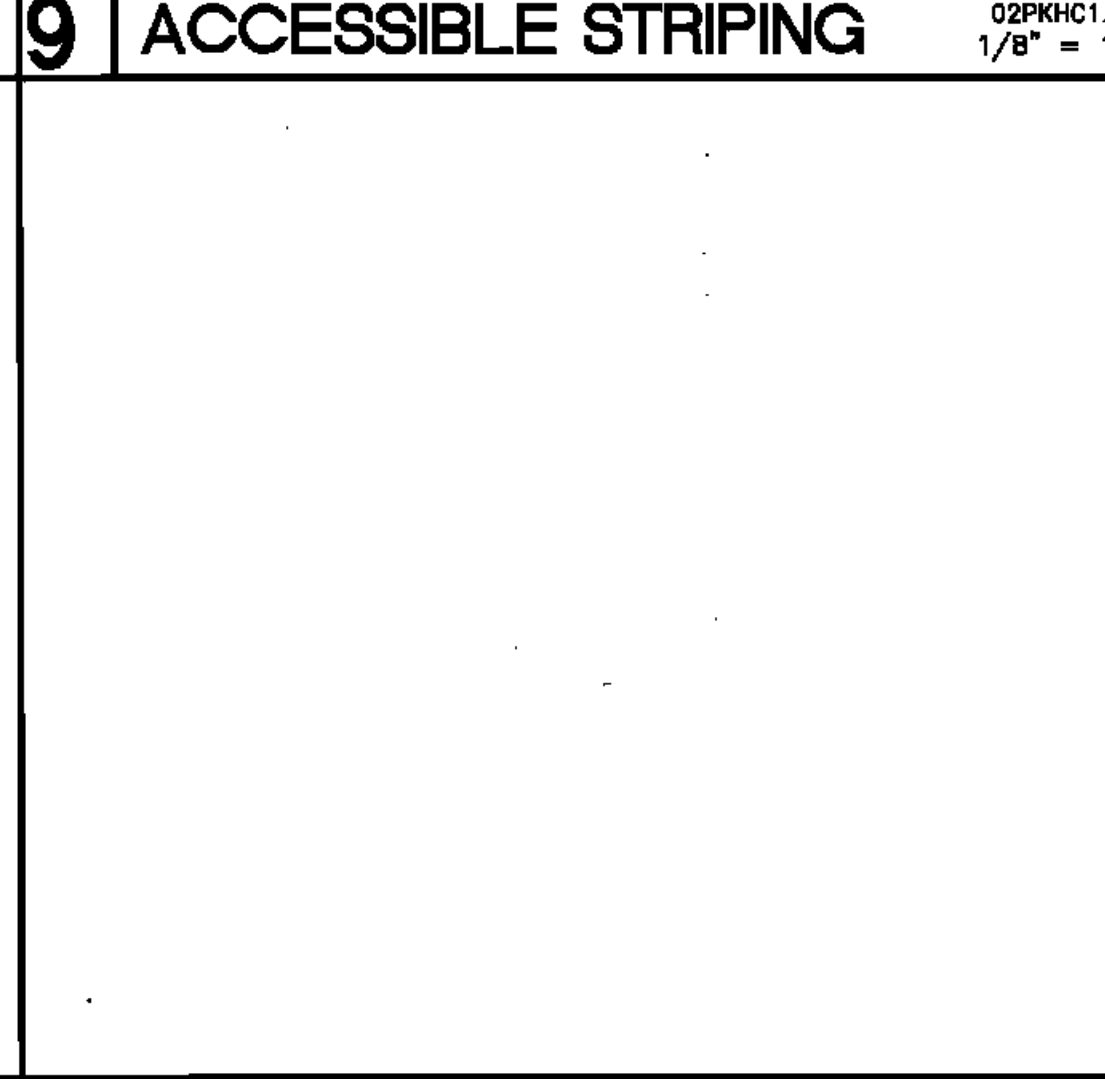
6 SIGN POST DETAIL 1" = 1'-0"



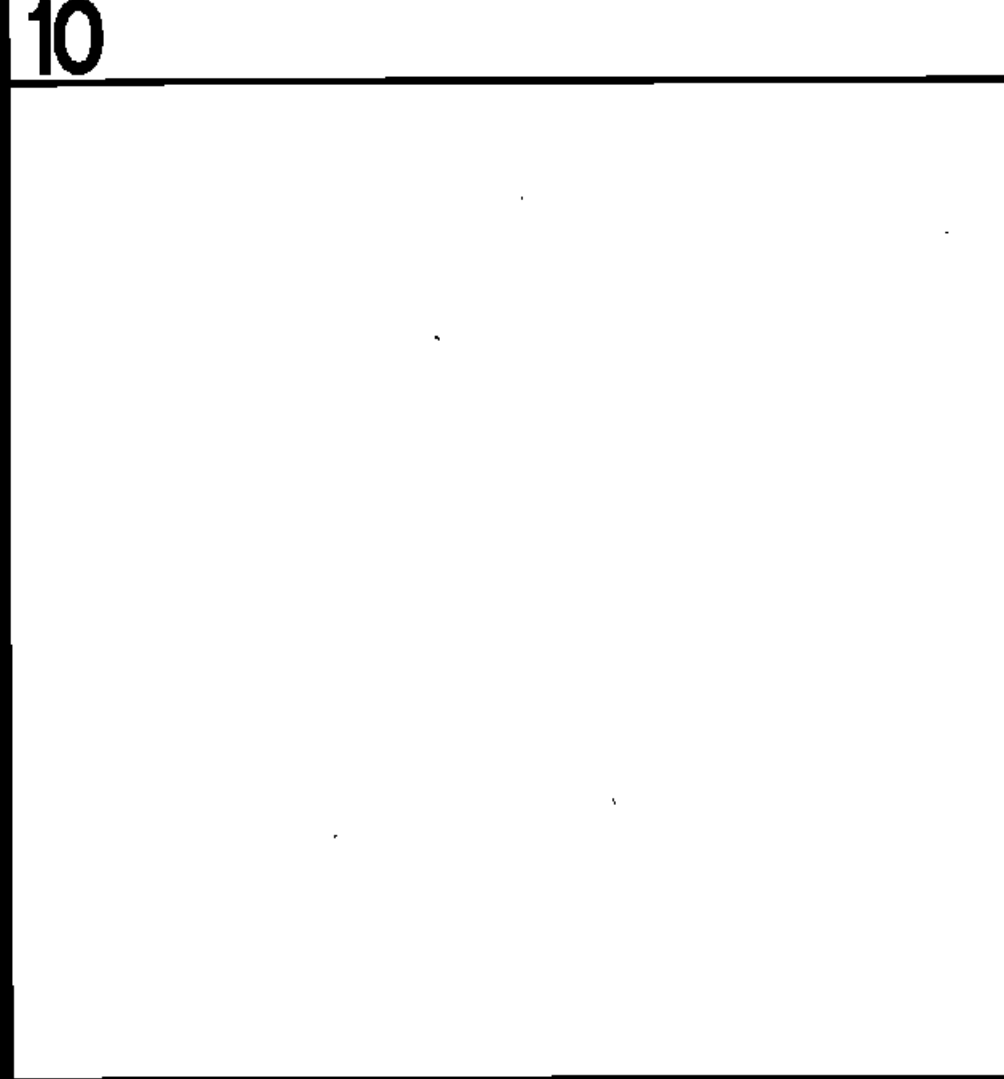
7 DECORATIVE GATE + FENCE 3/4" = 1'-0"



8 TYP. CHAIN LINK FENCE 1" = 1'-0"



9 ACCESSIBLE STRIPING 1/8" = 1'-0"



10 ACCESSIBLE STRIPING 1/8" = 1'-0"



1 SERVICE YARD GATE 3/4" = 1'-0"



2 DECORATIVE GATE + FENCE 3/4" = 1'-0"



3 TYP. CHAIN LINK FENCE 1" = 1'-0"



4 REMOVEABLE BOLLARD 1" = 1'-0"



5 ACCESSIBLE STRIPING 1/8" = 1'-0"